

SCHEDULE OF QUANTITIES

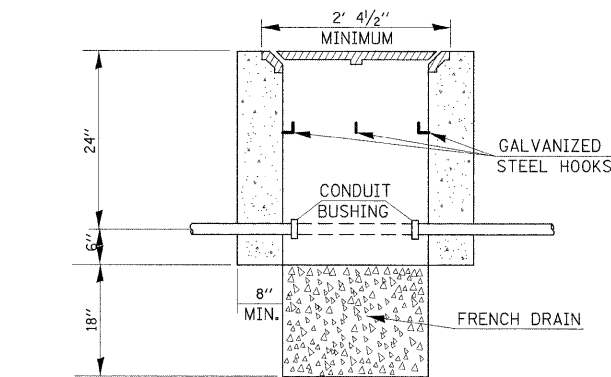
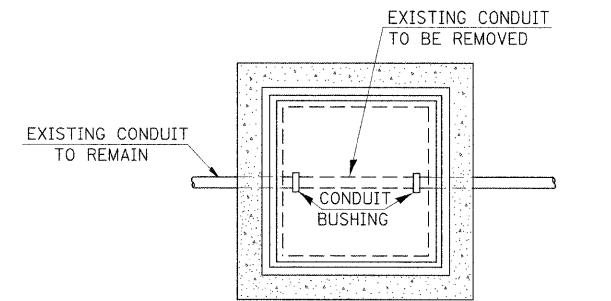
CODE NO	ITEM	UNIT	TOTAL QUANTITIES
80300100	LOCATING UNDERGROUND CABLE	FOOT	235
81018500	CONDUIT PUSHED, 2" DIA., GALVANIZED STEEL	FOOT	65
81012500	CONDUIT IN TRENCH, 1 1/2" DIA., PVC	FOOT	210
81012600	CONDUIT IN TRENCH, 2" DIA., PVC	FOOT	15
81400700	HANDHOLE, PORTLAND CEMENT CONCRETE	EACH	2
87800415	UNIT DUCT, 600V, 2-1C NO.6, 1/C NO.8 GROUND, (XLP-TYPE USE), 1" DIA. POLYETHYLENE	FOOT	250
81603030	CONCRETE FOUNDATION, TYPE E 36-INCH DIAMETER	FOOT	13
89000100	TEMPORARY TRAFFIC SIGNAL INSTALLATION	EACH	1
89501250	RELOCATE EXISTING TRAFFIC SIGNAL EQUIPMENT	EACH	1
89502350	REMOVE AND REINSTALL ELECTRIC CABLE FROM CONDUIT	FOOT	2720
89502380	REMOVE EXISTING HANDHOLE	EACH	2
89502385	REMOVE EXISTING CONCRETE FOUNDATION	EACH	1
X0325541	REMOVE EXISTING LIGHTING SYSTEM	L SUM	1
X8570100	DISCONNECT SWITCH	EACH	1
XX005944	FLOOD LIGHT, GROUND MOUNTED, 175 WATTS, METAL HALIDE	EACH	4

TRAFFIC SIGNALS LEGEND

GSC	GALVANIZED STEEL CONDUIT
PVCC	POLYVINYL CHLORIDE CONDUIT
	EXISTING VIDEO VEHICLE DETECTOR
	EXISTING TRAFFIC SIGNAL MAST ARM
	EXISTING HANDHOLE
	EXISTING DOUBLE HANDHOLE
	EXISTING CONTROLLER
	EXISTING STREET NAME SIGN/TRAFFIC SIGN
	EXISTING SERVICE INSTALLATION
	EXISTING GALVANIZED STEEL CONDUIT
	EXISTING SIGN
	EXISTING SIGN LIGHTS
	PROPOSED VIDEO VEHICLE DETECTOR
	PROPOSED SIGNAL HEAD WITH BACKPLATE, MAST ARM MOUNTED
	PROPOSED HANDHOLE
	PROPOSED CONDUIT: "T" TRENCH, "P" PUSH, SIZE SPECIFIED
	PROPOSED STREET NAME SIGN/TRAFFIC SIGN
	PROPOSED SIGN
	PROPOSED SIGN LIGHTS

ELECTRICAL GENERAL NOTES

1. THE LOCATION OF MAST ARM SUPPORTS SHALL BE APPROVED BY THE ENGINEER BEFORE FOUNDATIONS ARE CONSTRUCTED. MAST ARM POLES SHALL BE LOCATED A MINIMUM OF 10 FEET FROM THE EDGE OF PAVEMENT OR 2 FEET FROM THE EDGE OF SHOULDER, WHICHEVER DISTANCE IS GREATER. IN CURBED SECTIONS, THE MAST ARM POLES SHALL BE LOCATED A MINIMUM OF 10 FEET FROM THE EDGE OF PAVEMENT OR 2 FEET FROM THE EDGE OF SHOULDER, WHICHEVER DISTANCE IS GREATER. IN CURBED SECTIONS, THE MAST ARM POLES SHALL BE LOCATED A MINIMUM OF 5 FEET FROM THE FACE OF THE CURB. THESE DISTANCES ARE TO THE NEAR FACE OF THE MAST ARM POLE.
2. ALL TRAFFIC SIGNAL CABLES SHALL BE #14 AWG STRANDED COPPER UNLESS OTHERWISE SPECIFIED. TERMINAL ENDS SHALL HAVE CRIMPED-ON RING TONGUE CONNECTORS.
3. ALL HANDHOLES SHALL BE CAST-IN-PLACE PORTLAND CEMENT CONCRETE (PER ARTICLE 814.03(A)). THE CAST IN PLACE LEGEND IN THE COVER SHALL BE "TRAFFIC SIGNALS". SLOPE HANDHOLE COVERS TO MATCH PROPOSED GRADE ELEVATIONS.
4. LOCATE UNDERGROUND CABLES PRIOR TO ATTEMPTING TO CONSTRUCT THIS PROJECT.
5. THE DIMENSIONS OF THE CONCRETE FOUNDATION FOR THE S-W CORNER MAST ARM SUPPORT POLE ARE 12'-6" DEEP X 36 IN. DIA.
6. ABANDON EXISTING CONDUIT AND CABLES IN PLACE.

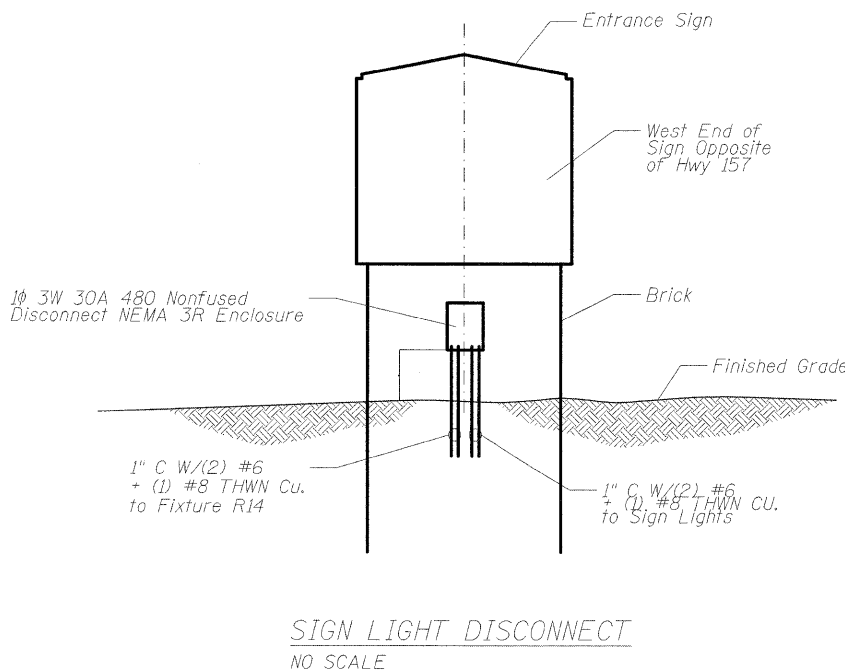
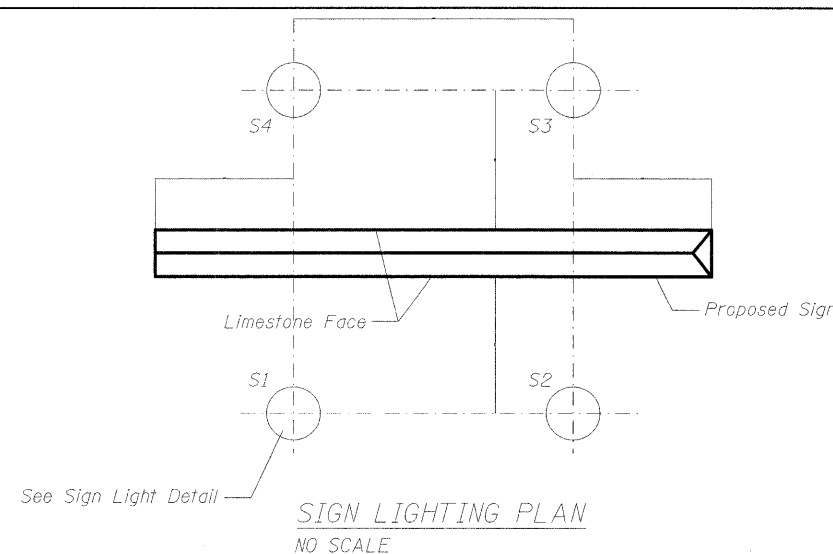
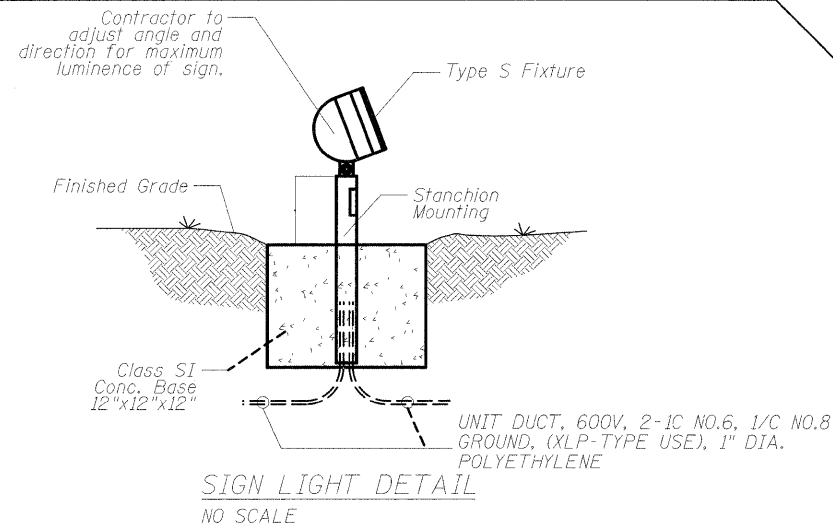


DETAIL A HANDHOLE TO INTERCEPT EXISTING CONDUIT*

* NOT A PAY ITEM

NOTES:

1. REMOVAL OF EXISTING CONDUIT FROM THE HANDHOLE AND THE INSTALLATION OF THE CONDUIT BUSHING SHALL BE INCIDENTAL TO THE HANDHOLE.
2. THE CONTRACTOR SHALL BE PAID TO LOCATE THE CONDUIT UNDER OTHER PROVISIONS OF THIS CONTRACT. SEE LOCATING UNDERGROUND CABLE IN THE STANDARD SPECIFICATIONS.



FILE NAME =	USER NAME = preston	DESIGNED -	REVISED -
ca:\projects\ed\1808\electrical\tpin\1808.dgn		DRAWN -	REVISED -
	PLOT SCALE = 28.0000 "/td> <td>CHECKED -</td> <td>REVISED -</td>	CHECKED -	REVISED -
	PLOT DATE = 7/9/2008	DATE -	REVISED -

STATE OF ILLINOIS
DEPARTMENT OF TRANSPORTATION

SCHEDULE OF QUANTITIES, TRAFFIC SIGNALS LEGEND,
ELECTRICAL GENERAL NOTES & DETAIL

SCALE: _____ SHEET NO. ___ OF ___ SHEETS STA. _____ TO STA. _____

F.A.P. RTE.	SECTION	COUNTY	TOTAL SHEETS	SHEET NO.
592	65I-TS-1	MADISON	50	31
				76B41
FED. ROAD DIST. NO. _ [ILLINOIS] FED. AID PROJECT				