

F.A.P. RTE.	SECTION	COUNTY	TOTAL SHEETS	SHEET NO.
VAB	**	***	9	1

** DIST 8 DEEP WELLS 2009-1
 *** MADISON & ST. CLAIR

INDEX OF SHEETS

- 1 COVER SHEET, STANDARDS, ADT
- 2 GENERAL NOTES
- 3 SUMMARY OF QUANTITIES
- 4 LOCATION NO. 1: SITE PLAN VENICE WELLS (IL RTE 3)
- 5 LOCATION NO. 2: SITE PLAN 25TH STREET WELLS
- 6 LOCATION NO. 3: SITE PLAN MISSOURI AVENUE WELLS
- 7 LOCATION NO. 4: SITE PLAN TRI-LEVEL WELLS
- 8 TYPICAL WELL DETAILS LOCATION 1, 2 & 4
- 9 TYPICAL WELL DETAILS LOCATION 3

STATE OF ILLINOIS
 DEPARTMENT OF TRANSPORTATION
 DIVISION OF HIGHWAYS

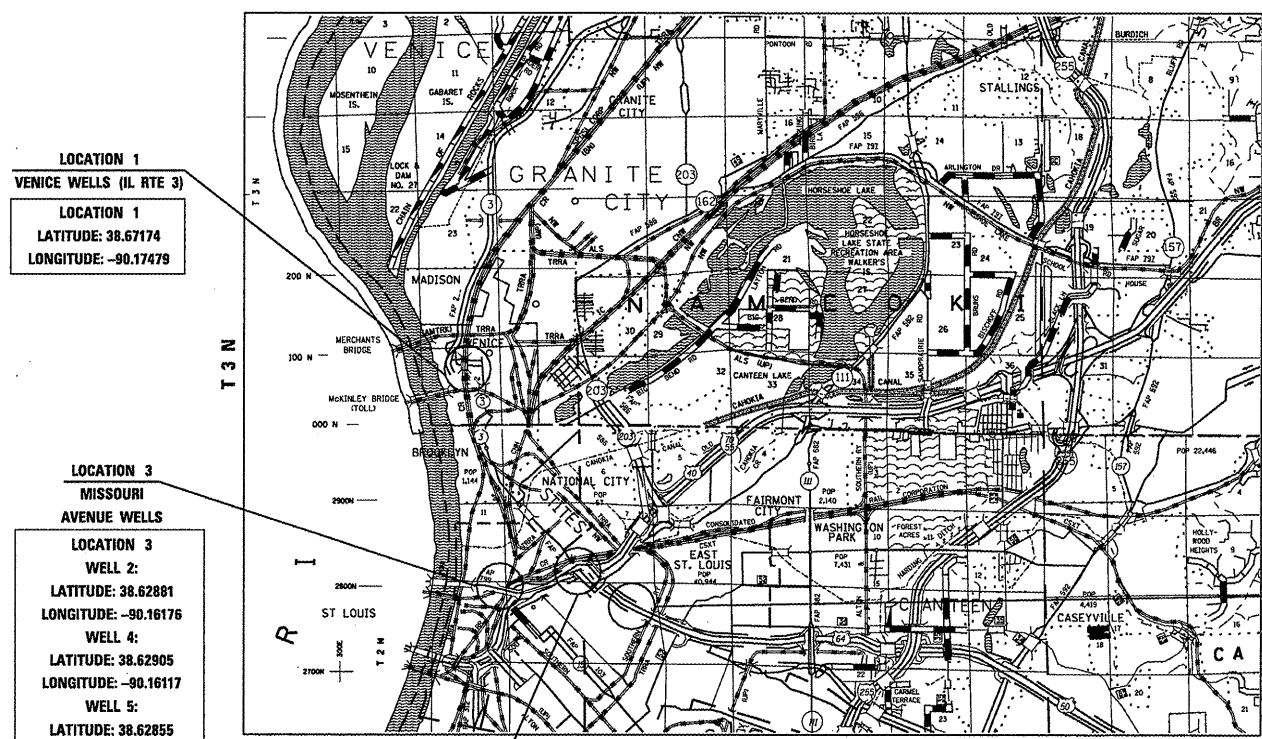
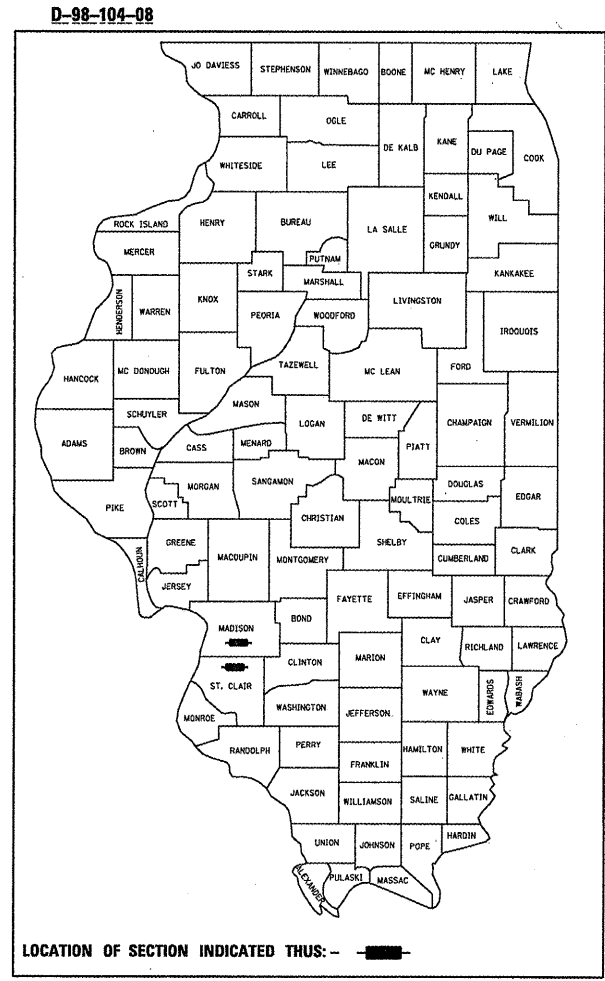
**PROPOSED
 HIGHWAY PLANS**

VARIOUS ROUTES
 SECTION DIST 8 DEEP WELLS 2009-1

MADISON AND ST. CLAIR COUNTIES

C-98-099-08

STANDARDS
 701406-04
 701601-05
 701901

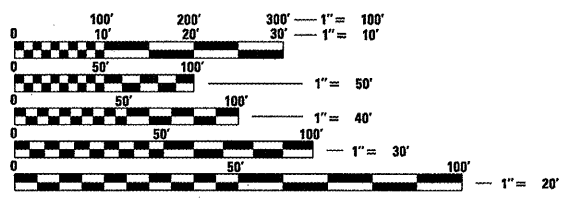


LOCATION 1
 VENICE WELLS (IL RTE 3)
 LOCATION 1
 LATITUDE: 38.67174
 LONGITUDE: -90.17479

LOCATION 3
 MISSOURI AVENUE WELLS
 LOCATION 3
 WELL 2:
 LATITUDE: 38.62881
 LONGITUDE: -90.16176
 WELL 4:
 LATITUDE: 38.62905
 LONGITUDE: -90.16117
 WELL 5:
 LATITUDE: 38.62855
 LONGITUDE: -90.16222
 WELL 6:
 LATITUDE: 38.78946
 LONGITUDE: -90.16568

LOCATION 4
 TRI-LEVEL WELLS
 LOCATION 4
 LATITUDE: 38.6335
 LONGITUDE: -90.1451

LOCATION 2
 25TH STREET WELLS
 LOCATION 2
 LATITUDE: 38.62752
 LONGITUDE: -90.13820

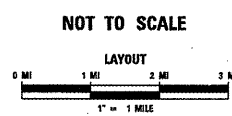


FULL SIZE PLANS HAVE BEEN PREPARED USING STANDARD ENGINEERING SCALES. REDUCED SIZED PLANS WILL NOT CONFORM TO STANDARD SCALES. IN MAKING MEASUREMENTS ON REDUCED PLANS, THE ABOVE SCALES MAY BE USED.

J.U.L.I.E.
 JOINT UTILITY LOCATION INFORMATION FOR EXCAVATION
 1-800-892-0123
 OR 811

PROJECT ENGINEER: PATTI LEBEAU (618)346-3179
 PROJECT MANAGER: CHERYL KEPLAR (618)346-3186

CONTRACT NO. 76C23



TRAFFIC DATA:
 LOCATION 1: VENICE (IL ROUTE 3) = 6,200 (2007)
 LOCATION 2: EB I-64 @ 25TH STREET = 3,900 (2007)
 ST. CLAIR AVENUE = 4,150 (2007)
 RAMP C = 950 (2007)
 LOCATION 3: MISSOURI AVENUE = 2,900 (2007)
 LOCATION 4: TRI-LEVEL & 25TH STREET = 68,800 (2007)

STATE OF ILLINOIS
 DEPARTMENT OF TRANSPORTATION
 DIVISION OF HIGHWAYS

SUBMITTED *June 23, 2008*
Alan C. Jamie
 DEPUTY DIRECTOR OF HIGHWAYS, REGION 5 ENGINEER

August 15, 2008
Eric Z. Harn
 INTERIM ENGINEER OF DESIGN AND ENVIRONMENT

August 15, 2008
Christine M. Reed
 DIRECTOR OF HIGHWAYS, CHIEF ENGINEER

PRINTED BY THE AUTHORITY
 OF THE STATE OF ILLINOIS

GENERAL NOTES

1. THE STANDARDS AND REVISION NUMBERS LISTED SHALL APPLY TO THIS PROJECT.
2. WHERE SECTION OR SUB-SECTION MONUMENTS ARE ENCOUNTERED, THE ENGINEER SHALL BE NOTIFIED BEFORE SUCH MONUMENTS ARE REMOVED. THE CONTRACTOR SHALL PROTECT AND CAREFULLY PRESERVE ALL PROPERTY MARKERS AND MONUMENTS UNTIL THE OWNER, AN AUTHORIZED SURVEYOR OR AGENT HAS WITNESSED OR OTHERWISE REFERENCED THE LOCATION.
3. ILLINOIS STATE LAW REQUIRES A 48-HOUR NOTICE BE GIVEN TO UTILITY BEFORE DIGGING. FIELD MARKING OF FACILITIES MAY BE OBTAINED BY CONTACTING J.U.L.I.E. OR FOR NON-MEMBERS, THE UTILITY COMPANY DIRECTLY. AGENCIES KNOWN TO HAVE FACILITIES IN THE AREA OF THIS PROJECT ARE:

LOCATION 1: (VENICE WELLS)

- * AMEREN IP
- * AMEREN IP (GAS)
- * AT&T CORPORATION
- * AT&T ILLINOIS
- * CENTERPOINT ENERGY
- * CHARTER COMMUNICATIONS, INC.
- * CONSOLIDATED COMMUNICATIONS
- * EXPLORER PIPELINE COMPANY
- * ILLINOIS AMERICAN WATER CO.
- * LEVEL 3 COMMUNICATIONS
- * MCLEOD USE TELECOMMUNICATIONS, INC.
- * NETWORKS, 360
- * QWEST COMMUNICATIONS
- * SPRINT COMMUNICATIONS CO.
- * VERIZON BUSINESS

LOCATION 2: (25TH ST. WELLS)

- * AMEREN IP
- * AMEREN-UE
- * AT&T ILLINOIS
- * CITY OF EAST ST. LOUIS
- * ILLINOIS AMERICAN WATER CO.
- * MCLEOD USA TELECOMMUNICATIONS, INC.

LOCATION 3: (MISSOURI AVE WELLS)

- * AMEREN IP
- * AMEREN-UE
- * AT&T ILLINOIS
- * CHARTER COMMUNICATIONS, INC.
- * CITY OF EAST ST. LOUIS
- * ILLINOIS AMERICAN WATER CO.
- * LEVEL 3 COMMUNICATIONS, LLC
- * LIGHTCORE
- * MCLEOD USA TELECOMMUNICATIONS, INC.
- * NETWORKS, 360
- * QWEST COMMUNICATIONS
- * VERIZON BUSINESS

LOCATION 4: (TRI-LEVEL WELLS)

- * AMEREN IP
- * AMEREN-UE
- * AT&T ILLINOIS
- * CITY OF EAST ST. LOUIS
- * ILLINOIS AMERICAN WATER CO.
- * MCLEOD USA TELECOMMUNICATIONS, INC.
- * QWEST COMMUNICATIONS

(MEMBERS OF J.U.L.I.E. (800) 892-0123 ARE INDICATED BY *. NON-J.U.L.I.E. MEMBERS MUST BE NOTIFIED INDIVIDUALLY).

4. ALL WELLS REQUIRE SEALING OF MISCELLANEOUS OPENINGS IN THE WELL HEAD TO PREVENT LEAKAGE DURING TREATMENT OPERATIONS. THIS WORK WILL NOT BE PAID FOR SEPARATELY, BUT WILL BE INCLUDED IN COST OF THE SPECIFIED TREATMENT METHODS.
5. THE DEPARTMENT RESERVES THE RIGHT TO NOTIFY THE CONTRACTOR TO CHANGE THE SEQUENCE OF WELL CLEANING IF NEEDED TO ENSURE PROPER DEWATERING NEEDS FOR THE DEPARTMENT.

•• DIST 8 DEEP WELLS 2009-1
 ••• MADISON & ST. CLAIR

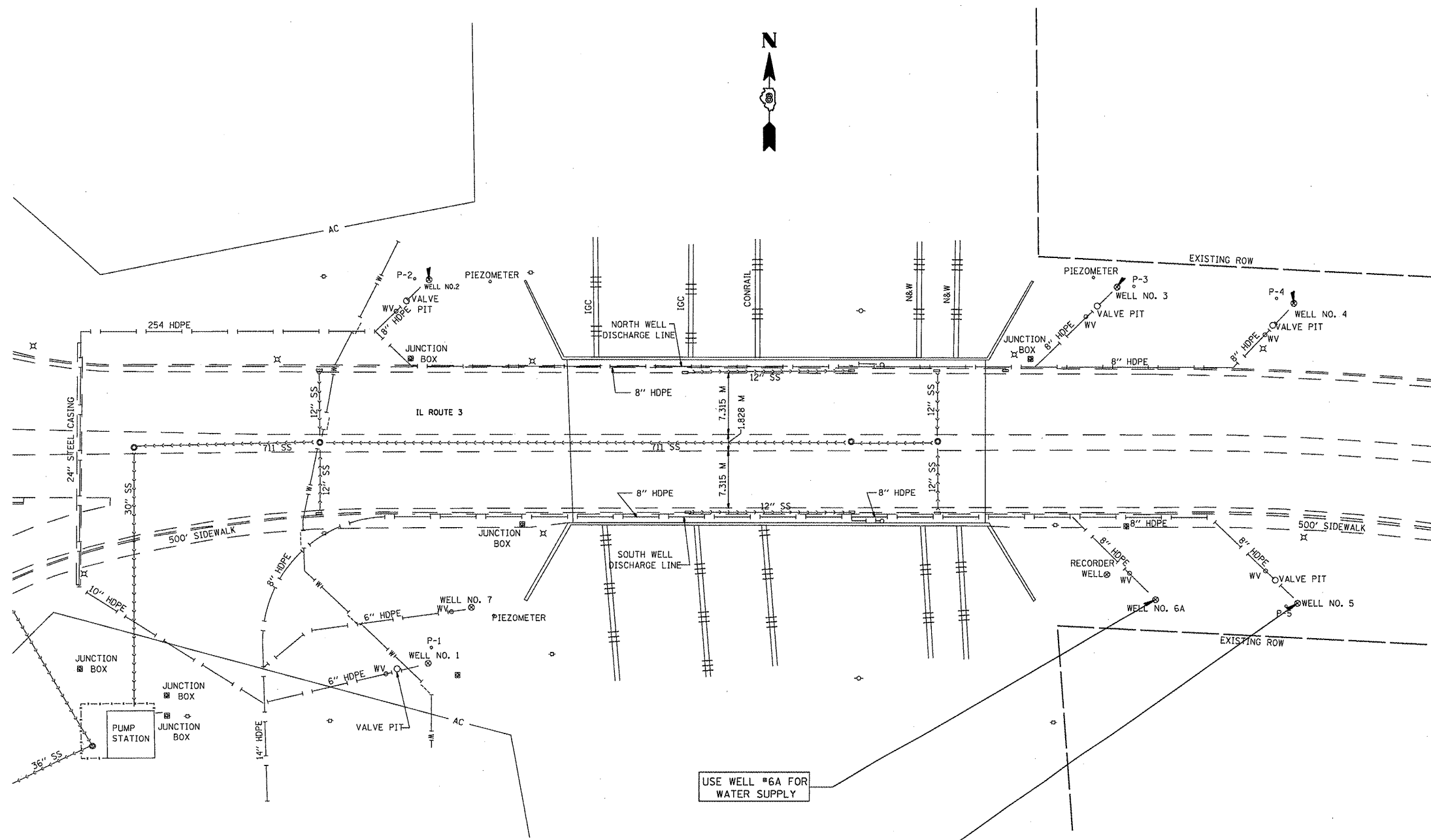
FILE NAME #	USER NAME # *USER*	DESIGNED - ---	REVISED - ---	STATE OF ILLINOIS DEPARTMENT OF TRANSPORTATION	GENERAL NOTES	F.A.I. RTE.	SECTION	COUNTY	TOTAL SHEETS	SHEET NO.	
*FILE#		DRAWN - ---	REVISED - ---			VAR	••	•••	9	2	
	PLOT SCALE = *SCALE*	CHECKED - ---	REVISED - ---			CONTRACT NO. 76C23					
	PLOT DATE = *DATE*	DATE - -----	REVISED - ---			SCALE: _____ SHEET NO. ___ OF ___ SHEETS STA. _____ TO STA. _____ FED. ROAD DIST. NO. _____ ILLINOIS FED. AID PROJECT					

SUMMARY OF QUANTITIES

SUMMARY OF QUANTITIES			TOTAL QUANTITIES	CONSTRUCTION TYPE CODE Y007			
				100% STATE URBAN			
CODE NO	ITEM	UNIT		LOCATION 1 MADISON	LOCATION 2 ST. CLAIR	LOCATION 3 ST. CLAIR	LOCATION 4 ST. CLAIR
67100100	MOBILIZATION	L SUM	1	0.25	0.25	0.25	0.25
70100700	TRAFFIC CONTROL AND PROTECTION STANDARD 701406	L SUM	1				1
70102630	TRAFFIC CONTROL AND PROTECTION, STANDARD 701601	L SUM	1	0.50	0.50		
X0300358	ADDITIONAL TREATMENT NO. 1	EACH	10	1	1	4	4
X0300359	ADDITIONAL TREATMENT NO. 2	EACH	10	1	1	4	4
X0325850	SONAR-JET TREATMENT	EACH	2	1	1		
X0943700	WELL CHEMICAL TREATMENT	EACH	7			3	4
X0943705	WELL CHEMICAL TREATMENT, SPECIAL	EACH	1			1	

** DIST 8 DEEP WELLS 2009-1
 *** MADISON & ST. CLAIR

FILE NAME = #FILE#	USER NAME = #USER#	DESIGNED - ---	REVISED - ---	STATE OF ILLINOIS DEPARTMENT OF TRANSPORTATION	SUMMERAY OF QUANTITIES	F.A.I. RTE.	SECTION	COUNTY	TOTAL SHEETS	SHEET NO.
		DRAWN - ---	REVISED - ---			VAR	**	***	9	3
		PLDT SCALE = #SCALE#	CHECKED - ---						CONTRACT NO. 76C23	
		PLDT DATE = #DATE#	DATE - ---						FED. ROAD DIST. NO. - ILLINOIS FED. AID PROJECT	
				SCALE: _____ SHEET NO. ___ OF ___ SHEETS STA. _____ TO STA. _____						



USE WELL #6A FOR WATER SUPPLY

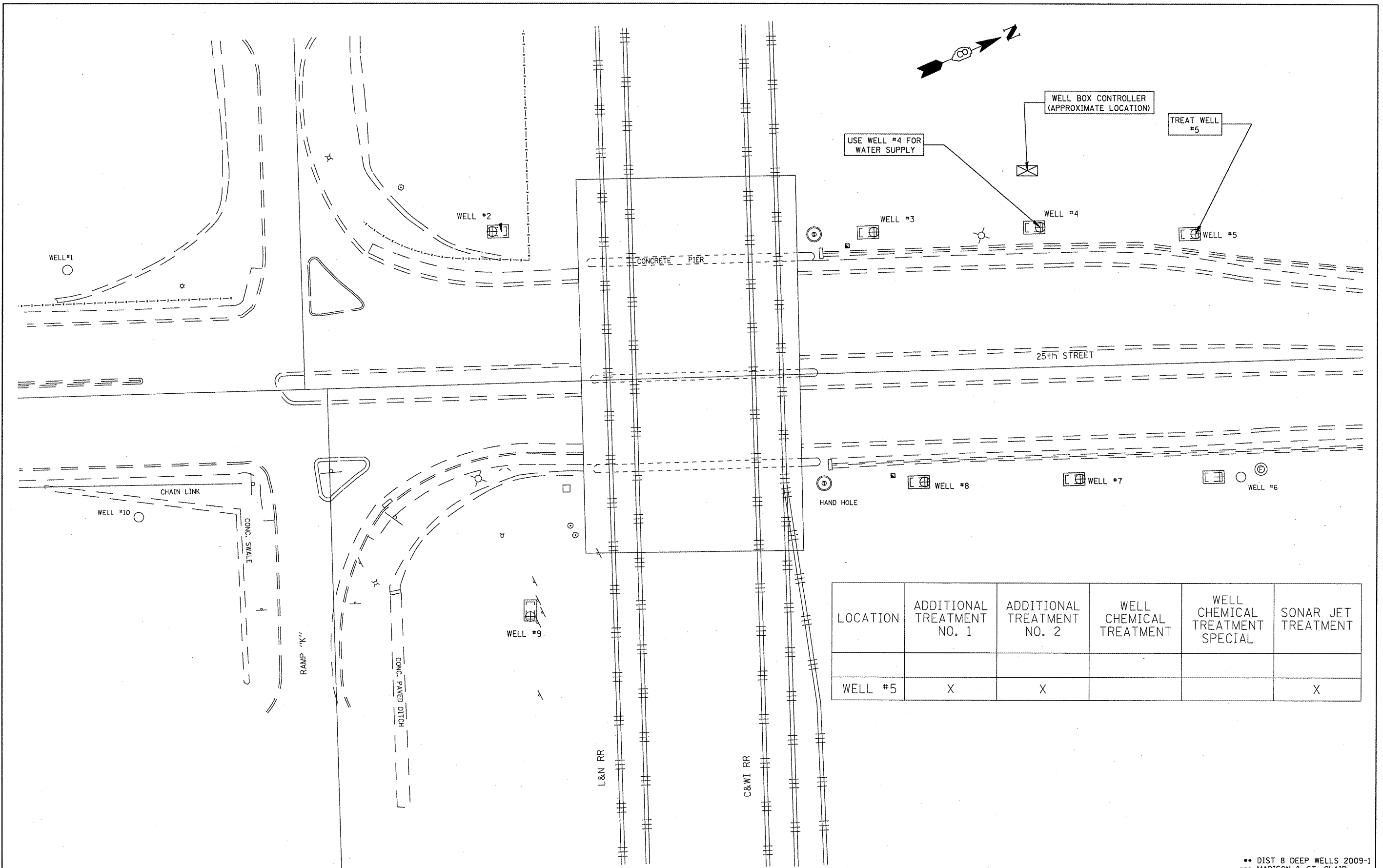
TREAT WELL #5

NOTE: HOSE FOR SUPPLY WATER MAY BE PLACED ON SIDE WALK WHILE IN USE, BUT MUST BE REMOVED OVER NIGHT.

LOCATION	ADDITIONAL TREATMENT NO. 1	ADDITIONAL TREATMENT NO. 2	WELL CHEMICAL TREATMENT	WELL CHEMICAL TREATMENT SPECIAL	SONAR JET TREATMENT
WELL #5	X	X			X

•• DIST 8 DEEP WELLS 2009-1
••• MADISON & ST. CLAIR

FILE NAME =	USER NAME = #USER#	DESIGNED -	REVISED -	STATE OF ILLINOIS DEPARTMENT OF TRANSPORTATION	LOCATION 1 SITE PLAN VENICE WELLS (IL RTE 3)	F.A.P. RTE.	SECTION	COUNTY	TOTAL SHEETS	SHEET NO.	
#FILE#		DRAWN -	REVISED -			VAR	**	***	9	4	
	PLOT SCALE = #SCALE#	CHECKED -	REVISED -			CONTRACT NO. 76C23					
	PLOT DATE = #DATE#	DATE -	REVISED -			FED. ROAD DIST. NO. ILLINOIS FED. AID PROJECT					



LOCATION	ADDITIONAL TREATMENT NO. 1	ADDITIONAL TREATMENT NO. 2	WELL CHEMICAL TREATMENT	WELL CHEMICAL TREATMENT SPECIAL	SONAR JET TREATMENT
WELL #5	X	X			X

•• DIST 8 DEEP WELLS 2009-1
 ••• MADISON & ST. CLAIR

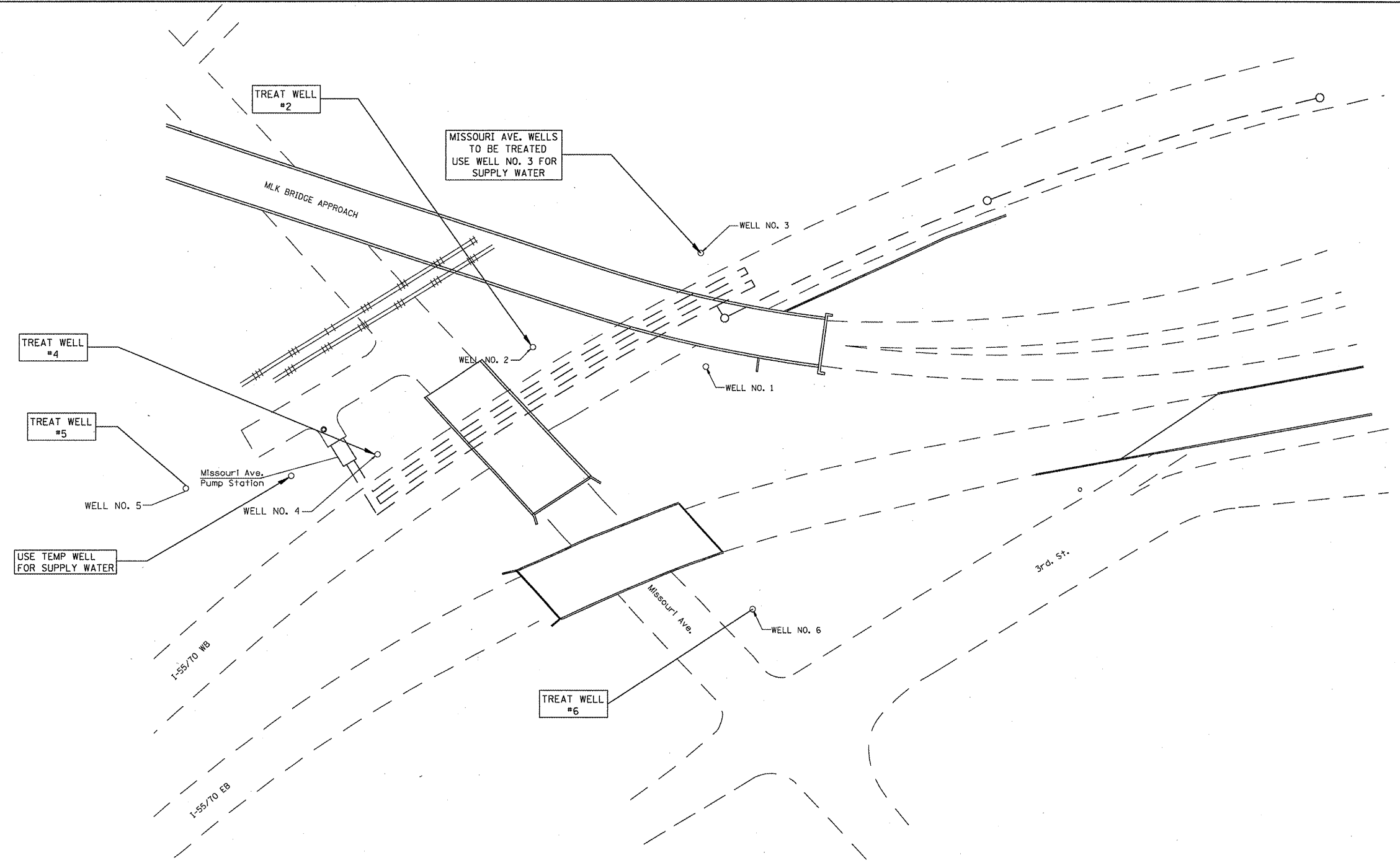
FILE NAME = #FILE#	USER NAME = #USER#	DESIGNED -	REVISED -
		DRAWN -	REVISED -
		CHECKED -	REVISED -
		DATE -	REVISED -

STATE OF ILLINOIS
DEPARTMENT OF TRANSPORTATION

LOCATION 2 SITE PLAN 25th STREET WELLS

SCALE: _____ SHEET NO. ___ OF ___ SHEETS STA. _____ TO STA. _____

F.A.P. RTE.	SECTION	COUNTY	TOTAL SHEETS	SHEET NO.
V&B	••	•••	9	5
FED. ROAD DIST. NO. [ILLINOIS] FED. AID PROJECT			CONTRACT NO. 76C23	

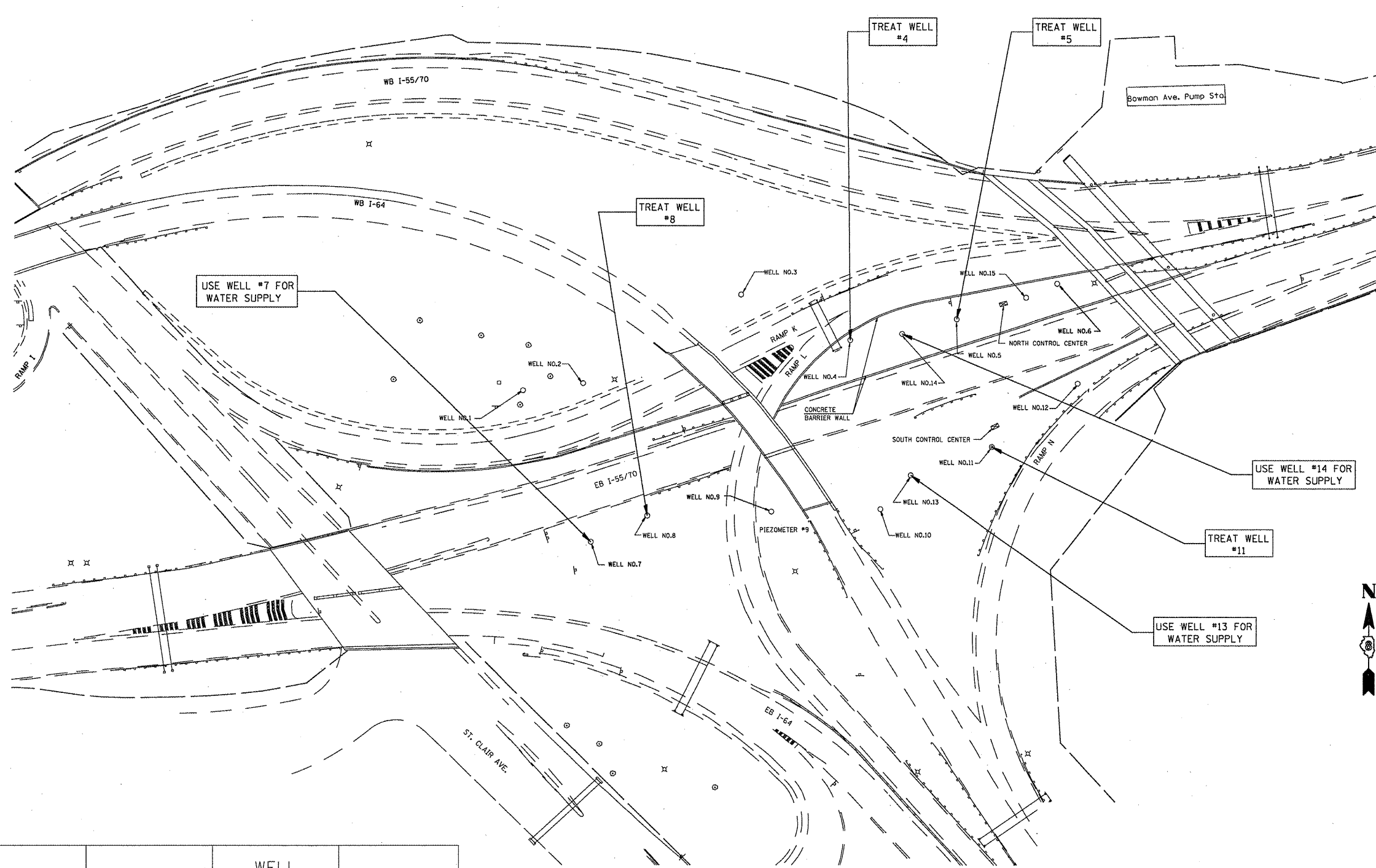


LOCATION	ADDITIONAL TREATMENT NO. 1	ADDITIONAL TREATMENT NO. 2	WELL CHEMICAL TREATMENT	SONAR JET TREATMENT	WELL CHEMICAL TREATMENT SPECIAL
WELL #5	X	X	X		
WELL #2	X	X	X		
WELL #6	X	X	X		
WELL #4	X	X			X

NOTES: 1. WELL CHEMICAL TREATMENT SPECIAL, SHALL BE USED AT MISSOURI AVE. WELL NO. 4.

•• DIST 8 DEEP WELLS 2009-1
 ••• MADISON & ST. CLAIR

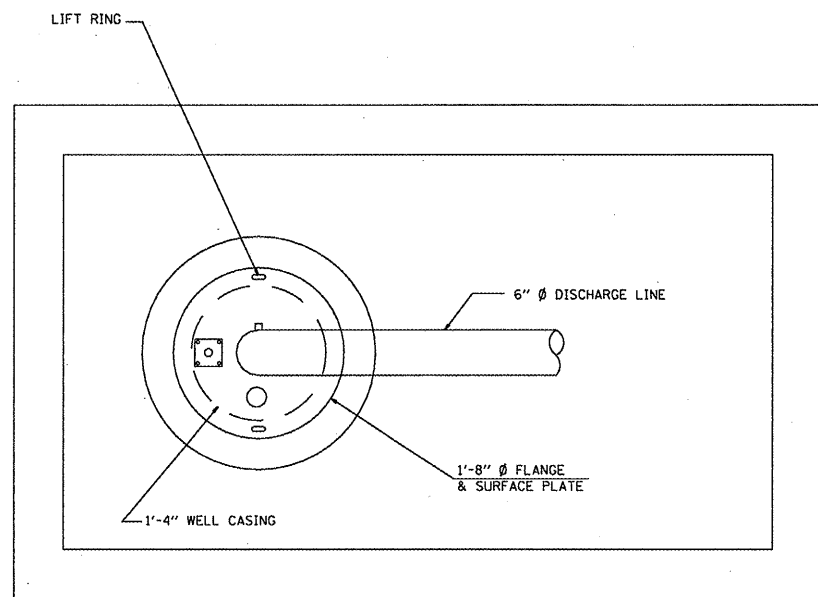
FILE NAME =	USER NAME = #USER#	DESIGNED -	REVISED -	STATE OF ILLINOIS DEPARTMENT OF TRANSPORTATION	LOCATION 3 SITE PLAN MISSOURI AVENUE WELLS	F.A.P. RTE.	SECTION	COUNTY	TOTAL SHEETS	SHEET NO.	
#FILE#	PLOT SCALE = #SCALE#	DRAWN -	REVISED -			VAR	••	•••	9	6	
	PLOT DATE = #DATE#	CHECKED -	REVISED -			SCALE: _____ SHEET NO. ___ OF ___ SHEETS STA. _____ TO STA. _____		FED. ROAD DIST. NO. _____ ILLINOIS FED. AID PROJECT		CONTRACT NO. 76C23	
		DATE -	REVISED -								



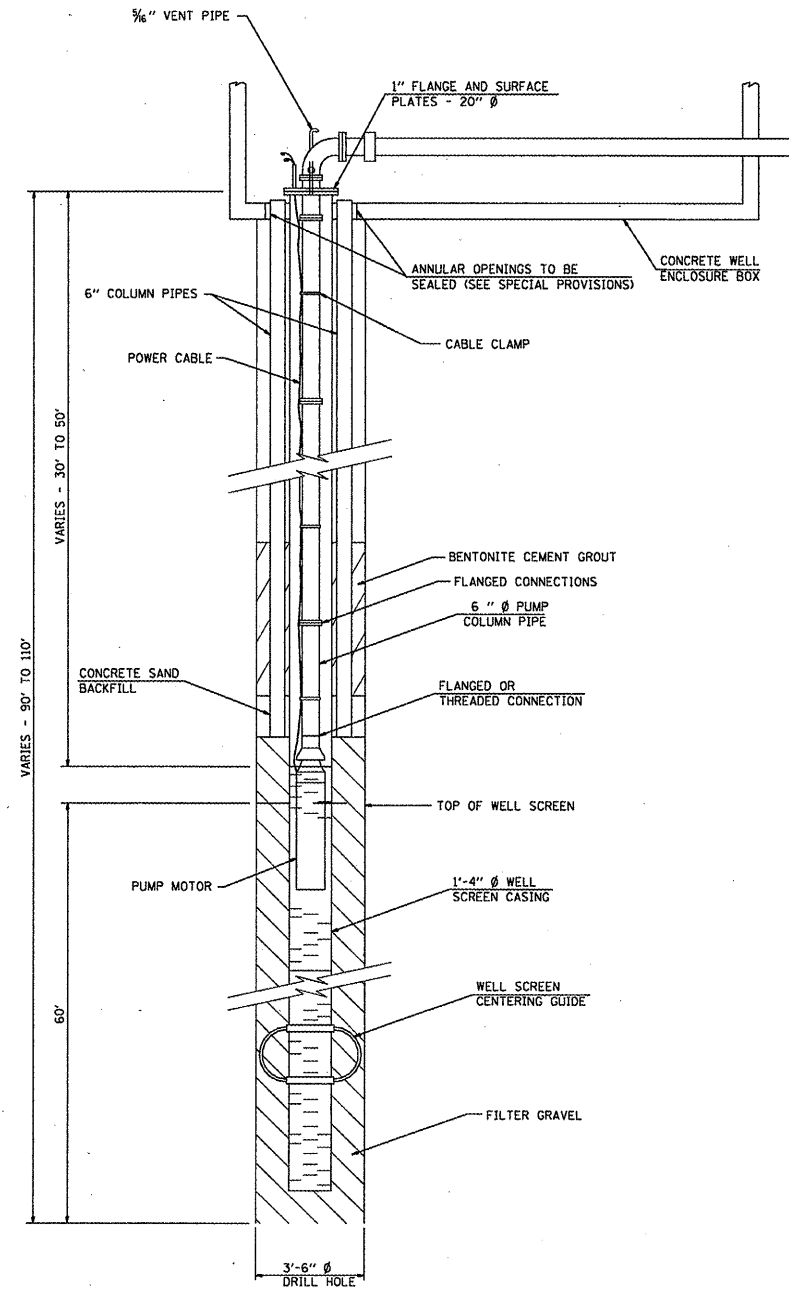
LOCATION	ADDITIONAL TREATMENT NO.1	ADDITIONAL TREATMENT NO. 2	WELL CHEMICAL TREATMENT	WELL CHEMICAL TREATMENT SPECIAL	SONAR JET TREATMENT
WELL #4	X	X	X		
WELL #8	X	X	X		
WELL #11	X	X	X		
WELL #5	X	X	X		

•• DIST 8 DEEP WELLS 2009-1
 ••• MADISON & ST. CLAIR

FILE NAME =	USER NAME = #USER#	DESIGNED -	REVISED -	STATE OF ILLINOIS DEPARTMENT OF TRANSPORTATION	LOCATION 4 SITE PLAN TRI-LEVEL WELLS	F.A.P. RTE.	SECTION	COUNTY	TOTAL SHEETS	SHEET NO.	
#FILE#	PLOT SCALE = #SCALE#	DRAWN -	REVISED -			VAR	••	•••	9	7	
	PLOT DATE = #DATE#	CHECKED -	REVISED -			CONTRACT NO. 76C23					
		DATE -	REVISED -			FED. ROAD DIST. NO. ILLINOIS FED. AID PROJECT					



WELL HEAD DETAIL



EXISTING

NOT TO SCALE

•• DIST 8 DEEP WELLS 2009-1
 ••• MADISON & ST. CLAIR

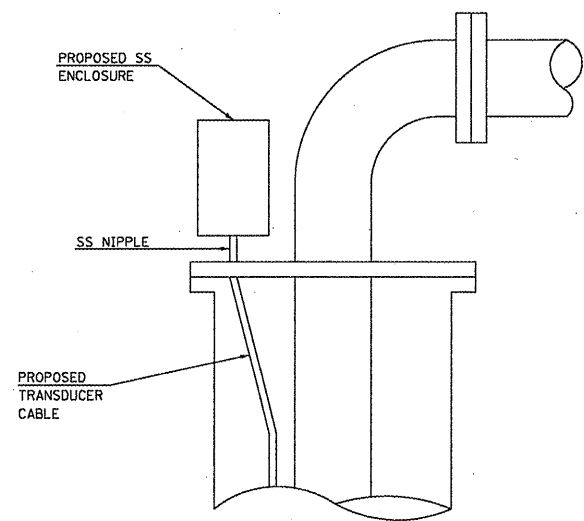
FILE NAME = #FILE#	USER NAME = #USER#	DESIGNED - ---	REVISED - ---
		DRAWN - ---	REVISED - ---
	PLOT SCALE = #SCALE#	CHECKED - ---	REVISED - ---
	PLOT DATE = #DATE#	DATE - ---	REVISED - ---

STATE OF ILLINOIS
 DEPARTMENT OF TRANSPORTATION

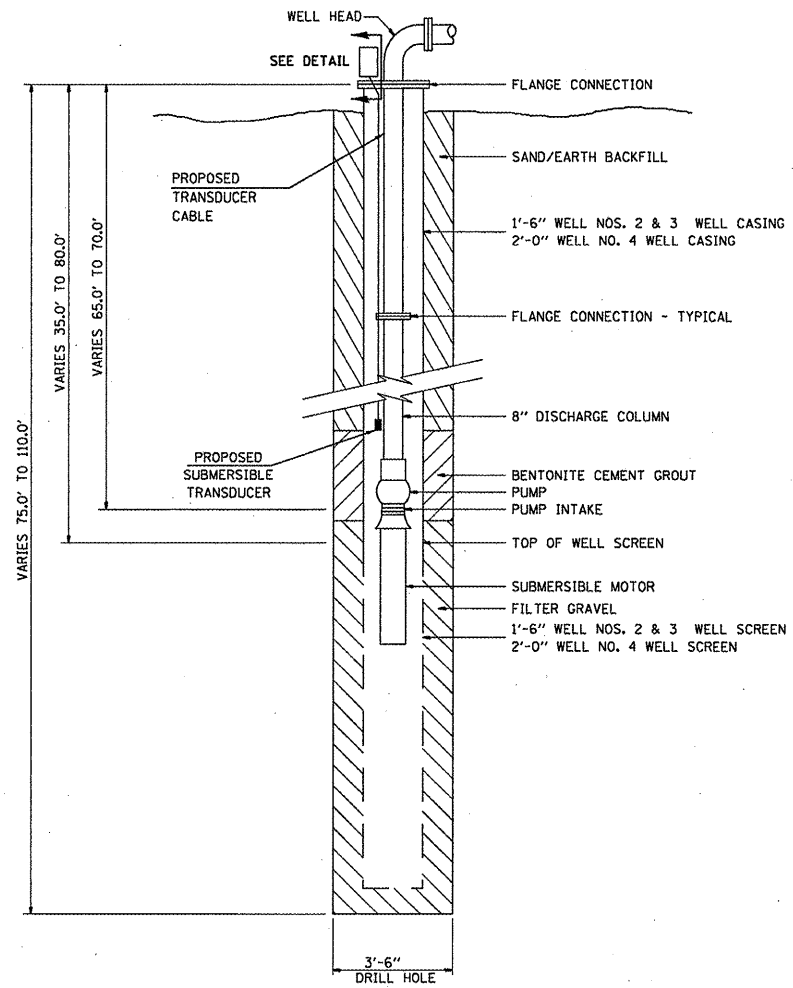
TYPICAL WELL DETAILS LOCATION 1, 2 & 4

SCALE: _____ SHEET NO. ___ OF ___ SHEETS STA. _____ TO STA. _____

F.A.P. RTE. VAR	SECTION **	COUNTY ***	TOTAL SHEETS 9	SHEET NO. 8
FED. ROAD DIST. NO. - ILLINOIS FED. AID PROJECT			CONTRACT NO. 76C23	



WELL HEAD DETAIL



EXISTING

NOT TO SCALE

•• DIST 8 DEEP WELLS 2009-1
 ••• MADISON & ST. CLAIR

FILE NAME = #FILE#	USER NAME = #USER#	DESIGNED - ---	REVISED - ---
		DRAWN - ---	REVISED - ---
	PLOT SCALE = #SCALE#	CHECKED - ---	REVISED - ---
	PLOT DATE = #DATE#	DATE - ---	REVISED - ---

STATE OF ILLINOIS
 DEPARTMENT OF TRANSPORTATION

TYPICAL WELL DETAILS LOCATION 3

SCALE: _____ SHEET NO. ___ OF ___ SHEETS STA. _____ TO STA. _____

F.A.P. RTE.	SECTION	COUNTY	TOTAL SHEETS	SHEET NO.
V&B	••	•••	9	9
FED. ROAD DIST. NO. _____ ILLINOIS FED. AID PROJECT			CONTRACT NO. 76C23	