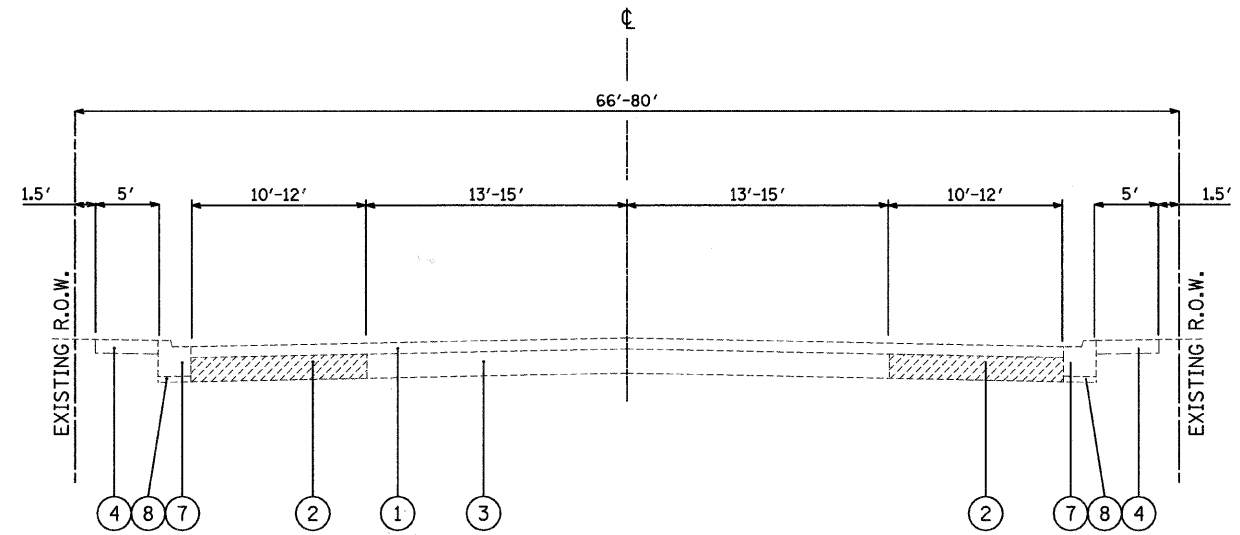


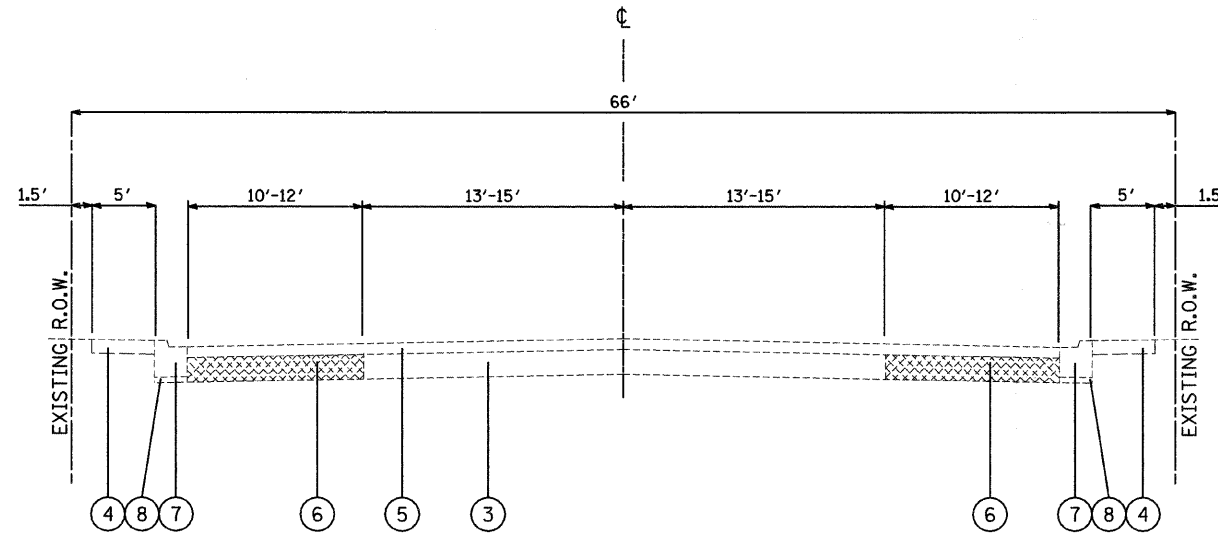
EXISTING TYPICAL SECTION
MARTIN LUTHER KING JR. DRIVE
STA. 206+75 TO STA. 211+22



EXISTING TYPICAL SECTION
MARTIN LUTHER KING JR. DRIVE
STA. 211+22 TO STA. 232+50

EXISTING LEGEND

- ① EXISTING HOT-MIX ASPHALT OVERLAY, 5"±
- ② EXISTING HOT-MIX ASPHALT BASE, 8.5"±
- ③ EXISTING P.C.C. PAVEMENT, 9"±
- ④ EXISTING P.C.C. SIDEWALK
- ⑤ EXISTING HOT-MIX ASPHALT OVERLAY, 6"±
- ⑥ EXISTING AGGREGATE BASE, 10.5"±
- ⑦ EXISTING COMBINATION CURB AND GUTTER, TYPE B-6.12
- ⑧ EXISTING SUB-BASE GRANULAR MATERIAL, 4"
- ⑨ EXISTING COMBINATION CURB AND GUTTER, TYPE B-6.24



EXISTING TYPICAL SECTION
MARTIN LUTHER KING JR. DRIVE
STA. 232+50 TO STA. 267+00

DATE: 6/30/2008
TIME: 2:25:04 PM
FILENAME: N:\PROJ\161\Design\Misc\Sheets\161-Typical-Sections.dgn

REVISIONS	
NAME	DATE

Ciorba Group, Inc.
CONSULTING ENGINEERS
5507 North Cumberland Avenue, Suite 402 Chicago, Illinois 60656
Tel. 773.775.4009 Fax 773.775.4014 Email chicago@ciorba.com

CITY OF NORTH CHICAGO
MARTIN LUTHER KING JR. DRIVE IMPROVEMENTS
MARTIN LUTHER KING JR. DRIVE
EXISTING TYPICAL SECTIONS
STA. 208+00 TO STA. 267+00

SCALE: N.T.S. DRAWN BY: KMS
DATE: APRIL, 2008 CHECKED BY: MJL