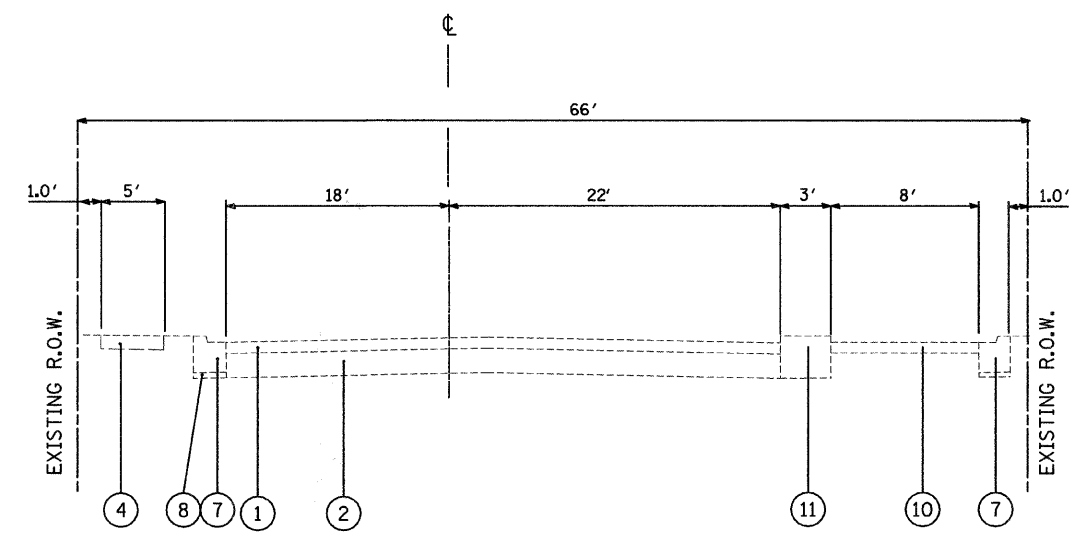
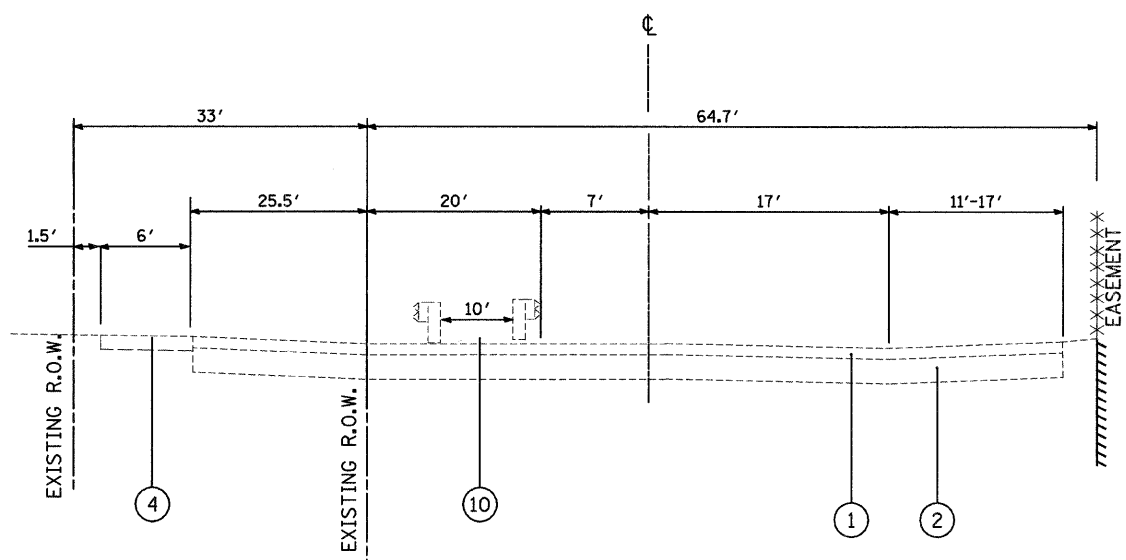


EXISTING TYPICAL SECTION
LEWIS AVENUE
STA. 100+00 TO STA. 104+00



EXISTING TYPICAL SECTION
COMMONWEALTH AVE.
STA. 171+15 TO STA. 172+61



EXISTING TYPICAL SECTION
COMMONWEALTH AVENUE
STA. 172+61 TO STA. 178+00

EXISTING LEGEND

- ① EXISTING HOT-MIX ASPHALT OVERLAY, 5"±
- ② EXISTING HOT-MIX ASPHALT BASE, 8.5"±
- ③ EXISTING P.C.C. PAVEMENT, 9"±
- ④ EXISTING P.C.C. SIDEWALK
- ⑤ EXISTING HOT-MIX ASPHALT OVERLAY, 6"±
- ⑥ EXISTING AGGREGATE BASE, 10.5"±
- ⑦ EXISTING COMBINATION CURB AND GUTTER, TYPE B-6.12
- ⑧ EXISTING SUB-BASE GRANULAR MATERIAL, 4"
- ⑨ EXISTING COMBINATION CURB AND GUTTER, TYPE B-6.24
- ⑩ EXISTING BIKE PATH
- ⑪ EXISTING P.C.C. MEDIAN

DATE: 6/30/2008
TIME: 2:25:20 PM
FILENAME: N:\PROJ\5161\Design\Misc\Sheets\5161-Typical-Sections.dgn

REVISIONS	
NAME	DATE

Clorba Group, Inc.
CONSULTING ENGINEERS
5507 North Cumberland Avenue, Suite 402 Chicago, Illinois 60656
Tel. 773.775.4009 Fax 773.775.4014 Email chicago@clorba.com

CITY OF NORTH CHICAGO
MARTIN LUTHER KING JR. DRIVE IMPROVEMENTS
LEWIS AVE AND COMMONWEALTH AVE
EXISTING TYPICAL SECTIONS

SCALE: N.T.S. DATE: APRIL, 2008
DRAWN BY: KMS
CHECKED BY: MJL