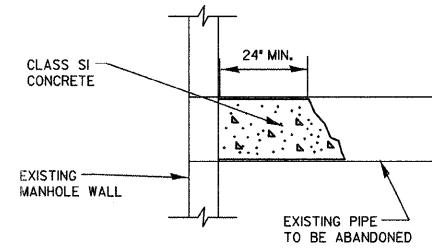


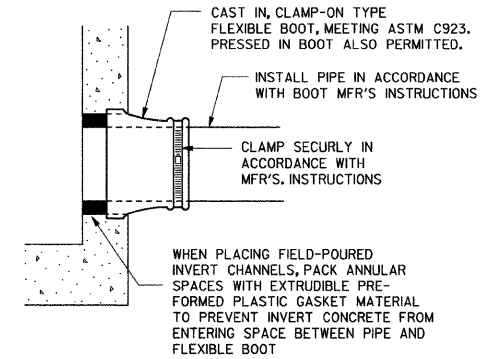
D	T	C
4'-0"	4"	30"
5'-0"	5"	3'-9"

**SANITARY MANHOLE**

NOTE: CAST FLEXIBLE BOOT INTO STRUCTURE AT PIPE PENETRATIONS.

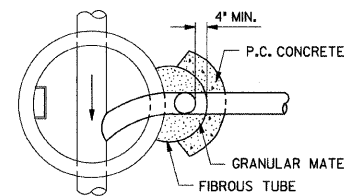


**PLUG EXISTING PIPE**



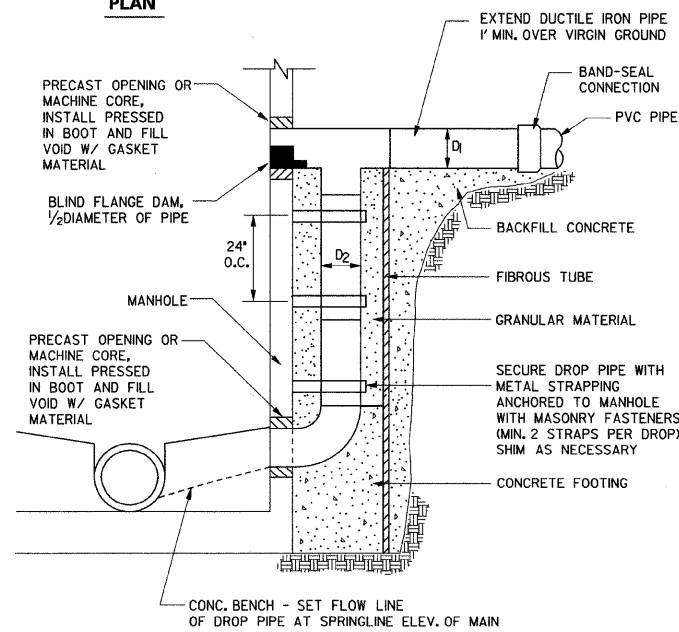
**SANITARY MANHOLE-PIPE CONNECTIONS**

NOTE: FOR CONNECTIONS TO EXISTING MANHOLES, MACHINE CORE EXISTING STRUCTURE AND INSTALL PRESSED IN BOOT.

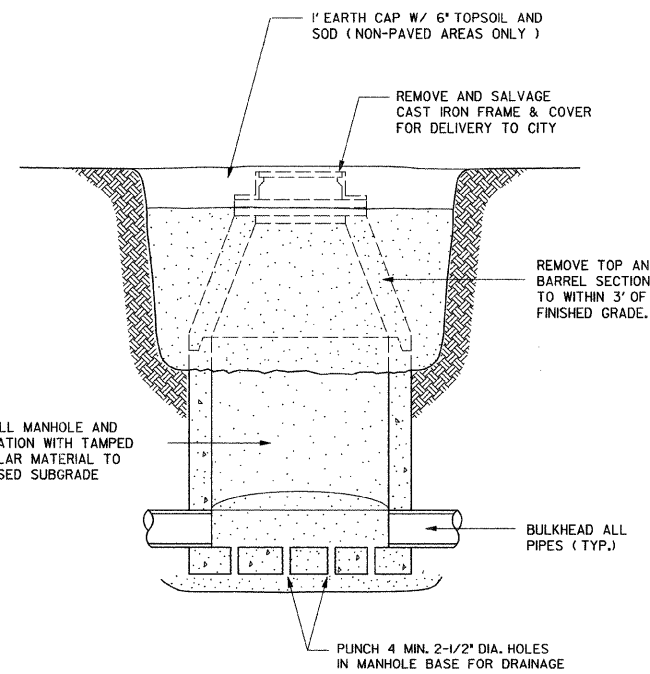


D1	D2
8	8
10	8
12	8
15	10
18	12
21	15
24	18

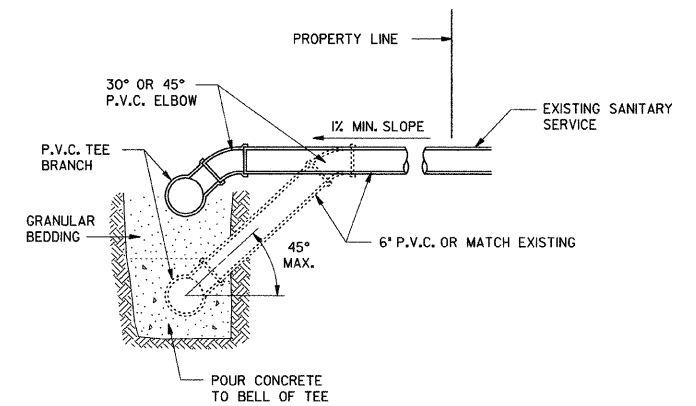
**PLAN**



**OUTSIDE DROP CONNECTION**



**ABANDON EXISTING STRUCTURE**



**SEWER SERVICE**

DATE: 7/1/2008  
 TIME: 7:53:28 AM  
 FILENAME: N:\PPOJ\5161\Design\Details\5161 sanitary details.dgn

REVISIONS	
NAME	DATE

**Clorba Group, Inc.**  
 CONSULTING ENGINEERS  
 5507 North Cumberland Avenue, Suite 402 Chicago, Illinois 60656  
 Tel. 773.775.4009 Fax 773.775.4014 Email chicago@clorba.com

CITY OF NORTH CHICAGO  
 MARTIN LUTHER KING JR. DRIVE IMPROVEMENTS  
 MARTIN LUTHER KING JR. DRIVE  
 SANITARY SEWER  
 DETAILS

SCALE: N.T.S. DRAWN BY: DMM  
 DATE: APRIL, 2008 CHECKED BY: BPD