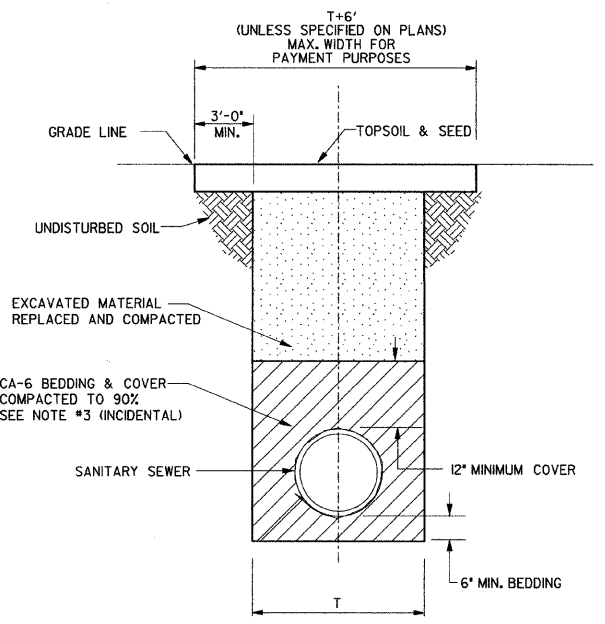


**TRENCH IN PAVEMENT AREA FOR PIPES GREATER THAN 5' DEEP**

**TRENCH IN PAVEMENT AREA FOR PIPES LESS THAN 5' DEEP**

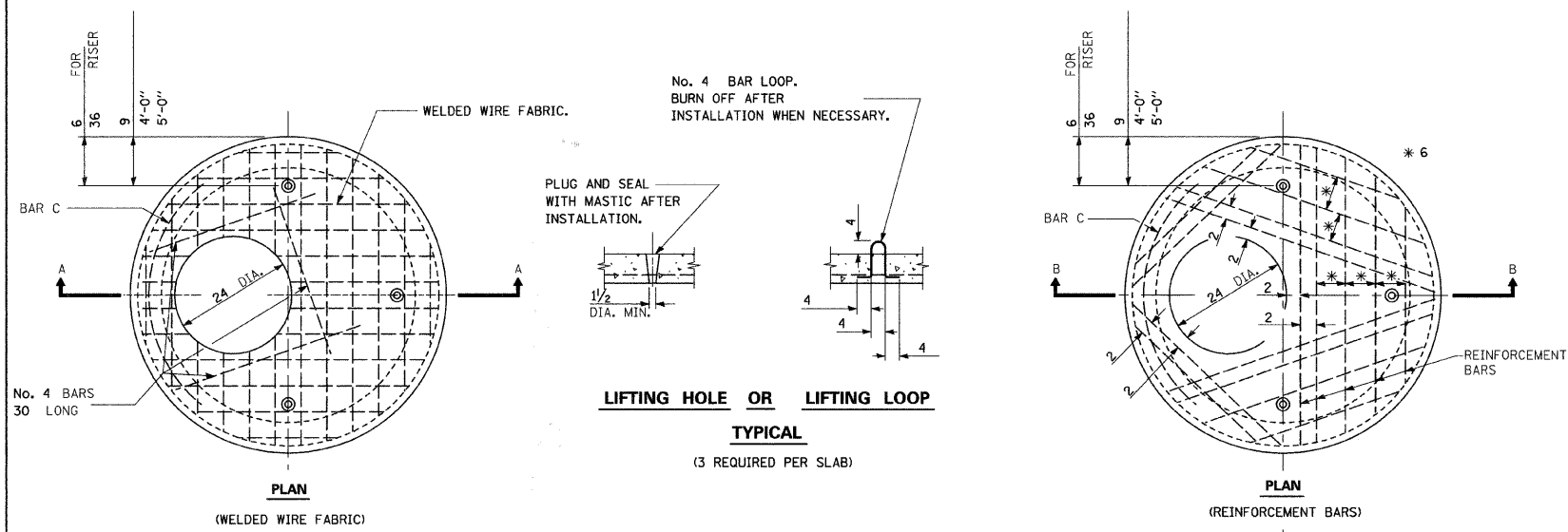


**TRENCH IN NON PAVED AREA**

**NOTES:**

- CONTRACTOR IS TO DISPOSE OF ALL UNUSED EXCAVATED MATERIAL OFF-SITE.
- TRENCH IS TO BE EXCAVATED TO FIRM, UNDISTURBED SOIL. IF OVER EXCAVATION IS REQUIRED TO REACH A FIRM TRENCH BOTTOM, THE CONTRACTOR SHALL FILL THE VOID WITH CA-6 AND COMPACT TO OBTAIN PROPER DENSITY AND GRADE.
- CRUSHED STONE, GRADATION CA-6 OR CRUSHED STONE, GRADATION CA-7

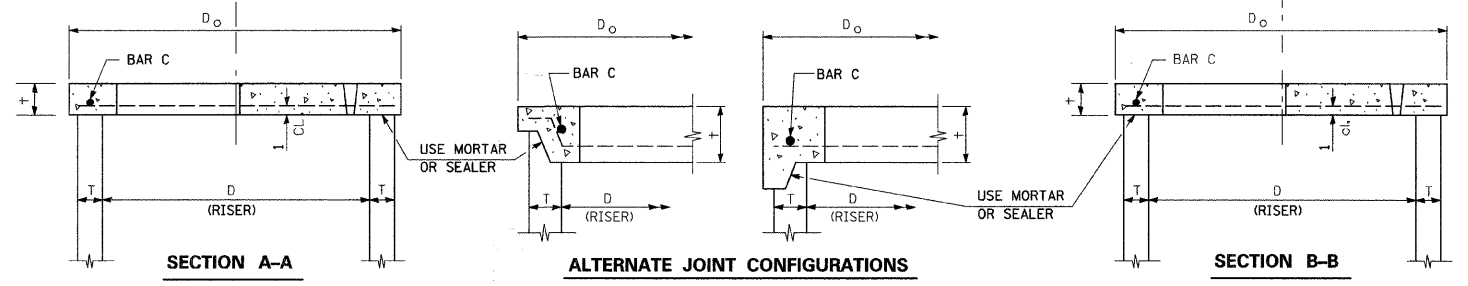
**SANITARY SEWER TRENCH/BEDDING**



**LIFTING HOLE OR LIFTING LOOP**

**TYPICAL**

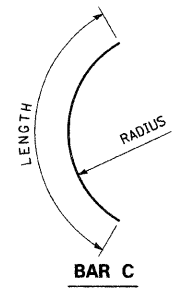
(3 REQUIRED PER SLAB)



**SECTION A-A**

**ALTERNATE JOINT CONFIGURATIONS**

**SECTION B-B**



**BAR C**

D	T	D <sub>o</sub> (MIN.)	†	REINFORCEMENT		No. 4 BAR C LENGTH/RADIUS
				W.W.F. EACH DIRECTION	OR BAR SIZE	
36	SEE APPLICABLE STANDARDS	D + 2T	6	.20 SQ. INCH/FT.	No. 4	4'-0"
4'-0"			6	.35 SQ. INCH/FT.	No. 5	4'-6"
5'-0"			8	.35 SQ. INCH/FT.	No. 5	5'-0"
6'-0"			10	.50 SQ. INCH/FT.	No. 5	5'-6"

**PRECAST REINFORCED CONCRETE FLAT SLAB TOP**

**GENERAL NOTES**

THE FLAT SLAB TOP MAY BE USED IN LIEU OF THE TAPERED TOPS SHOWN ON STANDARD 602001 AT THE OPTION OF THE CONTRACTOR OR WHEN FIELD CONDITIONS PROHIBIT THE USE OF TAPERED TOPS.

REVISIONS	
NAME	DATE

**Clorba Group, Inc.**  
CONSULTING ENGINEERS  
5507 North Cumberland Avenue, Suite 402 Chicago, Illinois 60656  
Tel. 773.775.4009 Fax 773.775.4014 Email chicago@clorba.com

CITY OF NORTH CHICAGO  
MARTIN LUTHER KING JR. DRIVE IMPROVEMENTS  
MARTIN LUTHER KING JR. DRIVE  
SANITARY SEWER  
DETAILS

SCALE: N.T.S. DRAWN BY: DMM  
DATE: APRIL, 2008 CHECKED BY: BPD