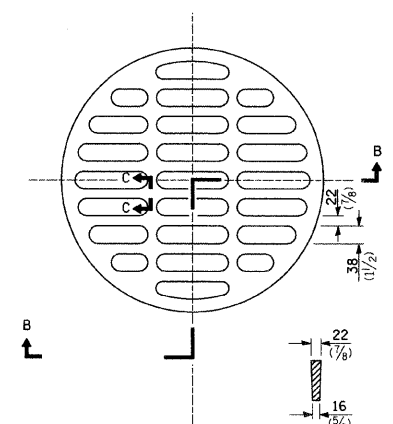
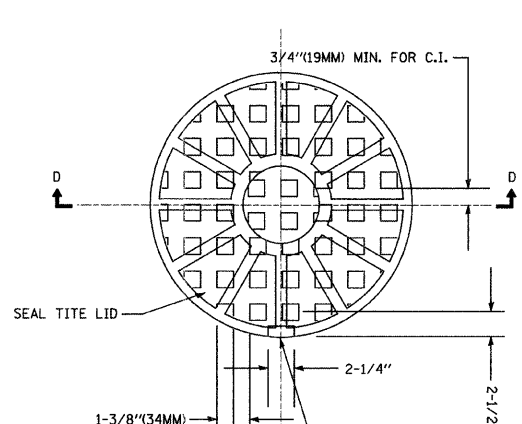


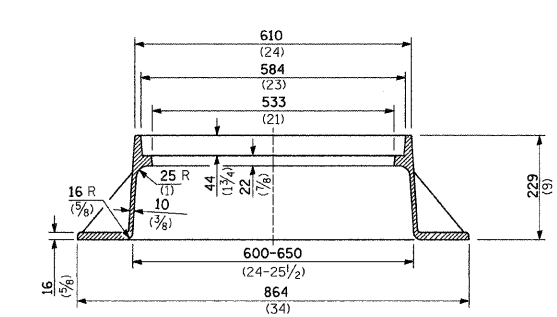
CAST FRAME



SECTION C-C

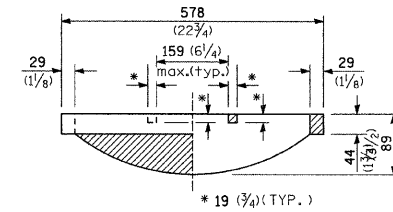


SECTION D-D



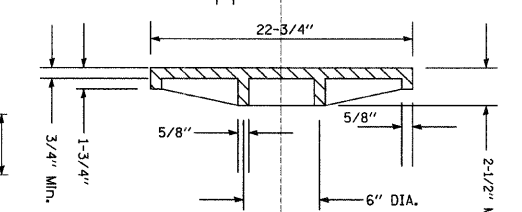
SECTION A-A

GRAY IRON
73.5 kg (162 LB)



SECTION B-B

CAST OPEN LID



SECTION D-D

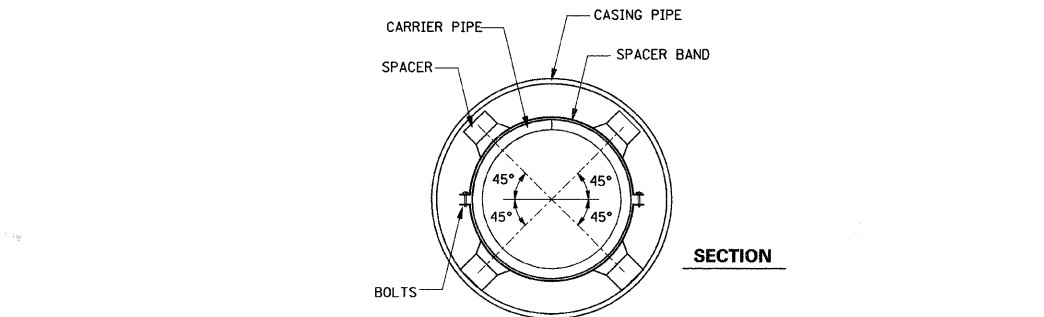
CAST CLOSED LID

CONCEALED PICK-HOLE

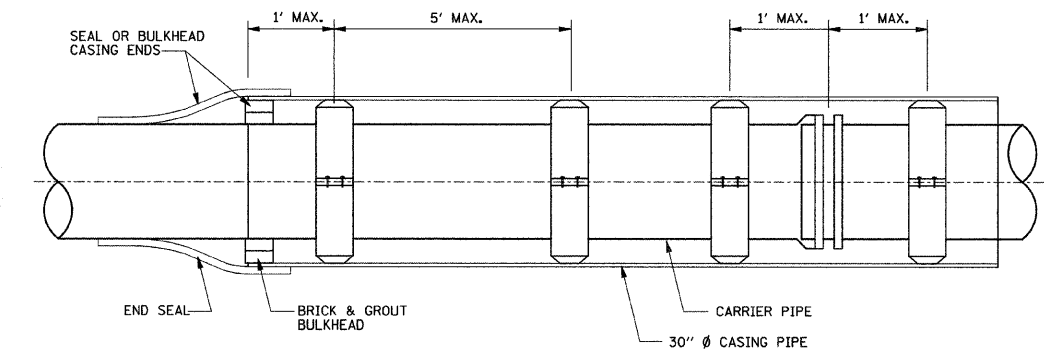
FRAME AND LIDS - TYPE 1

- ALL FRAMES AND COVERS SHALL HAVE MACHINED HORIZONTAL AND VERTICAL BEARING SURFACES, PICK HOLES SHALL NOT CREATE OPENINGS IN THE COVER. LIDS SHALL BE SELF-SEALING.
- ALL CASTINGS SHALL BE SHOP PAINTED WITH AN ASPHALTIC BASE PAINT

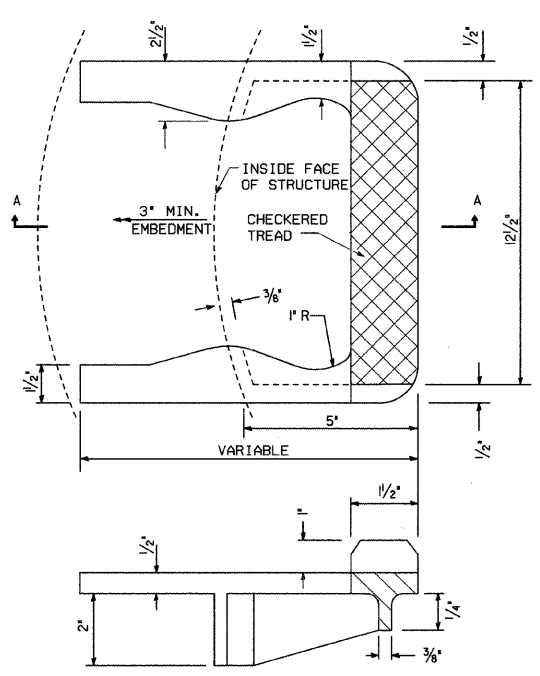
ALL DIMENSIONS ARE IN MILLIMETERS (INCHES) UNLESS OTHERWISE SHOWN.



SECTION

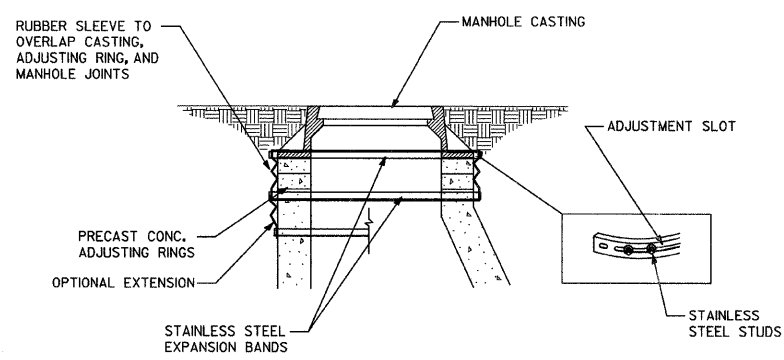


CASING SPACER INSTALLATION



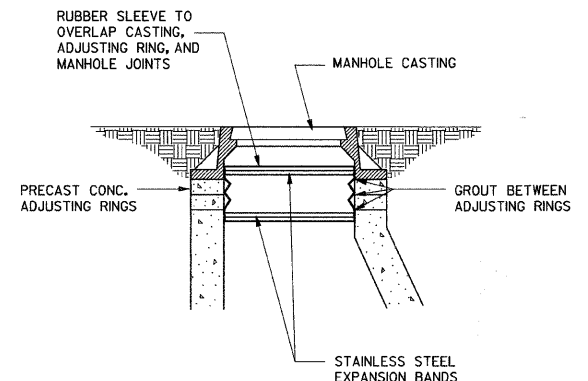
CIRCULAR WALL STRUCTURE

CAST IRON STEPS



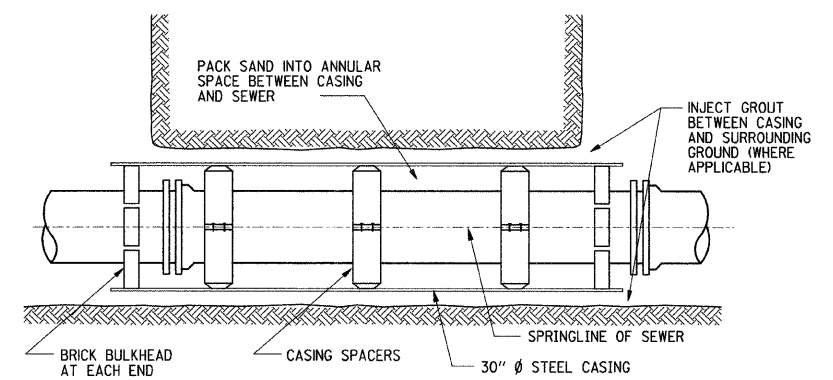
EXTERNAL CHIMNEY SEAL

NOTE: INSTALL CHIMNEY SEAL AS SPECIFIED, ACCORDING TO MANUFACTURERS RECOMMENDATIONS.



INTERNAL CHIMNEY SEAL

NOTE: INSTALL CHIMNEY SEAL AS SPECIFIED, ACCORDING TO MANUFACTURERS RECOMMENDATIONS.



STEEL CASING PIPE, 30" BORED AND JACKED (FOR RAILROAD CROSSING)

REVISIONS	
NAME	DATE

Clorba Group, Inc.
CONSULTING ENGINEERS
5507 North Cumberland Avenue, Suite 402 Chicago, Illinois 60656
Tel. 773.775.4009 Fax 773.775.4014 Email: chicago@clorba.com

CITY OF NORTH CHICAGO
MARTIN LUTHER KING JR. DRIVE IMPROVEMENTS
MARTIN LUTHER KING JR. DRIVE
SANITARY SEWER
DETAILS

SCALE: N.T.S. DRAWN BY: DMM
DATE: APRIL, 2008 CHECKED BY: BPD

DATE: 7/1/2008
TIME: 7:53:52 AM
FILENAME: N:\PROJ\161\Design\Details\161_sanitary_details.dgn