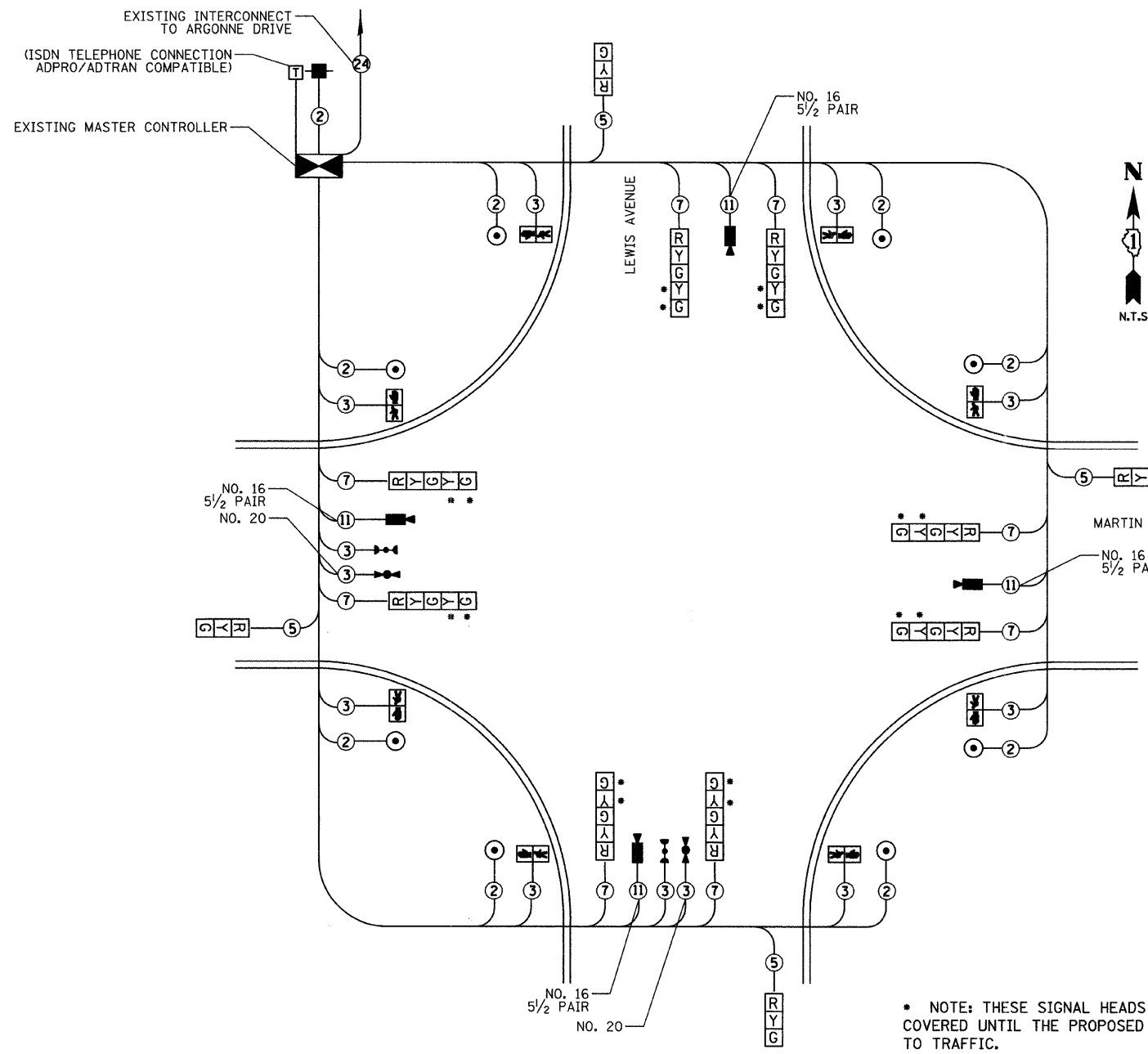
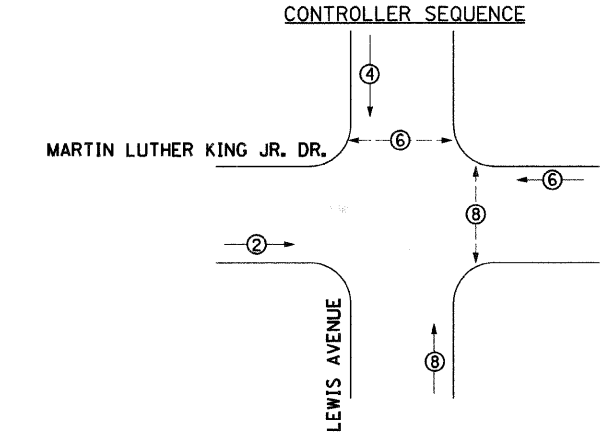


DURING CONSTRUCTION STAGES 1, 2, & 3      DURING CONSTRUCTION STAGE 4



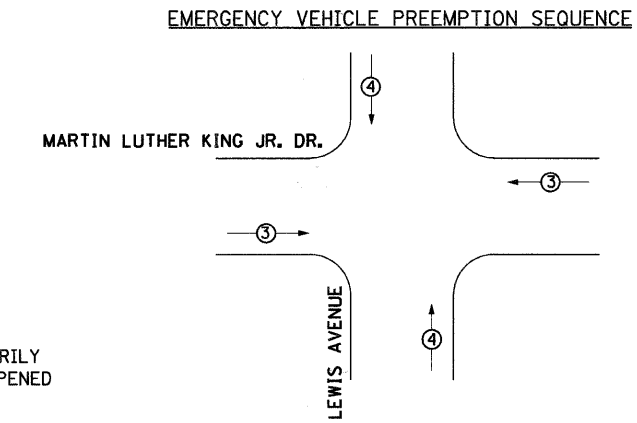
TEMPORARY CABLE PLAN

\* NOTE: THESE SIGNAL HEADS SHALL BE TEMPORARILY COVERED UNTIL THE PROPOSED TURN LANES ARE OPENED TO TRAFFIC.

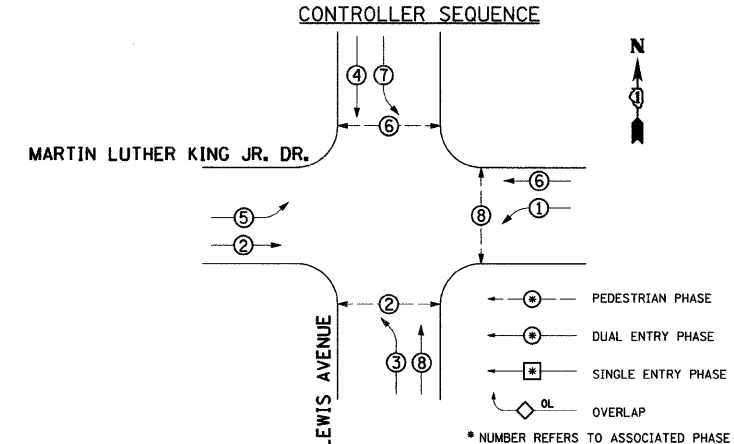


TEMPORARY PHASE DESIGNATION DIAGRAM (ALL STAGES)

PEDESTRIAN PHASE  
DUAL ENTRY PHASE  
\* NUMBER REFERS TO ASSOCIATED PHASE

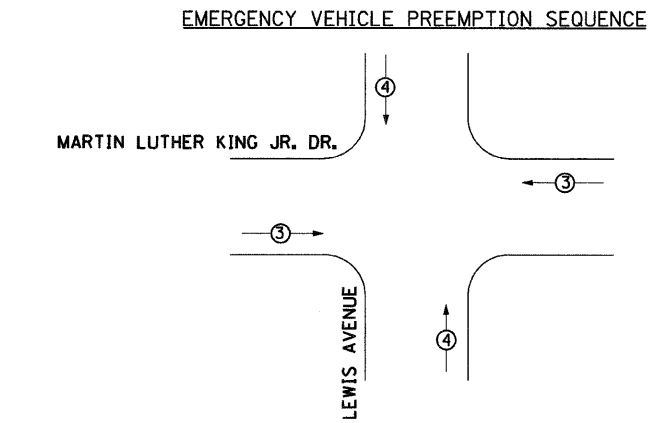


PROPOSED EMERGENCY VEHICLE PREEMPTOR		
EMERGENCY VEHICLE PREEMPTOR	3	4
MOVEMENT	← →	↑ ↓



TEMPORARY PHASE DESIGNATION DIAGRAM (AFTER CONSTRUCTION)

PEDESTRIAN PHASE  
DUAL ENTRY PHASE  
\* NUMBER REFERS TO ASSOCIATED PHASE



PROPOSED EMERGENCY VEHICLE PREEMPTOR		
EMERGENCY VEHICLE PREEMPTOR	3	4
MOVEMENT	← →	↑ ↓

I.D.O.T. TRAFFIC SIGNAL INSTALLATION ELECTRICAL SERVICE REQUIREMENTS					
TYPE	NO. LAMPS	WATTAGE		%OPERATION	TOTAL WATTAGE
		INCAND.	LED		
SIGNAL (RED)	12	17	0.50	102	
(YELLOW)	12	25	0.25	75	
(GREEN)	12	15	0.25	45	
ARROW	8	12	0.10	10	
PED. SIGNAL	8	25	1.00	200	
CONTROLLER	1	100	1.00	100	
VIDEO SYSTEMS	1	150	1.00	150	
ENERGY COSTS TO: LAKE COUNTY DIVISION OF TRANSPORTATION 600 WEST WINCHESTER ROAD LIBERTYVILLE, IL 60048					TOTAL = 682
ENERGY SUPPLY CONTACT: MS. TERRI BLECK. PHONE: 1-847-816-5293 COMPANY: COM. ED.					

TEMPORARY CABLE PLAN LEGEND

- TEMPORARY TRAFFIC SIGNAL SECTION OR PEDESTRIAN SIGNAL SECTION 12" (300mm) [R]
- CONTROLLER CABINET [C]
- SERVICE INSTALLATION [S]
- INDICATES NUMBER OF CONDUCTORS IN CABLE. ALL CONDUCTORS TO BE NUMBER 14 AWG WIRE UNLESS OTHERWISE NOTED [2]
- CONFIRMATION BEACON [B]
- EMERGENCY VEHICLE LIGHT DETECTOR [E]
- PEDESTRIAN PUSHBUTTON DETECTOR [P]
- 12" (300mm) PEDESTRIAN SIGNAL SECTION [12]
- TELEPHONE CONNECTION [T]

THE TRAFFIC SIGNAL CONTROLLER EQUIPMENT FOR THIS PROJECT SHALL BE "ECONOLITE" TO MATCH THE EXISTING ADJACENT SYSTEM.

REVISIONS	
NAME	DATE

**Clorba Group, Inc.**  
CONSULTING ENGINEERS  
5507 North Cumberland Avenue, Suite 402 Chicago, Illinois 60656  
Tel. 773.775.4009 Fax 773.775.4014 Email: chicago@clorba.com

CITY OF NORTH CHICAGO  
MARTIN LUTHER KING JR. DRIVE IMPROVEMENTS  
TEMPORARY CABLE PLAN AND  
PHASE DESIGNATION DIAGRAM  
MARTIN LUTHER KING JR. DRIVE  
AND LEWIS AVENUE

SCALE: N.T.S.      DRAWN BY: KDM  
DATE: APRIL, 2008      CHECKED BY: MJL

DATE: 7/1/2008  
TIME: 8:32:48 AM  
FILENAME: N:\PROJECTS\161\Design\Signals\Plan Sheets\161-04-Lewis-Temp-Cable-Plan.dgn