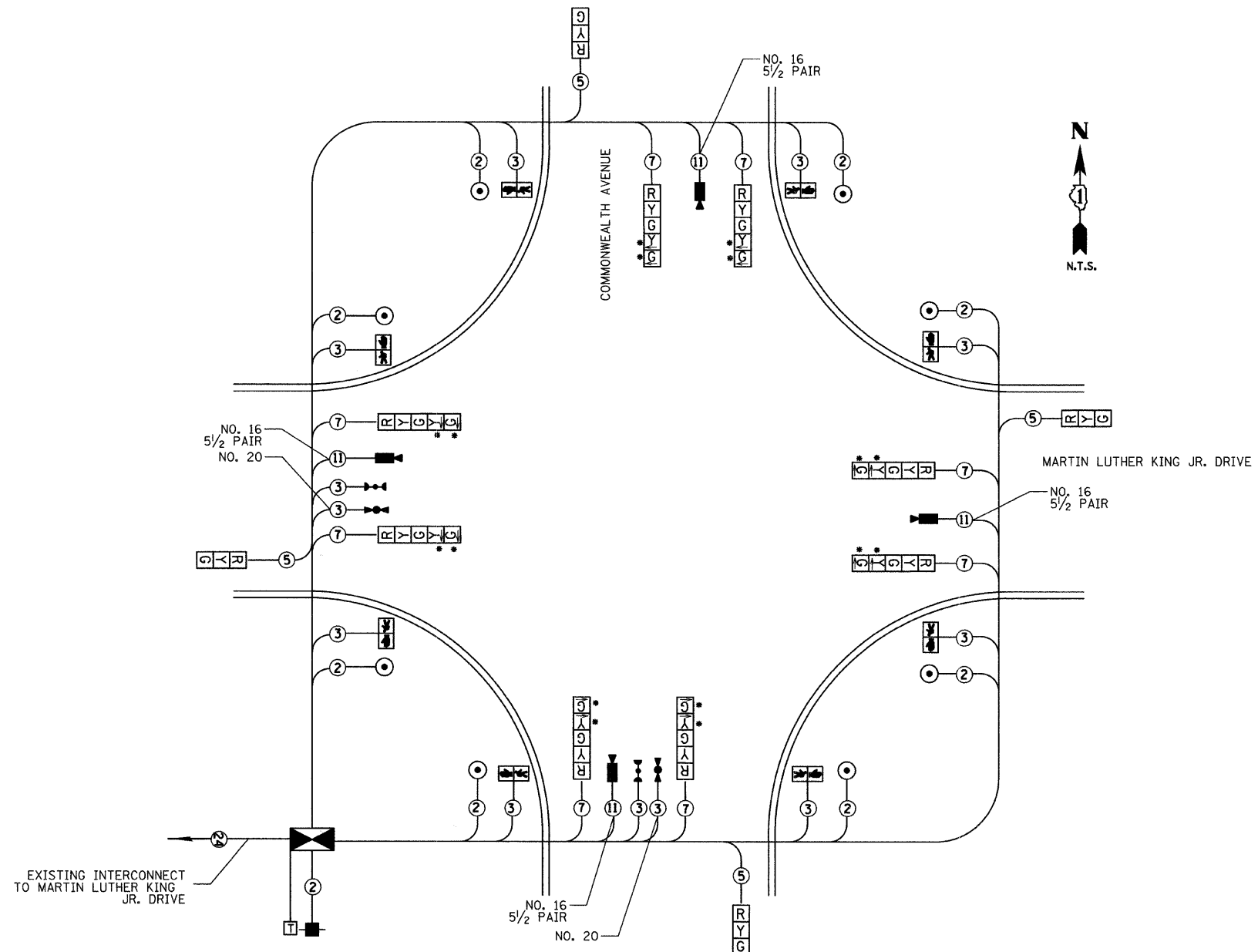
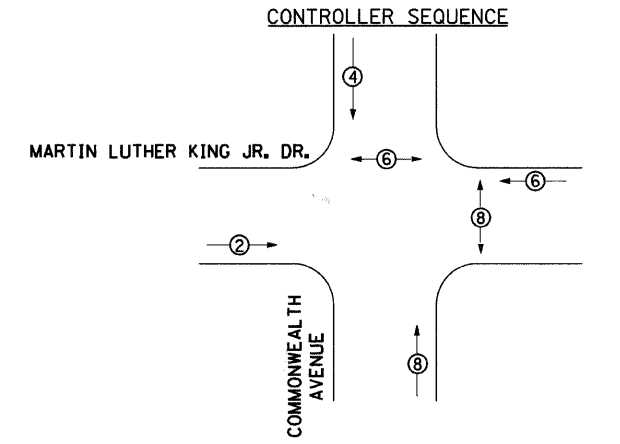


DURING CONSTRUCTION STAGES 1, 2 & 3 DURING CONSTRUCTION STAGE 4



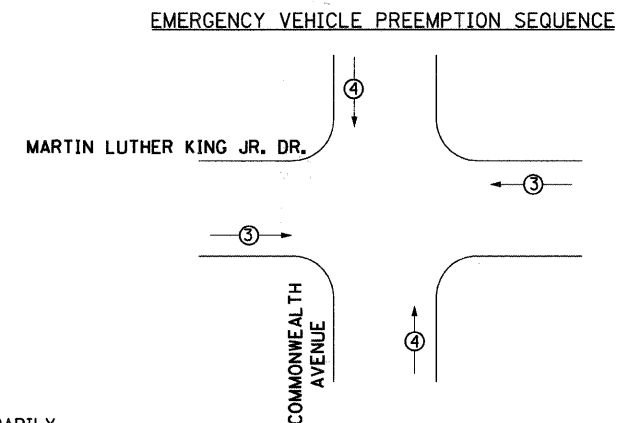
TEMPORARY CABLE PLAN

• NOTE: THESE SIGNAL HEADS SHALL BE TEMPORARILY COVERED UNTIL THE PROPOSED TURN LANES ARE OPENED TO TRAFFIC

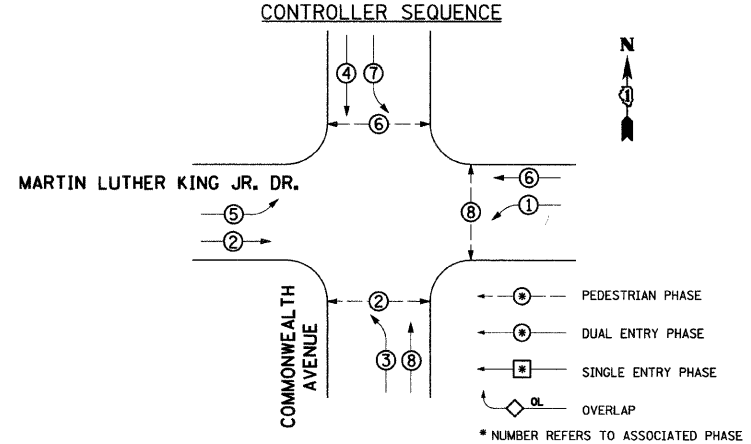


TEMPORARY PHASE DESIGNATION DIAGRAM (ALL STAGES)

- ← ○ → PEDESTRIAN PHASE
- ← ● → DUAL ENTRY PHASE
- * NUMBER REFERS TO ASSOCIATED PHASE

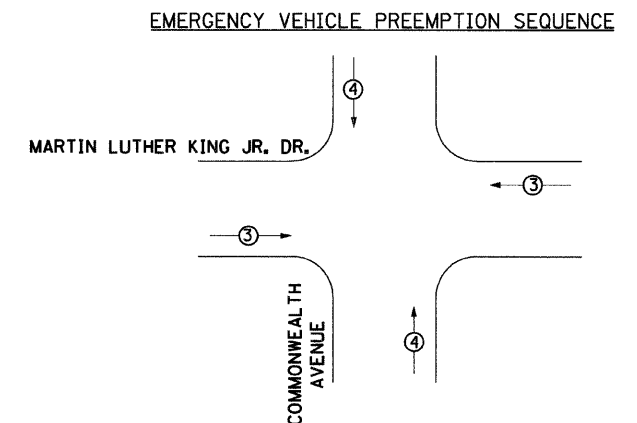


PROPOSED EMERGENCY VEHICLE PREEMPTOR		
EMERGENCY VEHICLE PREEMPTOR	3	4
MOVEMENT	← →	↑ ↓



TEMPORARY PHASE DESIGNATION DIAGRAM (AFTER CONSTRUCTION)

- ← ○ → PEDESTRIAN PHASE
- ← ● → DUAL ENTRY PHASE
- * NUMBER REFERS TO ASSOCIATED PHASE



PROPOSED EMERGENCY VEHICLE PREEMPTOR		
EMERGENCY VEHICLE PREEMPTOR	3	4
MOVEMENT	← →	↑ ↓

DATE: 7/1/2008 TIME: 8:33:28 AM FILENAME: N:\PROJ\05161\Design\Signals\Plan Sheets\161-07-Commonwealth-Temp-Cable-Plan.dgn

I.D.O.T TRAFFIC SIGNAL INSTALLATION ELECTRICAL SERVICE REQUIREMENTS					TOTAL WATTAGE
TYPE	NO. LAMPS	WATTAGE		%OPERATION	
		INCAND.	LED		
SIGNAL (RED)	12	17	0.50	102	
(YELLOW)	12	25	0.25	75	
(GREEN)	12	15	0.25	45	
ARROW	8	12	0.10	10	
PED. SIGNAL	8	25	1.00	200	
CONTROLLER	1	100	1.00	100	
VIDEO SYSTEMS	1	150	1.00	150	
ENERGY COSTS TO: CITY OF NORTH CHICAGO PUBLIC WORKS DEPARTMENT 1850 LEWIS AVENUE NORTH CHICAGO, IL 60064 1-847-596-8690				TOTAL =	682
ENERGY SUPPLY CONTACT: MS. TERRI BLECK. PHONE: 1-847-816-5293 COMPANY: COM. ED.					

TEMPORARY CABLE PLAN LEGEND

- TEMPORARY TRAFFIC SIGNAL SECTION OR PEDESTRIAN SIGNAL SECTION 12" (300mm)
- CONTROLLER CABINET
- SERVICE INSTALLATION
- INDICATES NUMBER OF CONDUCTORS IN CABLE. ALL CONDUCTORS TO BE NUMBER 14 AWG WIRE UNLESS OTHERWISE NOTED
- CONFIRMATION BEACON
- EMERGENCY VEHICLE LIGHT DETECTOR
- PEDESTRIAN PUSHBUTTON DETECTOR
- 12" (300mm) PEDESTRIAN SIGNAL SECTION
- TELEPHONE CONNECTION



THE TRAFFIC SIGNAL CONTROLLER EQUIPMENT FOR THIS PROJECT SHALL BE "ECONOLITE" TO MATCH THE EXISTING ADJACENT SYSTEM.

REVISIONS	
NAME	DATE

Clorba Group, Inc.
CONSULTING ENGINEERS
5507 North Cumberland Avenue, Suite 402 Chicago, Illinois 60656
Tel. 773.775.4009 Fax 773.775.4014 Email: chicago@clorba.com

CITY OF NORTH CHICAGO
MARTIN LUTHER KING JR. DRIVE IMPROVEMENTS
TEMPORARY CABLE PLAN AND
PHASE DESIGNATION DIAGRAM
MARTIN LUTHER KING JR. DRIVE
AND COMMONWEALTH AVENUE

SCALE: N.T.S. DRAWN BY: KDM
DATE: APRIL, 2008 CHECKED BY: MJL