

# VIDEO SYSTEM SCHEMATIC LEGEND

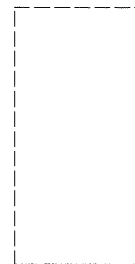
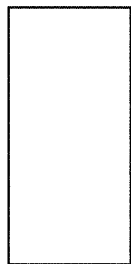
F.A.U. ROUTE	SEC	COUNTY	TOTAL SHEETS	SHEET NO.
		LAKE	262	163
LCDOT TS DESIGN DETAILS SHT 1 OF 2				
ILLINOIS				
CONTRACT 83828				

## CABINET CONFIGURATIONS

PROPOSED

EXISTING

CABINET



VIDEO EQUIPMENT

3 VDC  
1 PTZ  
1 LAYER 2 SWITCH

3 VDC  
1 PTZ  
1 LAYER 2 SWITCH

VDC = VIDEO DETECTION CAMERA  
PTZ = PAN/TILT/ZOOM CAMERA

FIBER OPTIC CABLE

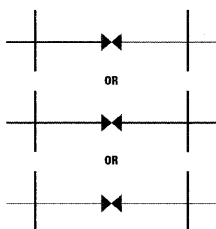
12 TOTAL MM FIBERS  
TERMINATE 6 (OR 12)

12 (OR 24) TOTAL SM FIBERS  
SPLICE 6 (OR 12, 18, 24),  
TERMINATE 6 (OR 12, 18, 24)

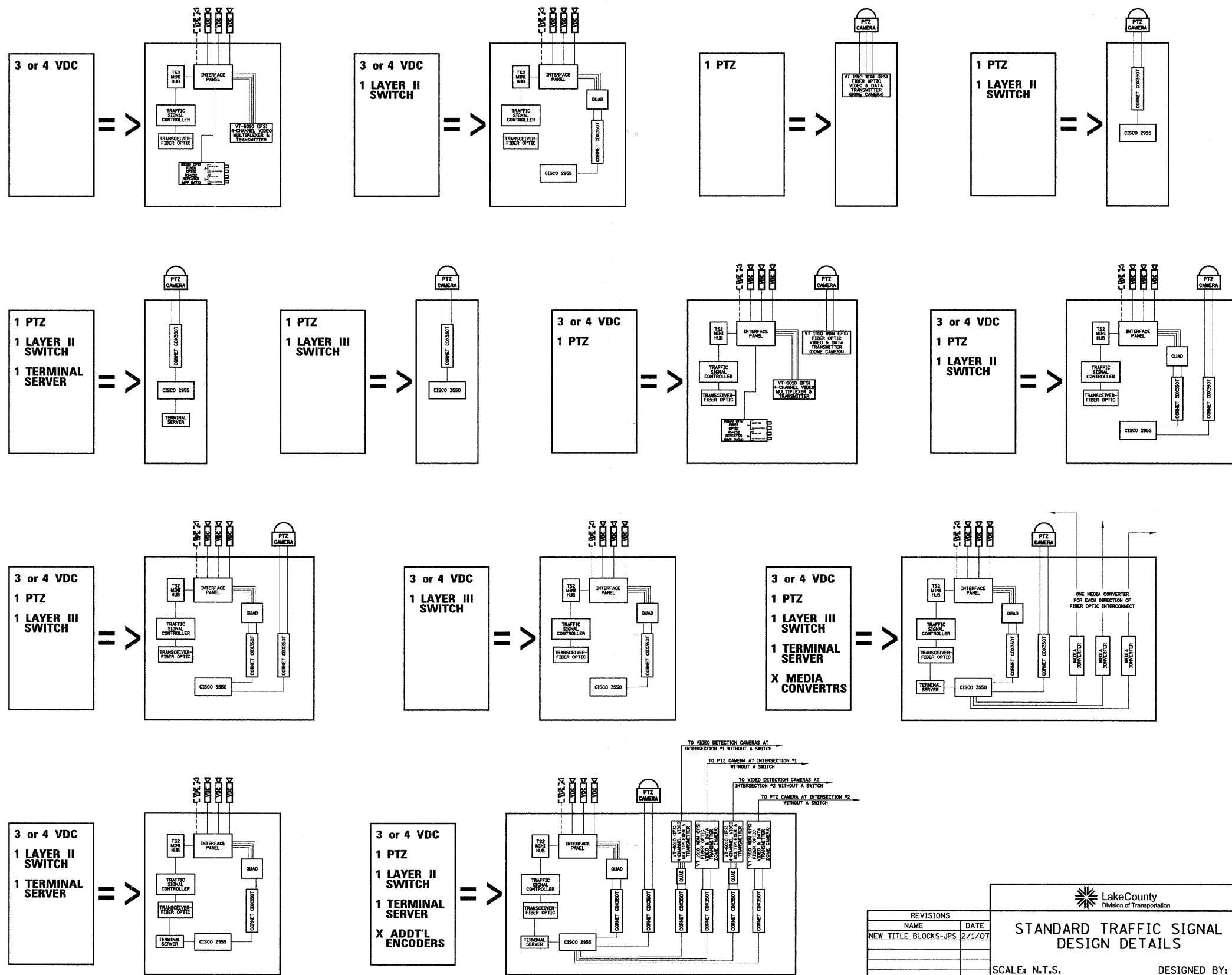
12 TOTAL MM FIBERS  
6 (OR 12) TERMINATED

12 (OR 24) TOTAL SM FIBERS  
6 (OR 12, 18, 24) SPLICED,  
6 (OR 12, 18, 24) TERMINATED

FIBER OPTIC FUSION SPLICING



FIBER OPTIC TERMINATION



REVISIONS		
NAME	DATE	
NEW TITLE BLOCKS-JPS	2/1/07	

**STANDARD TRAFFIC SIGNAL DESIGN DETAILS**  
 SCALE: N.T.S.      DESIGNED BY: JPS  
 DATE: 05/20/05      CHECKED BY: ANK