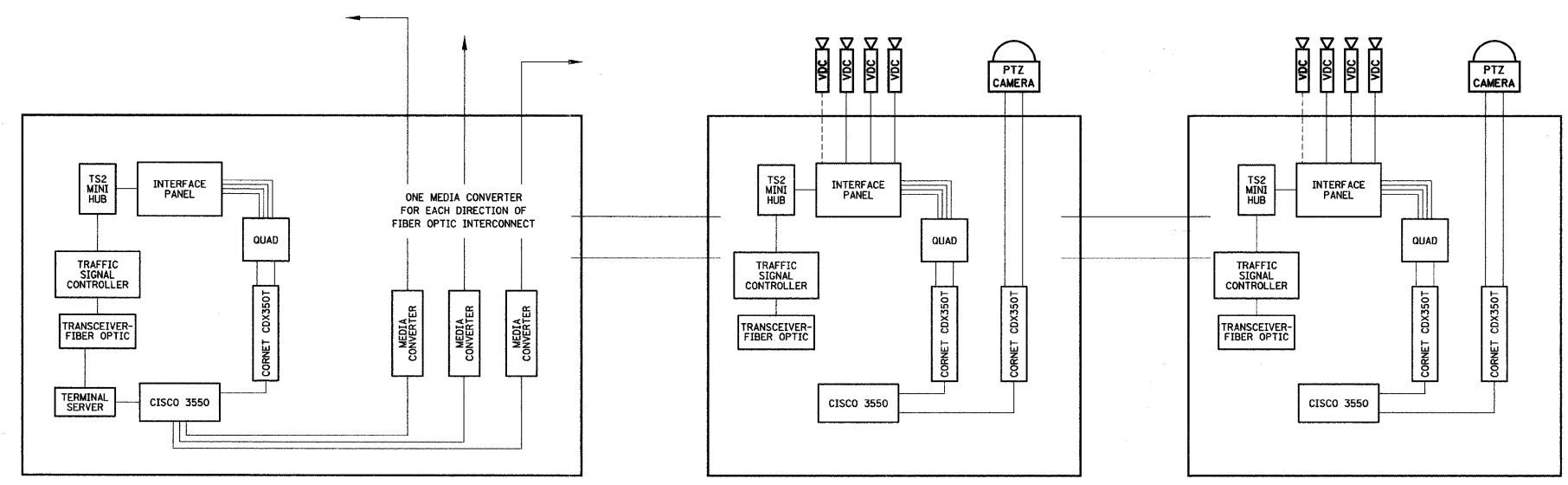


F.A.U. RTE.	SECTION	COUNTY	TOTAL SHEETS	SHEET NO.
1230	03-00159-00-PV	LAKE	262	165
STA.		TO STA.		
FED. ROAD DIST. NO. 1		ILLINOIS	FED. AID PROJECT	
CONTRACT: 83828				



CLIENT:	NO.	DATE	NATURE OF REVISION	CHKD.	DSGN.	ABR.	TITLE: VIDEO TRANSMISSION SYSTEM SCHEMATIC MARTIN LUTHER KING DRIVE GREEN BAY ROAD TO SHERIDAN ROAD NORTH CHICAGO, ILLINOIS	PROJECT NO.
					DWN.	FPB		SHEET OF
					CHKD.	GMZ		DRAWING NO.
					SCALE:	N.T.S.		
					DATE:	7/2/008		
	FILE NAME: N:\PROJ\5161\Design\Signal\Signal Detail Sheets\5161-02-Signal Detail.dgn							