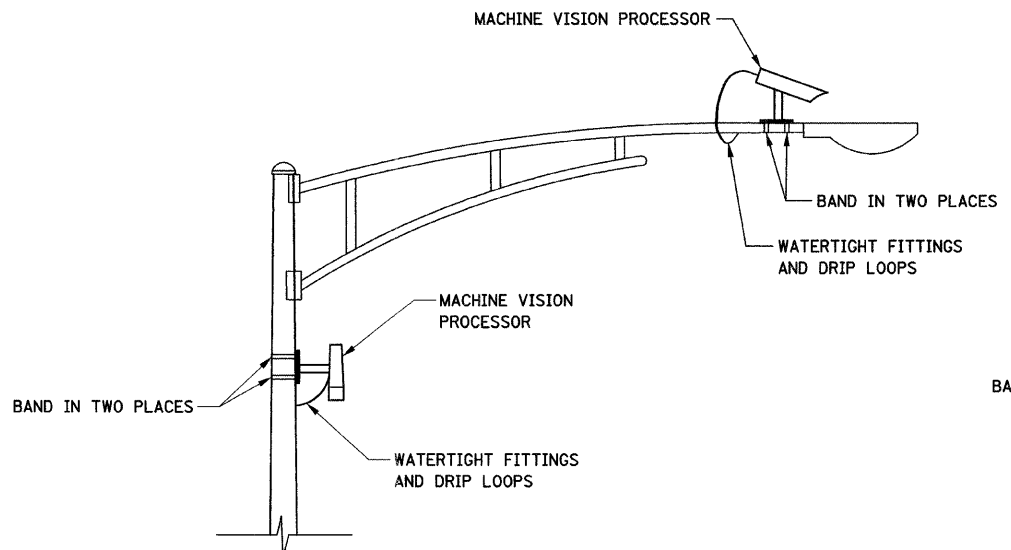
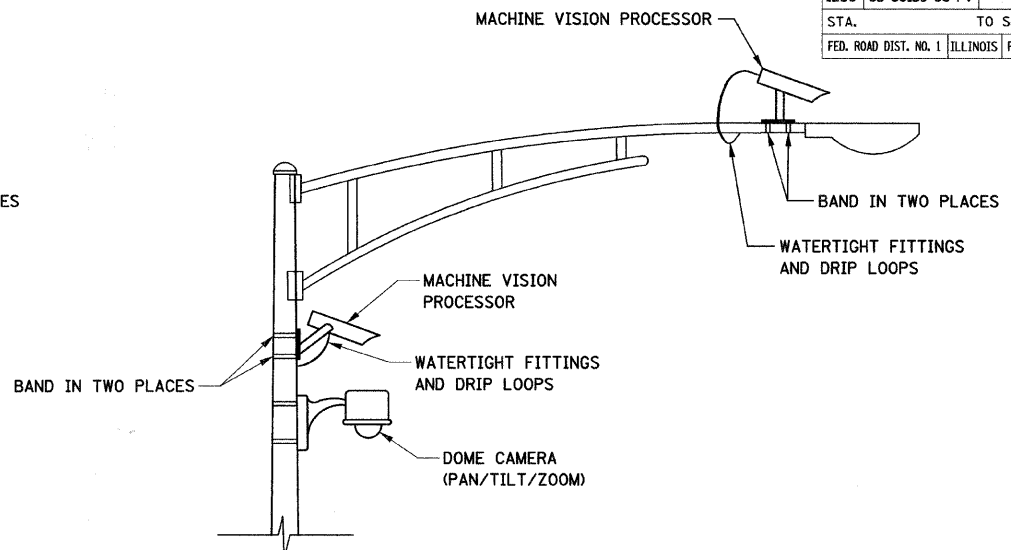


MACHINE VISION PROCESSOR MOUNTING DETAIL
(NOT TO SCALE)

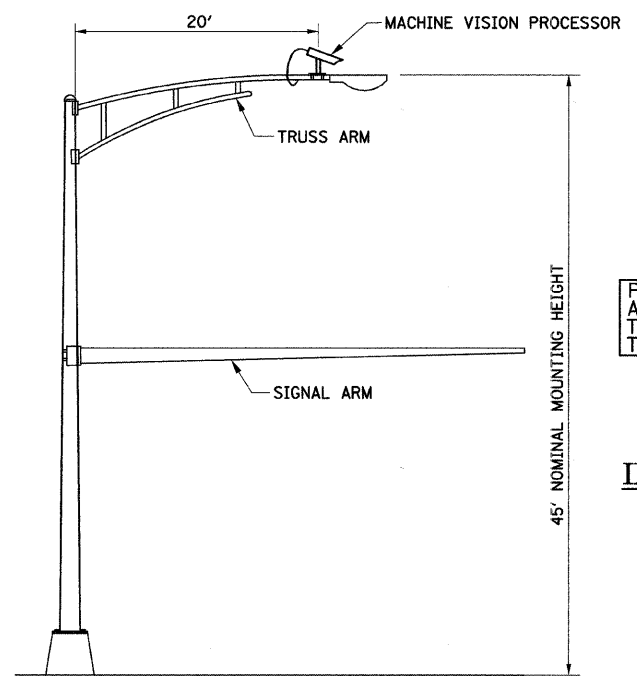


DUAL MACHINE VISION PROCESSORS MOUNTING DETAIL
(NOT TO SCALE)



DUAL MACHINE VISION PROCESSORS AND DOME (PTZ) CAMERA MOUNTING DETAIL
(NOT TO SCALE)

- NOTES FOR SINGLE, DUAL AND MULTIPLE MVP MOUNTING:
- MOUNT LUMINAIRE MOUNTING BRACKET AS HIGH AS POSSIBLE.
 - AIM BRACKET TOWARD DIRECTION OF TRAFFIC TO BE DETECTED.
 - MOUNT MACHINE VISION PROCESSOR AIMING DOWN AT 30 DEGREE ANGLE.



COMBINATION MAST ARM ASSEMBLY AND POLE DIMENSIONS
(NOT TO SCALE)

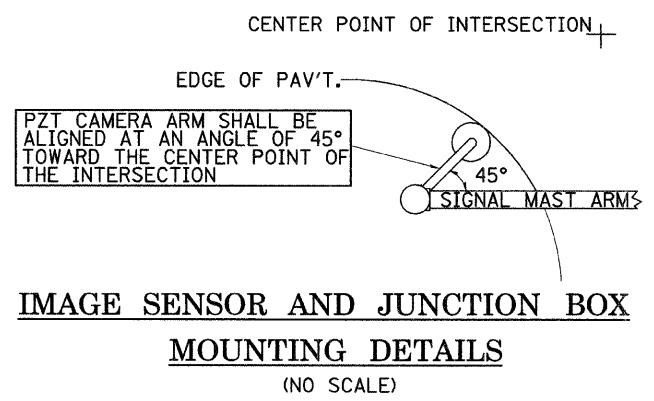
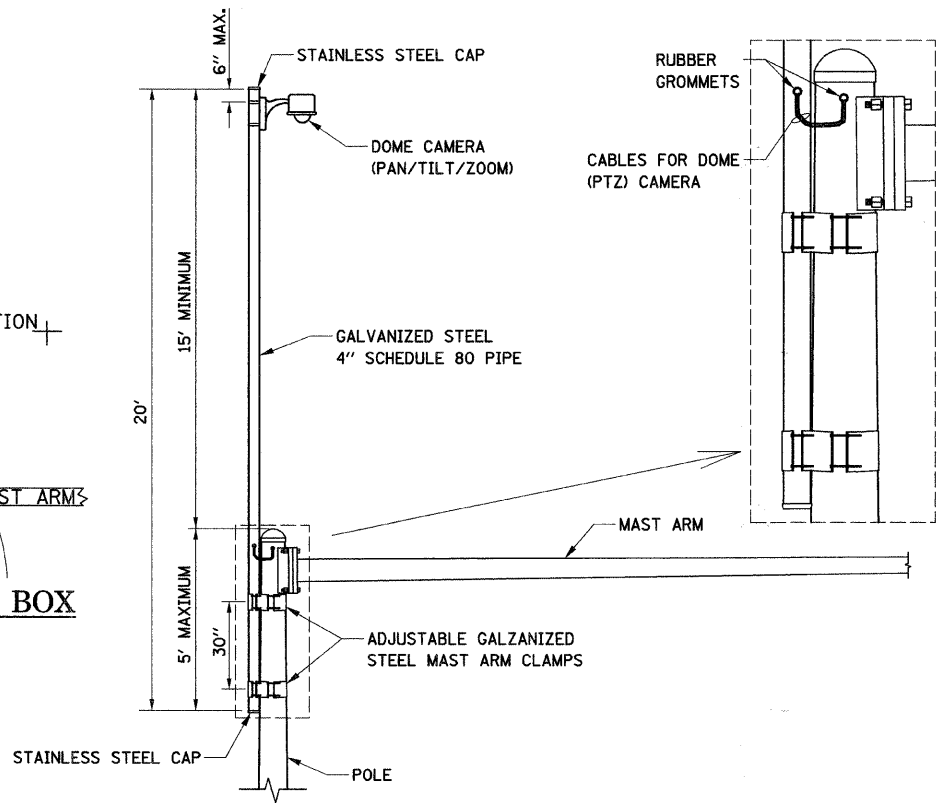
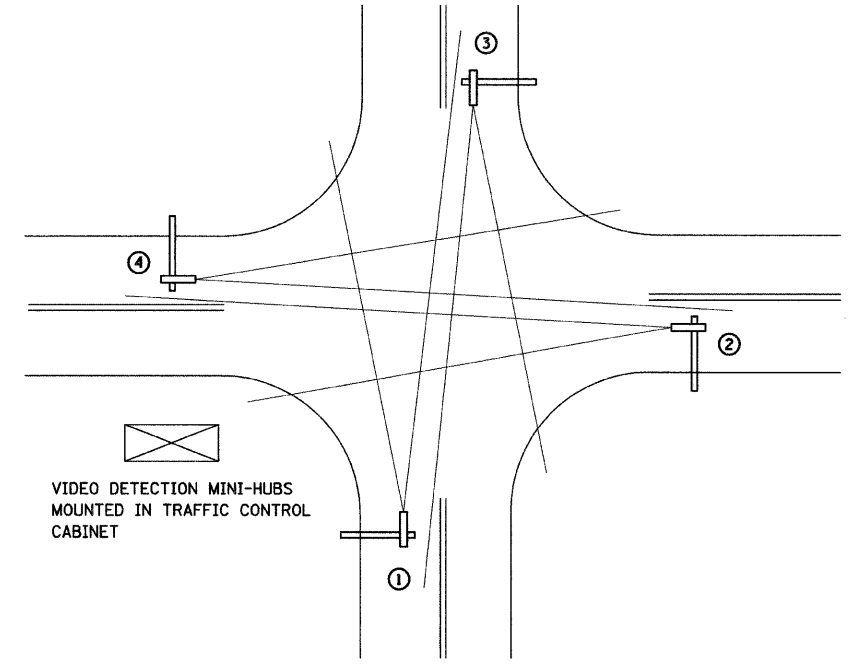


IMAGE SENSOR AND JUNCTION BOX MOUNTING DETAILS
(NO SCALE)



CAMERA MOUNTING ASSEMBLY DETAIL
(NOT TO SCALE)



TYPICAL VIDEO VEHICLE DETECTION SYSTEM
(NOT TO SCALE)

(4) MACHINE VISION PROCESSOR ASSEMBLIES AND BRACKETS ① ② ③ ④
POWER CABLE TO EACH MACHINE VISION PROCESSOR (24 VAC)

REVISIONS	
NAME	DATE

VIDEO DETECTION DETAILS

SCALE: NONE
 DATE: 03/03/04
 DESIGNED BY: JPS
 CHECKED BY: ANK