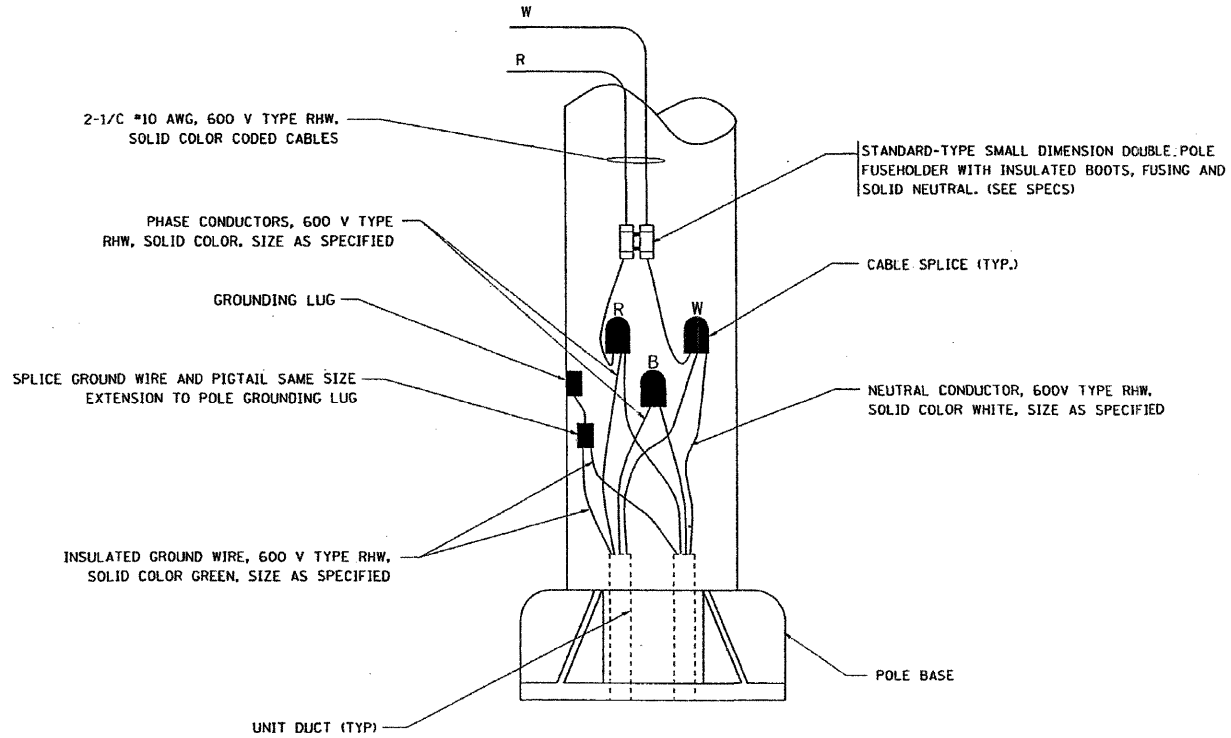
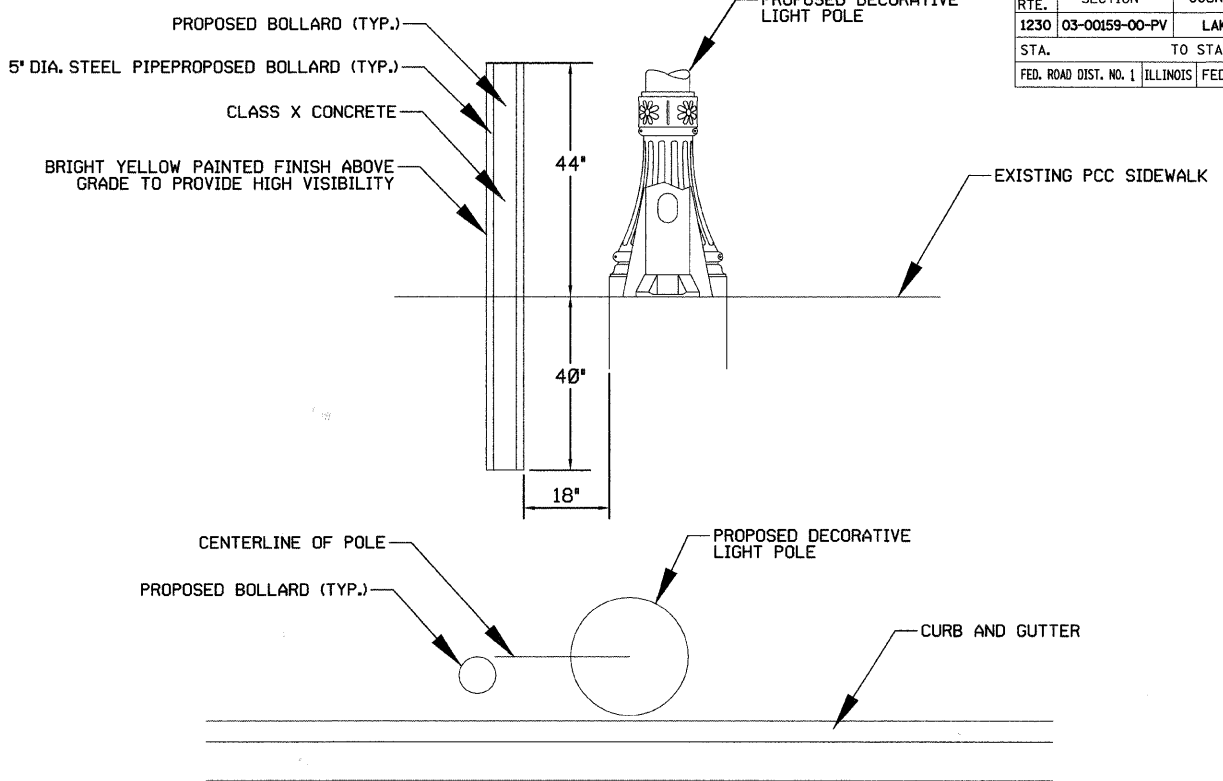


F.A.U. NO.	SECTION	COUNTY	TOTAL SHEETS	SHEET NO.
1230	03-00159-00-PV	LAKE	262	191
STA.		TO STA.		
FED. ROAD DIST. NO. 1		ILLINOIS	FED. AID PROJECT	
CONTRACT: 83828				

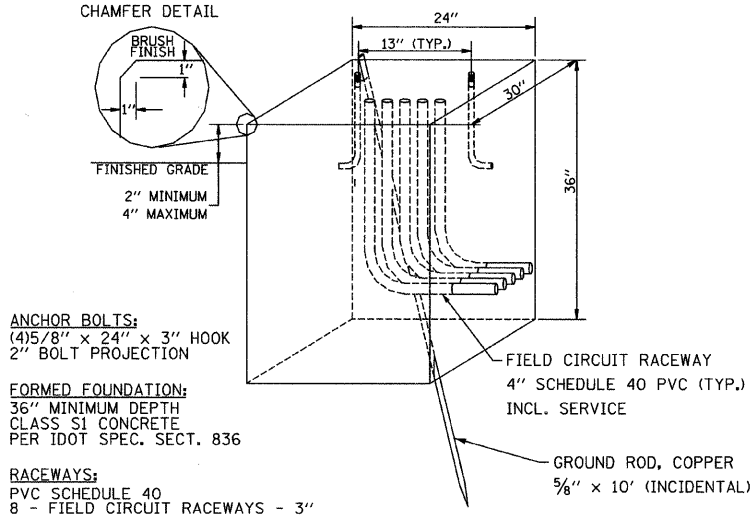


**POLE WIRING DETAIL**  
N.T.S.

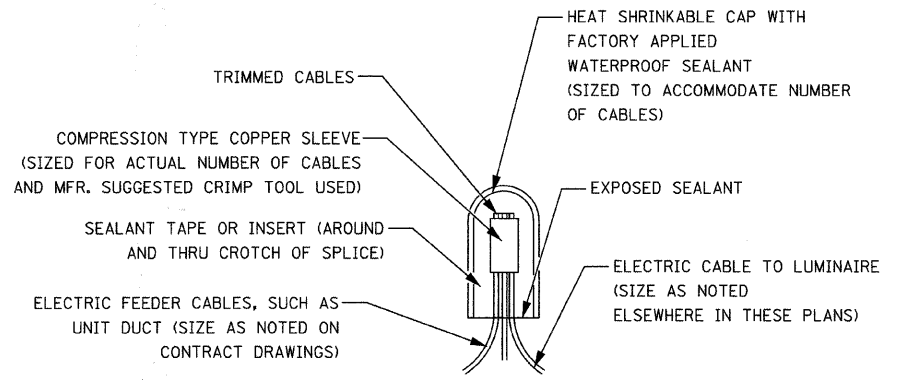


**BOLLARD DETAILS**  
NOT TO SCALE

PROPOSED BOLLARD LOCATION DETERMINED BY ENGINEER IN FIELD.



**LIGHTING CONTROLLER CABINET FOUNDATION**  
NOT TO SCALE



**ELECTRIC CABLE SPLICE DETAIL**

**Clorba Group, Inc.**  
CONSULTING ENGINEERS  
5507 North Cumberland Avenue, Suite 402 Chicago, Illinois 60656  
Tel. 773.775.4009 Fax. 773.775.4014 Email: chicago@clorba.com

REVISIONS	
NAME	DATE

CITY OF NORTH CHICAGO  
MARTIN LUTHER KING JR. DRIVE IMPROVEMENTS  
MARTIN LUTHER KING JR. DRIVE  
LIGHTING IMPROVEMENTS  
LIGHTING DETAILS

SCALE: NTS  
DATE: APRIL, 2008  
DRAWN BY: KDM  
CHECKED BY: JMV

DATE: 7/1/2008  
FILENAME: N:\PROJECTS\151\Design\Lighting\151.dwg