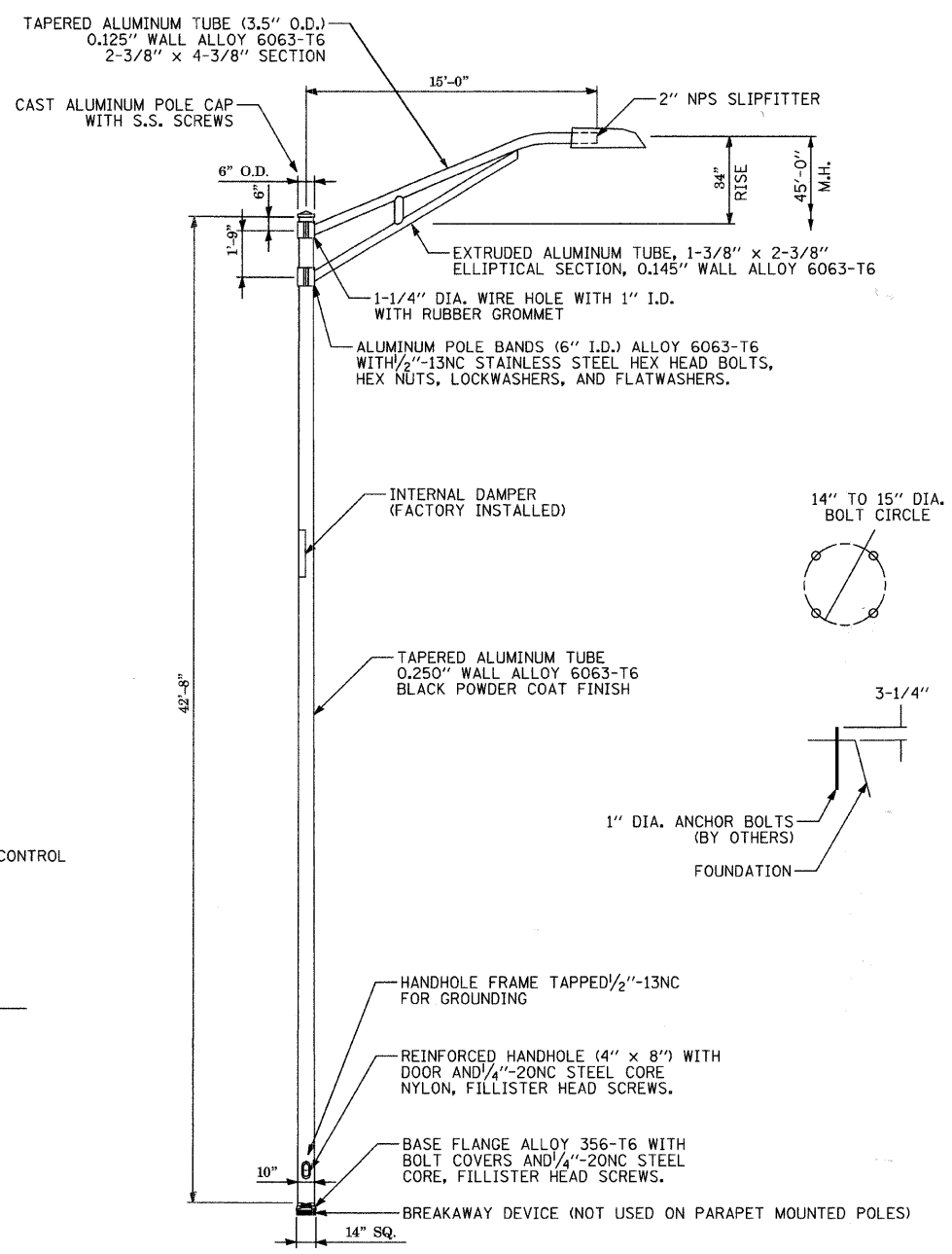


NOTE:
COMMONWEALTH EDISON SHALL BE CONTACTED BEFORE THE INSTALLATION WORK BEGINS FOR THE ELECTRIC POWER SUPPLY.

ELECTRIC SERVICE INSTALLATION
NOT TO SCALE



NOTES:
1. DESIGN SHALL MEET 1994 AASHTO STANDARD SPECIFICATIONS FOR STRUCTURAL SUPPORTS FOR HIGHWAY SIGNS, LUMINAIRES AND TRAFFIC SIGNALS FOR 80 MPH WIND LOADINGS WITH A 1.3 GUST LOAD FACTOR WITH A 75 POUND LUMINAIRE WITH 1.6 SQ. FT. E.P.A.

LIGHT POLE ALUMINUM, 45 FT. M.H., 15 FT. MAST ARM
NOT TO SCALE

DATE: 7/4/2008
FILENAME: N:\PROJ\03\1810\esign\lighting\1011.dwg

REVISIONS	
NAME	DATE

Clorba Group, Inc.
CONSULTING ENGINEERS
5507 North Cumberland Avenue, Suite 402 Chicago, Illinois 60656
Tel. 773.775.4009 Fax 773.775.4014 Email: chicago@clorba.com

CITY OF NORTH CHICAGO
MARTIN LUTHER KING JR. DRIVE IMPROVEMENTS
MARTIN LUTHER KING JR. DRIVE
LIGHTING IMPROVEMENTS
LIGHTING DETAILS

SCALE: NTS
DATE: APRIL, 2008
DRAWN BY: KDM
CHECKED BY: JMW