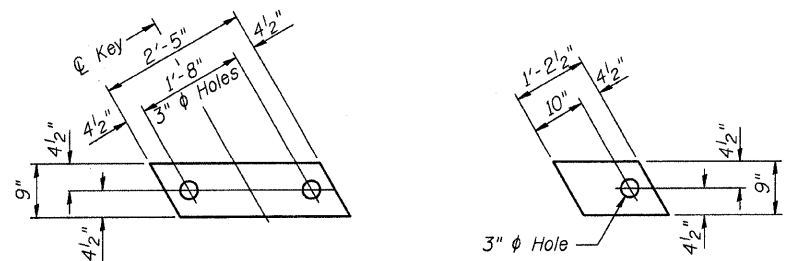
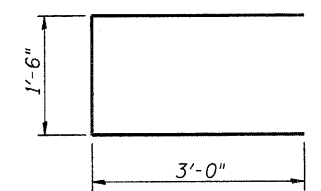


ROUTE	SECTION	COUNTY	TOTAL SHEETS	SHEET NO.
TR 437	05-10121-00-BR	FAYETTE	10	8
FED. ROAD DIST. NO. 7		ILLINOIS	FEDERAL AID PROJECT	
CONTRACT NO. 95550				

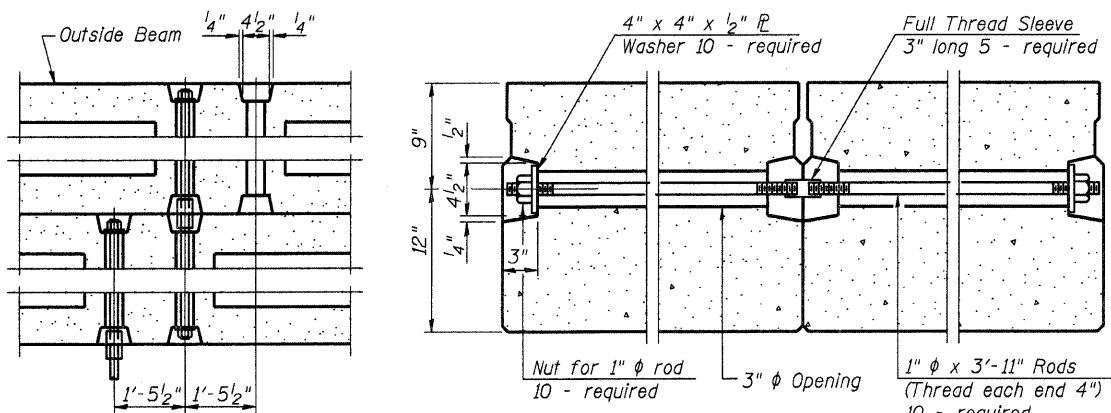


FABRIC BEARING PAD
(Interior)

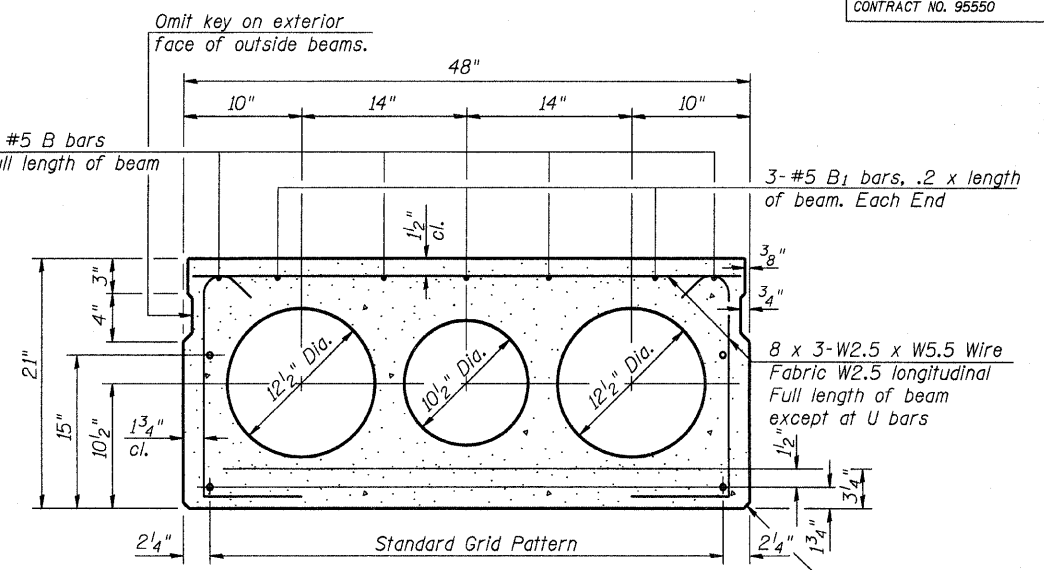
FABRIC BEARING PAD
(Exterior)



BAR U



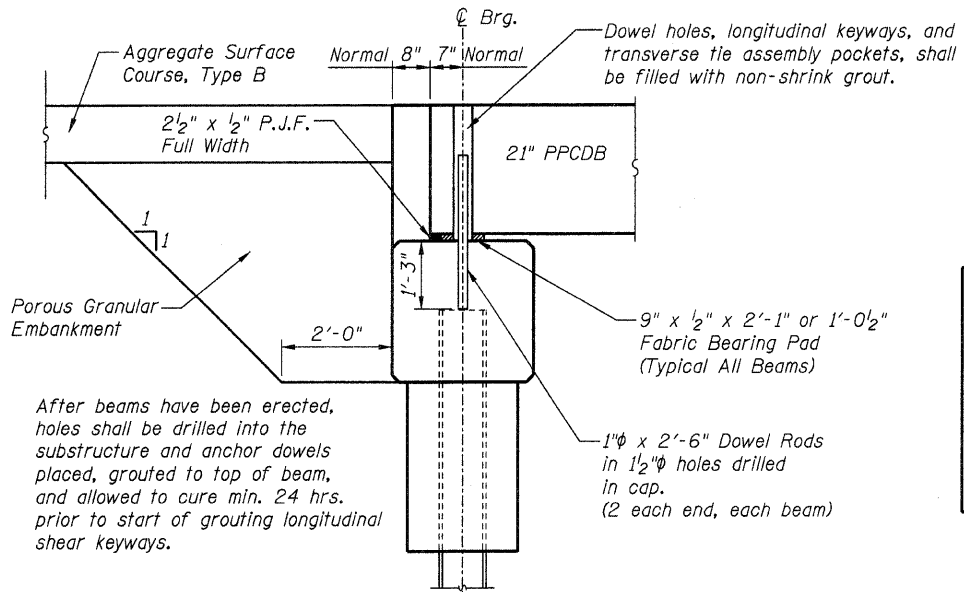
TYPICAL TRANSVERSE TIE ASSEMBLY



TYPICAL SECTION

20-1/2" ϕ Strands, Each Strand Stressed to 30,900 Lbs.
14-Strands 1 3/4" up, 4-Strands 3/4" up, 2-Strands 15" up

Note:
Place strands symmetrically about ϕ of beam.



FIXED ABUTMENT

After beams have been erected, holes shall be drilled into the substructure and anchor dowels placed, grouted to top of beam, and allowed to cure min. 24 hrs. prior to start of grouting longitudinal shear keyways.

NOTES

Prestressing steel shall be uncoated high strength, low relaxation 7-wire strand, Grade 270.

The nominal diameter shall be 1/2" and the nominal cross-sectional area shall be 0.153 sq. in.

See Special Provisions for lifting devices.

The 1" ϕ rods in the transverse tie assembly shall be tightened to a snug fit and the threads set. Pockets that receive transverse tie bar on outside shall be filled with grout after transverse tie assembly is in place.

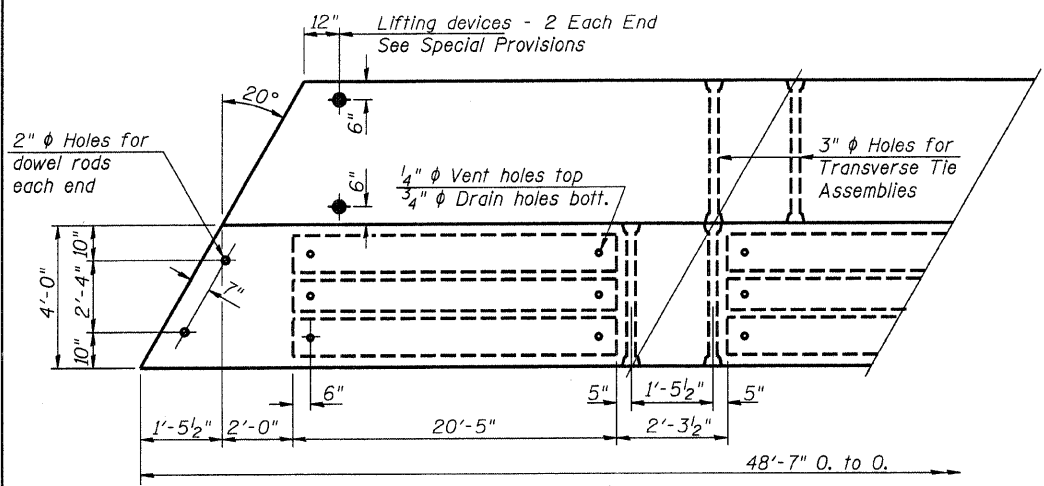
Non prestressing steel shall conform to ASTM A 706 (IL MOD), Grade 60.

The bearing seat surfaces shall be adjusted by shimming to assure firm and even bearing. Two 1/8" fabric adjusting shims of the dimensions of the Exterior Bearing Pad shall be provided for each bearing.

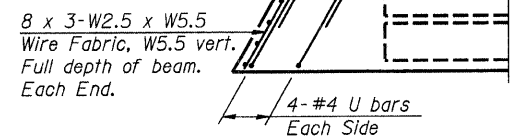
Keyway surfaces shall be cleaned to remove form oil or other bond breaking material prior to shipment of the beams. Cleaning shall be done by sandblasting the keyway areas between top of the beam and the bottom edge of the key.

Corrosion Inhibitor, per Article 1020.05(b)(12) of the Standard Specifications, shall be used in the concrete for precast prestressed concrete deck beams.

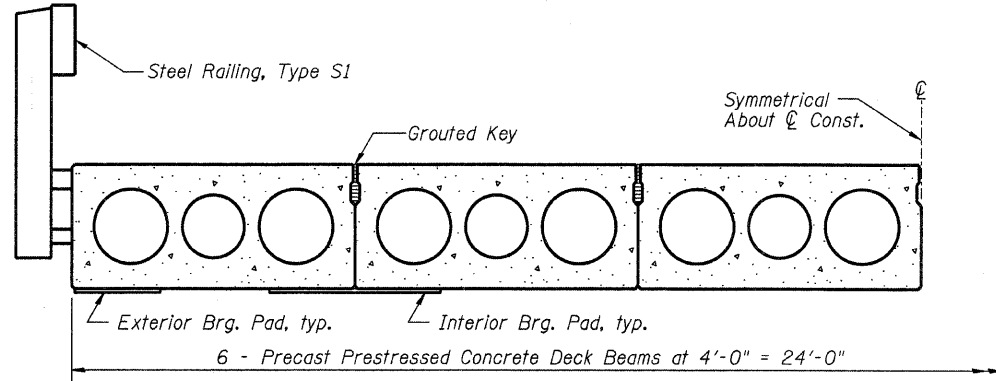
Required Release Strength, f'_{ci} , shall be 4000 p.s.i.



PLAN



END PLAN



HALF CROSS SECTION

BILL OF MATERIAL

Precast Prestressed Conc. Deck Bms.	Sq. Ft.	195

Contact Precaster to obtain estimate for deck beam handling weight.

PRECAST PRESTRESSED CONCRETE DECK BEAM DETAILS
PROPOSED BRIDGE OVER TRIBUTARY TO LITTLE HICKORY CREEK
TR 437
SECTION 05-10121-00-BR
FAYETTE COUNTY, ILLINOIS

Sheet 8 of 10
Job No. 51205