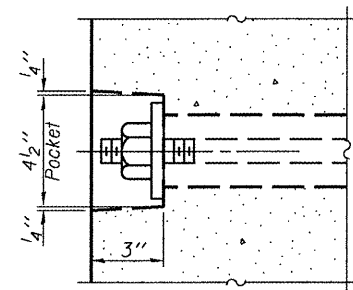


FABRIC BEARING PAD
(Interior)

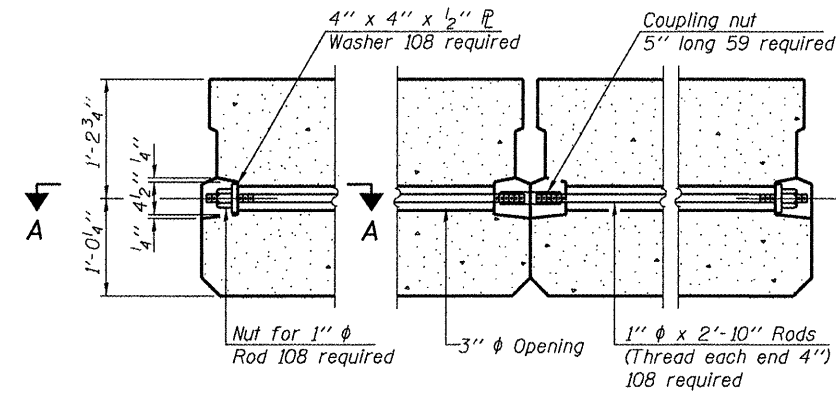
FABRIC BEARING PAD
(Exterior)

FIXED

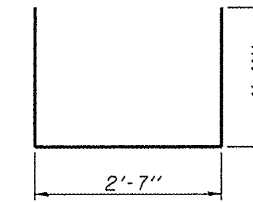
Note: Omit holes when using expansion bearings.



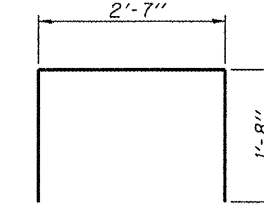
SECTION A-A



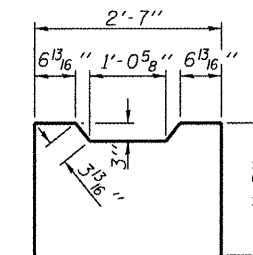
TYPICAL TRANSVERSE TIE ASSEMBLY



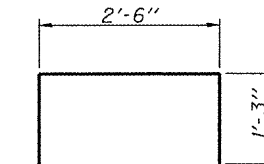
BAR S1(E)



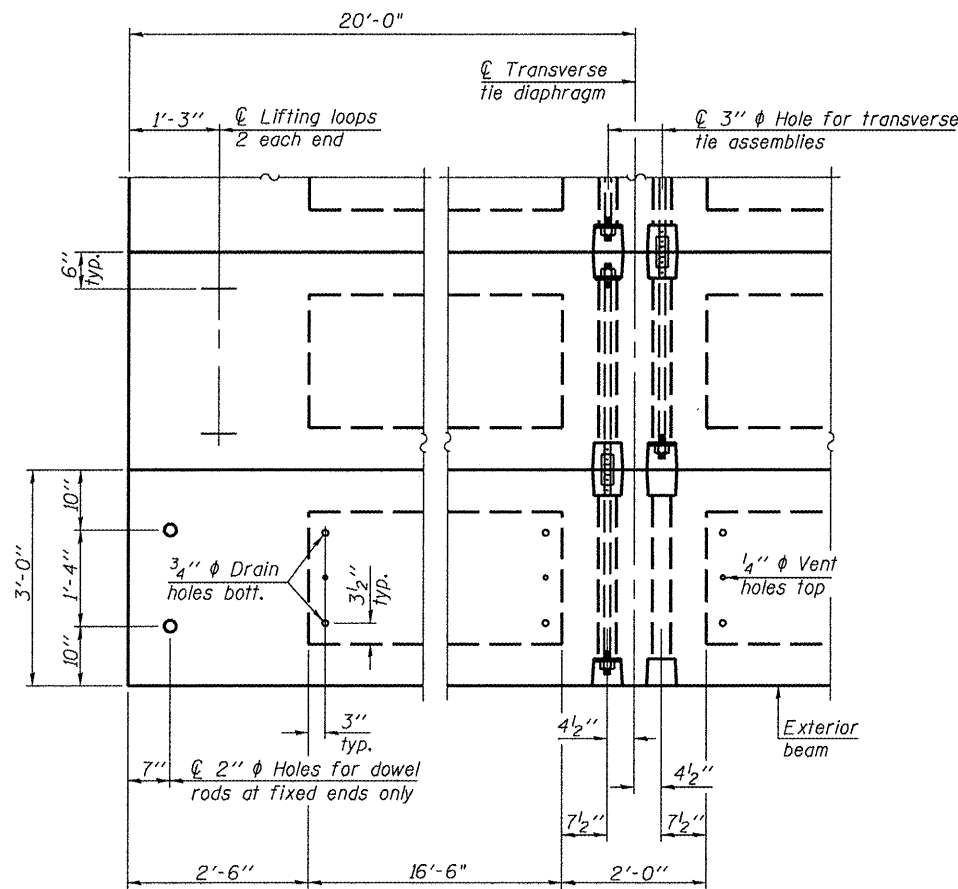
BAR S2(E)



BAR U1(E)



BAR U2(E)

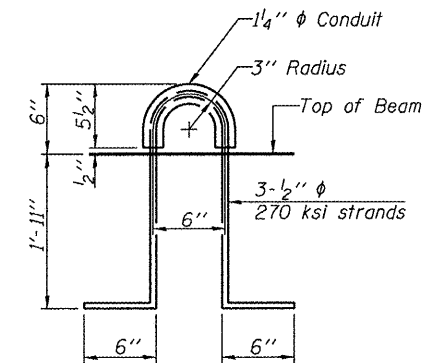


PLAN VIEW

Note: Connect beams in pairs with the transverse tie configuration shown.

NOTES

- Prestressing steel shall be uncoated high strength, low relaxation 7-wire strand, Grade 270. The nominal diameter shall be 1/2" and the nominal cross-sectional area shall be 0.153 sq. in.
- The 1" rods in the transverse tie assembly shall be tightened to a snug fit and the threads set. Pockets on exterior faces of bridge shall be filled with grout after transverse tie assembly is in place.
- Reinforcement bars shall conform to ASTM A 706, Grade 60. (See Special Provisions).
- Two 1/8" fabric adjusting shims of the dimensions of the exterior bearing pad shall be provided for each bearing pad location.
- A minimum 2 1/2" diameter lifting pin shall be used to engage the lifting loops during handling.
- Corrosion Inhibitor, per Article 1020.05(b)(12) and 1021.06 of the Standard Specifications, shall be used in the concrete for precast prestressed concrete deck beams.
- Compressive strength of prestressed concrete, f'c, shall be 6000 psi.
- Compressive strength of prestressed concrete at release, f'ci, shall be 5000 psi.



LIFTING LOOP DETAIL

BILL OF MATERIAL

Precast Prestressed Conc. Deck Bms. (27" depth)	Sq. Ft.	5,400
---	---------	-------

L:\Jobs\DOT\BBS\6956\BBS\6956\05\CADD\Struc\Madison_06-18111-00-BR.dgn

USER NAME = dhaberling	DESIGNED - SDS	REVISED
	DRAWN - DLH	REVISED
PLOT SCALE = 0:2.0000' = 1" IN.	CHECKED -	REVISED
PLOT DATE = 7/17/2008	DATE -	REVISED

WHKS & CO.
ENGINEERING

7018 KINGSMILL CT.,
SPRINGFIELD, IL
(217) 483-9457
DESIGN FIRM #184001036

STATE OF ILLINOIS
DEPARTMENT OF TRANSPORTATION

SUPERSTRUCTURE DETAILS		
27" x 36" PPC DECK BEAMS		
SCALE:	SHEET NO. 10 OF 20 SHEETS	STA.

T.R. RTE.	SECTION	COUNTY	TOTAL SHEETS	SHEET NO.
67	06-18111-00-BR	MADISON	20	10
S.N. -	CONTRACT		97356	
FED. ROAD DIST. NO. [ILLINOIS] FED. AID PROJECT				