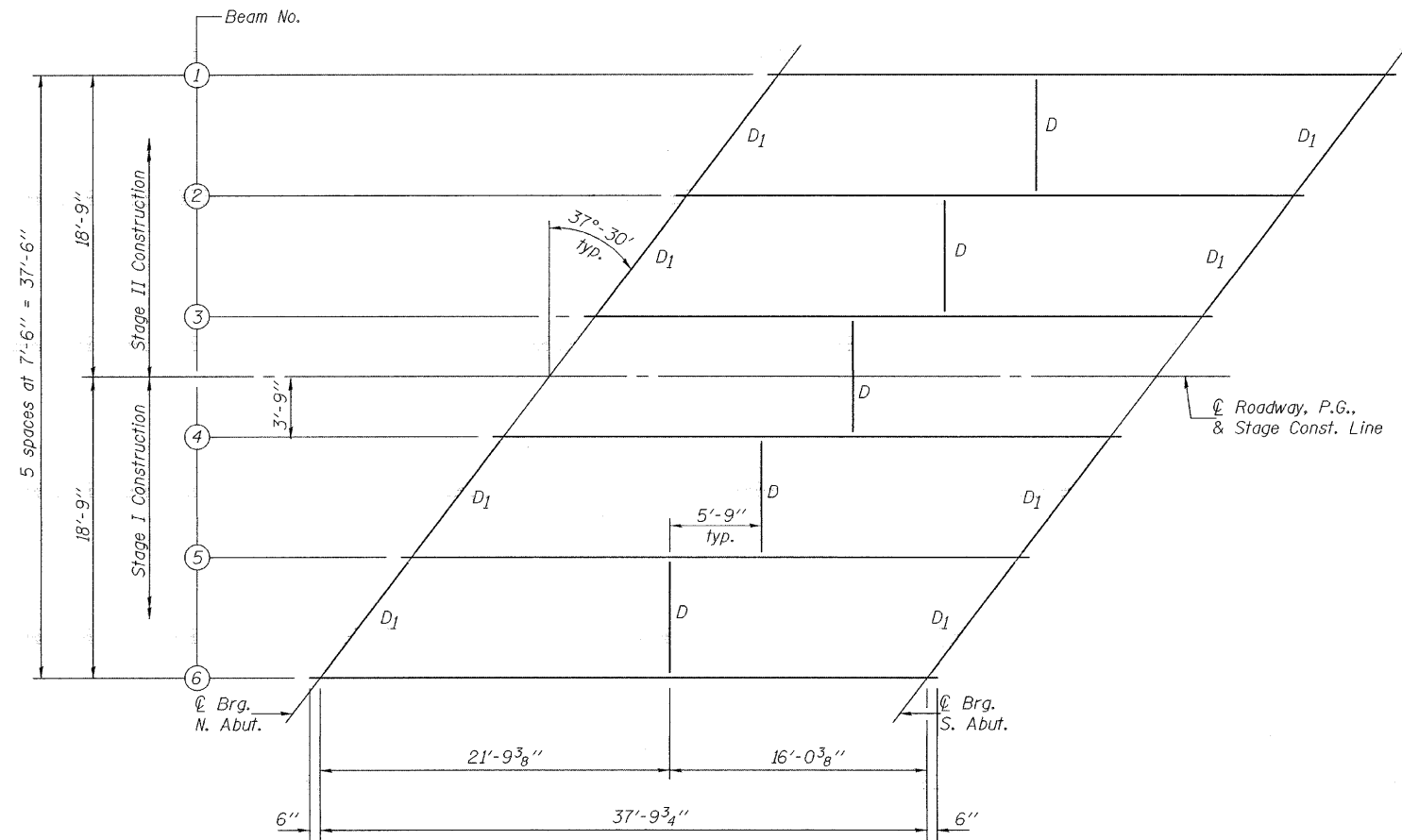


STATE OF ILLINOIS  
DEPARTMENT OF TRANSPORTATION

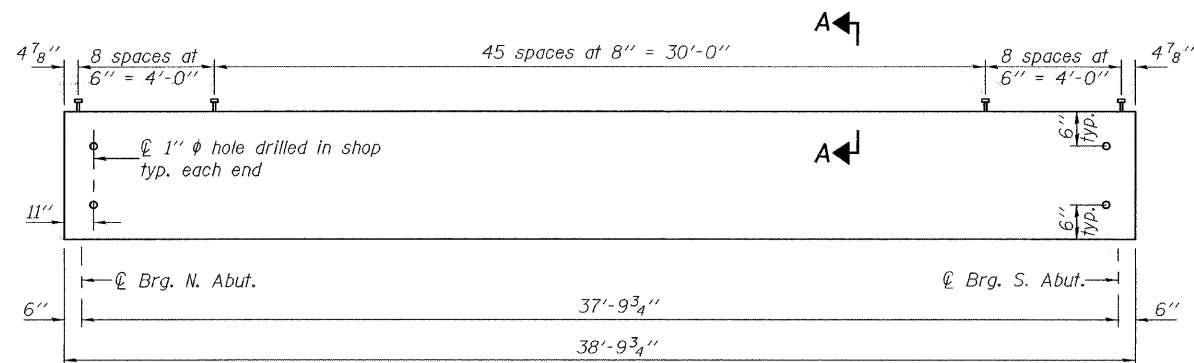
ROUTE NO.	SECTION	COUNTY	TOTAL SHEETS	SHEET NO.	SHEET NO. 12 20 SHEETS
F.A.P. 322	12-1, BR	UNION	36	23	
FED. RDWD DIST. NO. 7	ILLINOIS	FED. AID PROJECT-			

Contract #98886

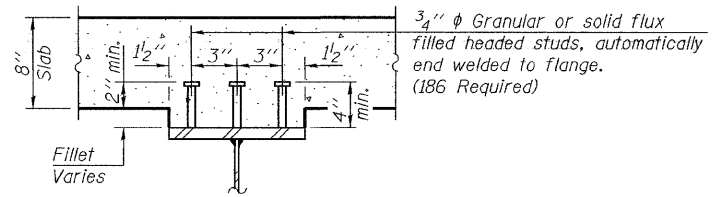


**FRAMING PLAN**

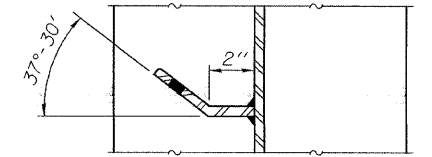
All beams are W24x84 (NTR) M270 Gr. 50.



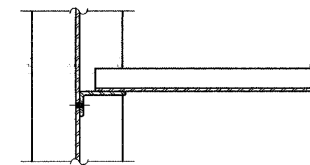
**ELEVATION**



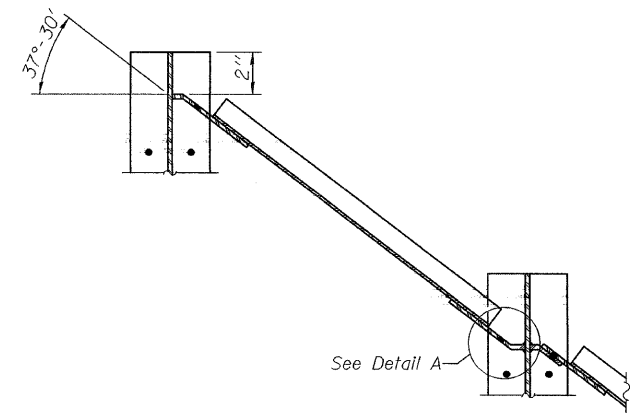
**SECTION A-A**



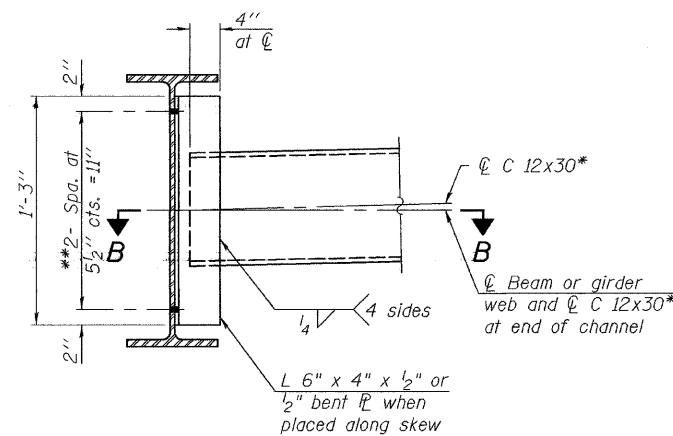
**DETAIL A**



**SECTION B-B**

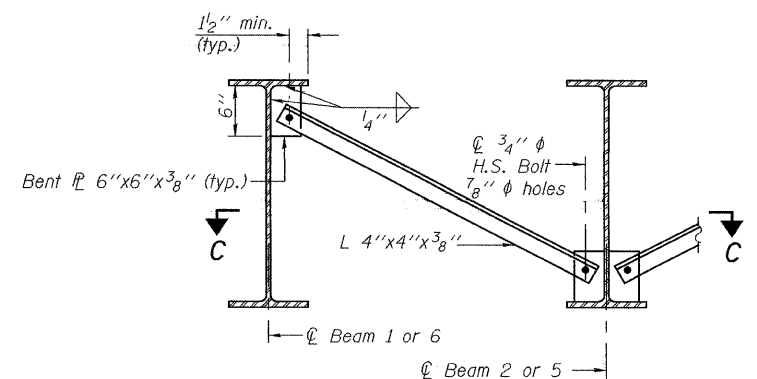


**SECTION C-C**



**DIAPHRAGM D**

(5 required)



**DIAPHRAGM D1**

(8 required)

Note:  
Two hardened washers required for each set of oversized holes.  
NTR denotes Notch Toughness Requirements.

\* Alternate channels are permitted to facilitate material acquisition. Calculated weight of structural steel is based on the lighter section.

\*\* 3/4" phi HS bolts, 1 5/16" phi holes

**STRUCTURAL STEEL**  
F.A.P. ROUTE 322 - SECTION 12-1, BR  
UNION CO.  
STATION 801+60.00  
STRUCTURE NO. 091-0022

DESIGNED	Patrick M. Petrone
CHECKED	Jay D. Edwards
DRAWN	BECKY M. LEACH
CHECKED	PMP/JDE

EXAMINED	Thomas J. Damagalki	July 22, 2008
PASSED	Ralph E. Anderson	