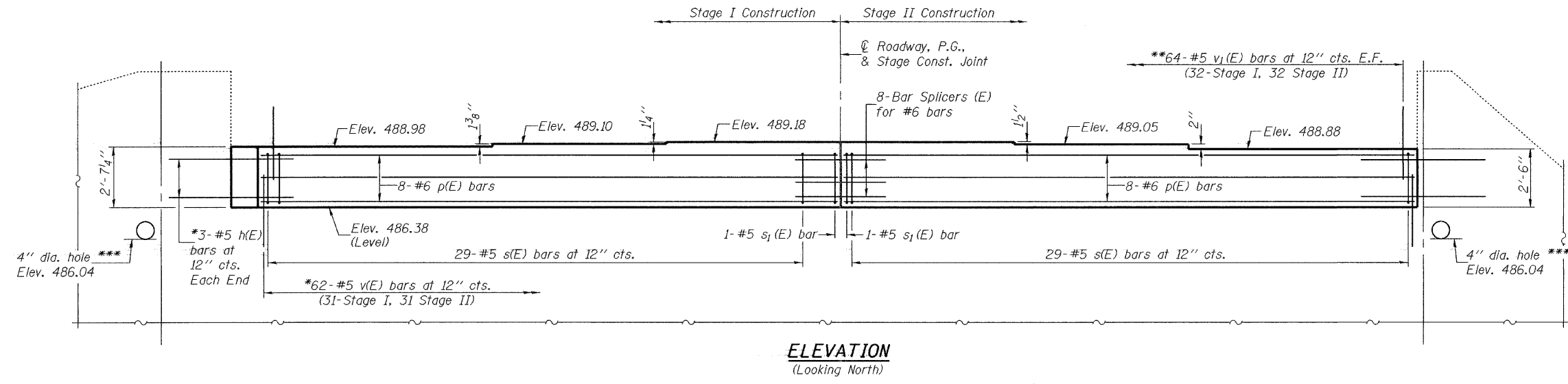


Note: Existing reinforcement shall be cleaned, straightened and incorporated into new construction.

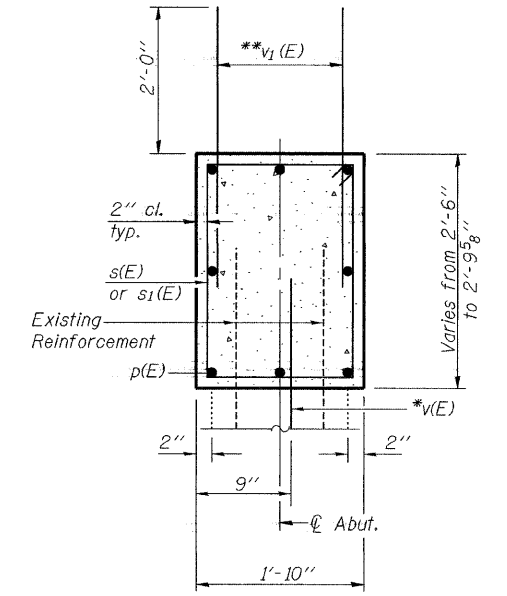
STATE OF ILLINOIS
DEPARTMENT OF TRANSPORTATION

ROUTE NO.	SECTION	COUNTY	TOTAL SHEETS	SHEET NO.	SHEET NO. 16 20 SHEETS
F.A.P. 322	12-1, BR	UNION	36	32	
FED. ROAD DIST. NO. 7	ILLINOIS	FED. AID PROJECT-			

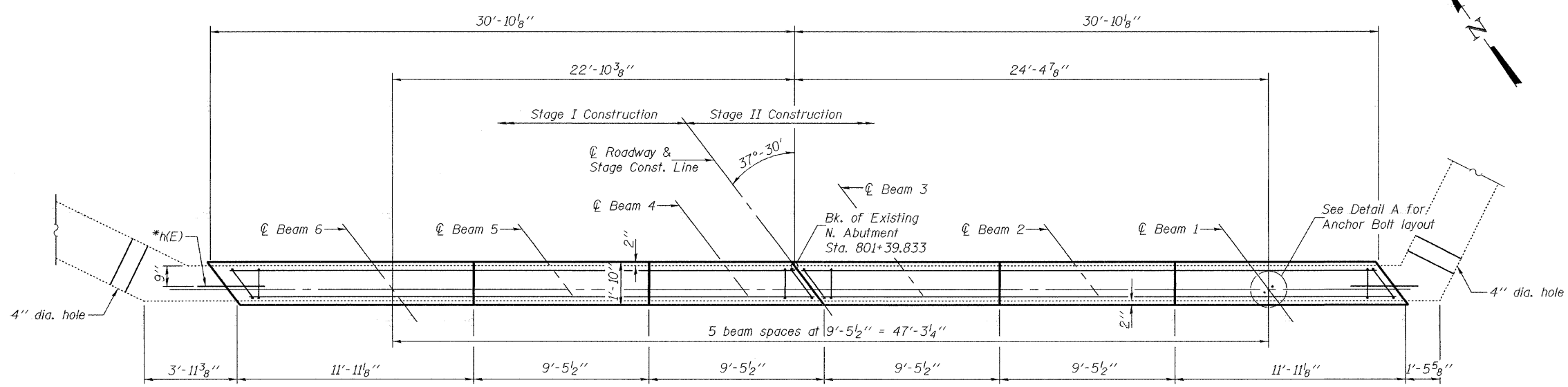
Contract #98886



ELEVATION
(Looking North)



SEC. THRU ABUT.



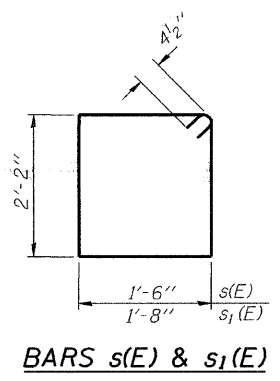
PLAN

BILL OF MATERIAL

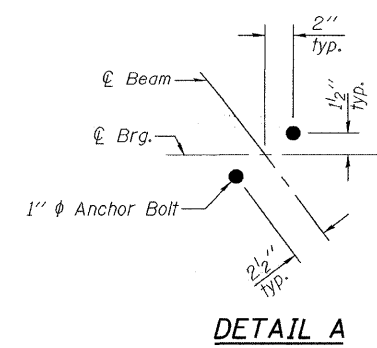
Bar	No.	Size	Length	Shape
h(E)	6	#5	2'-9"	—
p(E)	16	#6	30'-7"	—
s(E)	58	#5	8'-1"	□
s1(E)	2	#5	8'-5"	□
v(E)	62	#5	2'-9"	—
v1(E)	128	#5	4'-0"	—
Concrete Superstructures				Cu. Yd.
Reinforcement Bars, Epoxy Coated				Pound 1970
Bar Splicers (E)				Each 8

For details of Bar Splicers, see sheet 19 of 20.

*h(E) and v(E) bars shall be epoxy grouted into 9" deep holes as per Section 584 of the Standard Specifications.
 **Space v1(E) bars to clear Beams 1-6 by min. of 3" horizontally.
 ***Drill 4" dia. hole and connect to abutment drain. Cost shall be included in the Cost of Pipe Underdrains for Structures, see sheet 2 of 20.



BARS s(E) & s1(E)



DETAIL A

DESIGNED	Patrick M. Petrone
CHECKED	Jay D. Edwards
DRAWN	BECKY M. LEACH
CHECKED	PMP/JDE

July 22, 2008
 EXAMINED *Thomas J. Domagalaki*
 PASSED *Ralph E. Anderson*
 ENGINEER OF BRIDGE DESIGN
 ENGINEER OF BRIDGES AND STRUCTURES

NORTH ABUTMENT
F.A.P. ROUTE 322 - SECTION 12-1, BR
UNION CO.
STATION 801+60.00
STRUCTURE NO. 091-0022