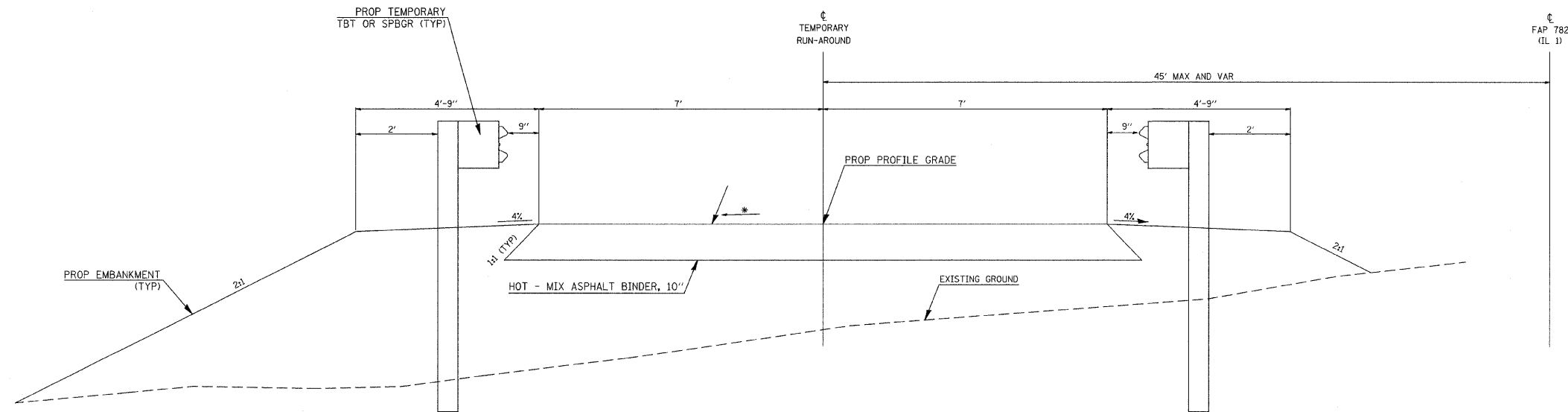


F.A.P. RTE.	SECTION	COUNTY	TOTAL SHEETS	SHEET NO.
782	114B-2	GALLATIN	62	7
STA. _____ TO STA. _____		FED. ROAD DIST. NO. _____ ILLINOIS FED. AID PROJECT		



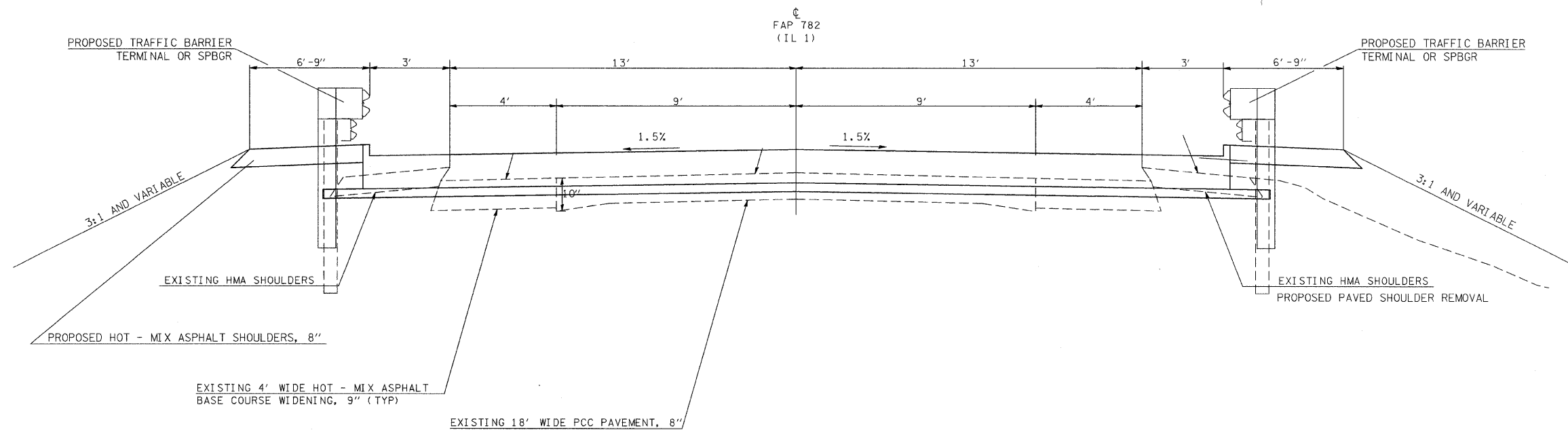
TYPICAL SECTION

(TEMPORARY ONE LANE RUNAROUND)
LOOKING SOUTH

TO BE USED : STA 1+48 TO STA 3+84.80
STA 5+39.55 TO STA 7+46
TEMPORARY BRIDGE OMISSION: STA 3+84.80 TO STA 5+39.55

STRUCTURAL DESIGN TRAFFIC: 2028
PV = 2225 SU = 315 MU = 410
ROAD/STREET CLASSIFICATION: Class II ROAD
PERCENT OF STRUCTURAL DESIGN TRAFFIC IN DESIGN LANE:
P = 75% S = 11% M = 14%
TRAFFIC FACTOR: Actual TF = 0.52515
Minimum TF = 0.42975

*SEE SHEET 14 FOR PAVEMENT CROSS SLOPES



TYPICAL SECTION

TO BE USED
STA 802+58 TO STA 802+93
STA 804+27 TO STA 804+62

PLOT DATE = 6/20/2008
FILE NAME = c:\p\projects\98887\F1\98887.dwg
PLOT SCALE = 50.0000 / IN.
USER NAME = shanegdy