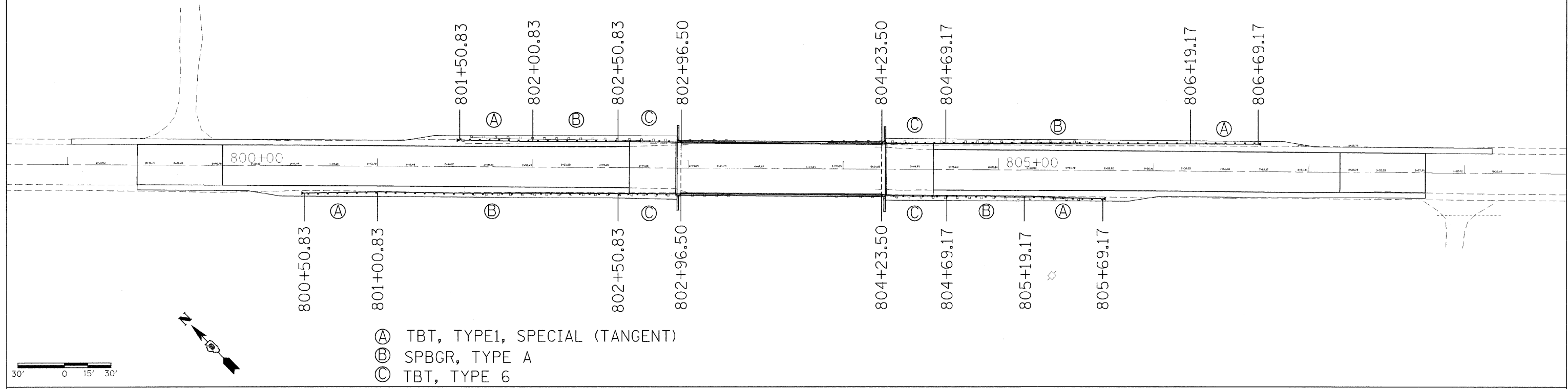
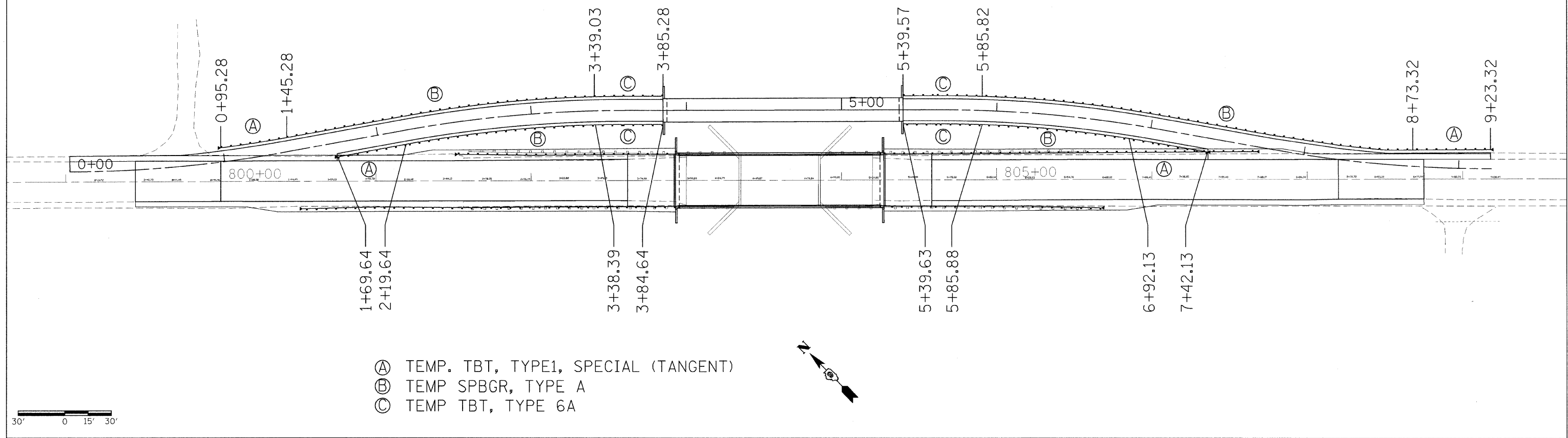


F.A.P. RTE.	SECTION	COUNTY	TOTAL SHEETS	SHEET NO.
782	114B-2	GALLATIN	62	17
STA.		TO STA.		
FED. ROAD DIST. NO.		ILLINOIS	FED. AID PROJECT	

PERMANENT GUARDRAIL PLAN



TEMPORARY GUARDRAIL AND TERMINAL PLAN



PLOT DATE = 6/17/2008
 FILE NAME = c:\proje\sa\98887\114B-2\guardrail\guardrail.dwg
 PLOT SCALE = 3/8"=1'-0"
 USER NAME = shapardgd