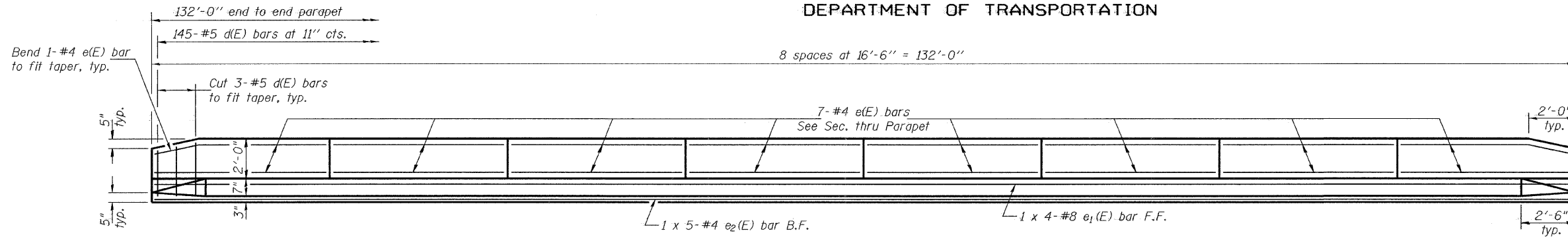


STATE OF ILLINOIS  
DEPARTMENT OF TRANSPORTATION

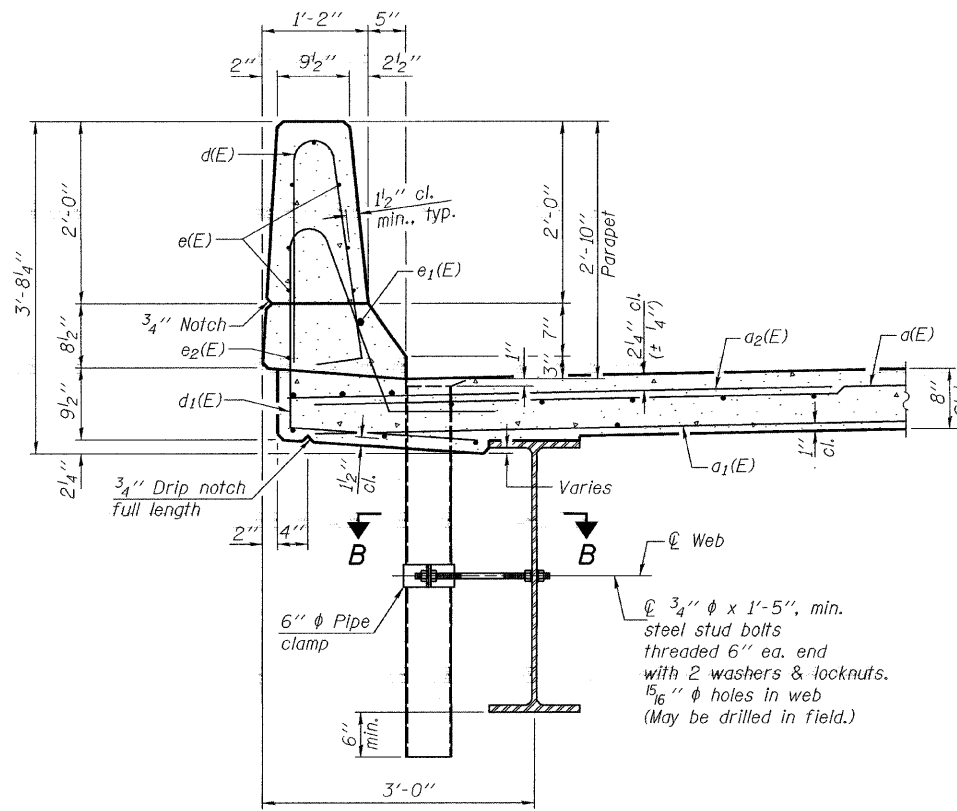
ROUTE NO.	SECTION	COUNTY	TOTAL SHEETS	SHEET NO.	SHEET NO. 9
FAP 782	114B-2	GALLATIN	62	21	18 SHEETS
FED. ROAD DIST. NO. 7	ILLINOIS	FED. AID PROJECT-			

Contract No. 98887

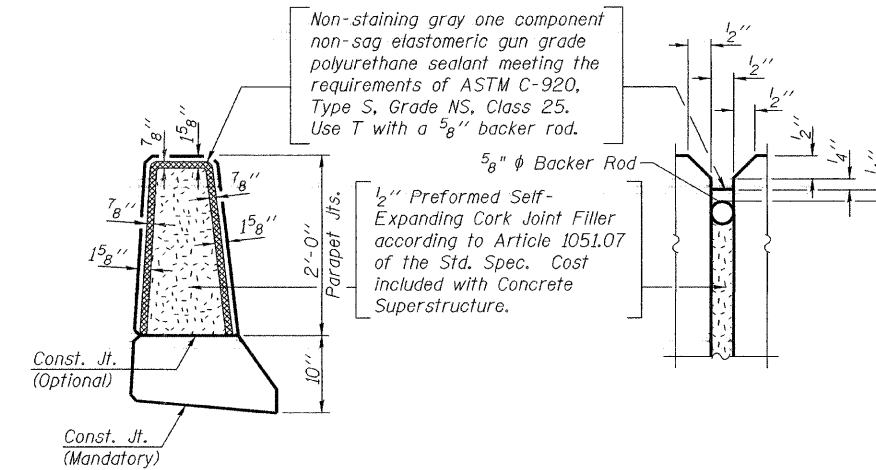


**INSIDE ELEVATION OF EAST PARAPET**  
(Looking East - West parapet similar)

**MIN. BAR LAPS**  
(Parapet)  
#4 bar = 1'-4"  
#8 bar = 3'-5"



**SECTION THRU PARAPET**



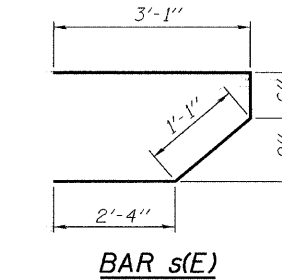
**PARAPET JOINT DETAILS**

Notes:  
The exterior surfaces of the floor drains shall be painted with the finish coat as specified in the special provisions for Cleaning and Painting New Metal Structures. The exterior surfaces of the drains shall be cleaned according to Steel Structures Painting Council's Spec. SSPC-SP1 prior to painting. Fiberglass pipe shall conform to ASTM D 2996, with short-time rupture strength hoop tensile stress of 30,000 p.s.i. minimum. Drains shall be located clear of diaphragms.

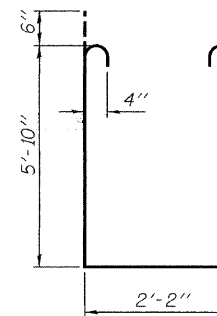
**SUPERSTRUCTURE  
BILL OF MATERIAL**

Bar	No.	Size	Length	Shape
a(E)	227	#5	34'-6"	—
a1(E)	159	#5	33'-5"	—
a2(E)	454	#6	6'-0"	—
b(E)	228	#5	23'-4"	—
b1(E)	155	#5	27'-8"	—
d(E)	290	#5	5'-7"	┌
d1(E)	290	#5	7'-6"	┌
e(E)	112	#4	16'-2"	—
e1(E)	8	#8	35'-7"	—
e2(E)	10	#4	27'-6"	—
m(E)	4	#6	33'-0"	—
m1(E)	10	#6	34'-10"	—
m2(E)	60	#6	8'-0"	—
m3(E)	10	#6	5'-8"	—
m4(E)	4	#6	2'-7"	—
s(E)	82	#5	7'-0"	┌
s1(E)	72	#4	14'-10"	┌
v(E)	68	#5	3'-4"	┌
Reinforcement Bars, Epoxy Coated		Pound	37020	
Concrete Superstructure		Cu. Yds.	187.6	
Floor Drains		Each	14	

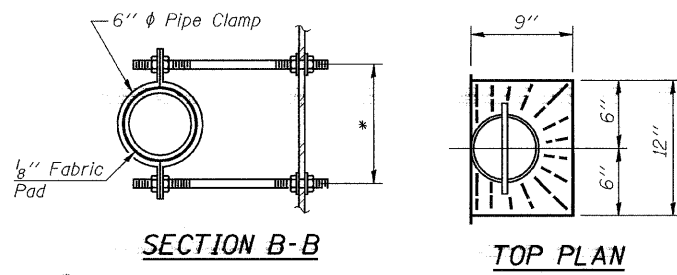
Bars indicated thus 1 x 5-#5 etc. indicates 1 line of bars with 5 lengths per line.



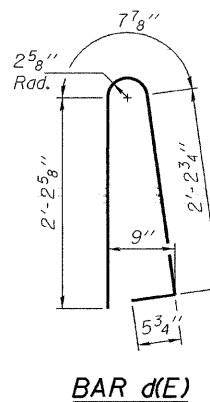
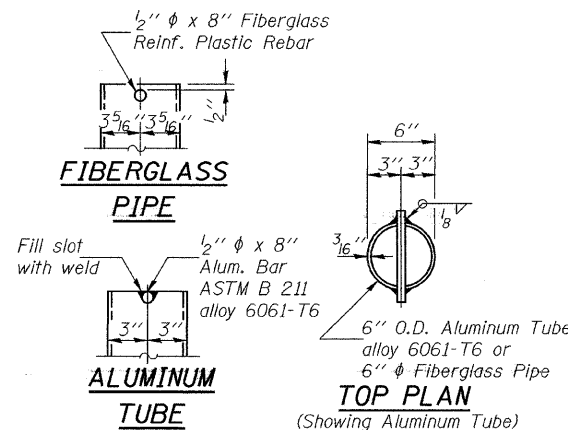
**BAR s(E)**



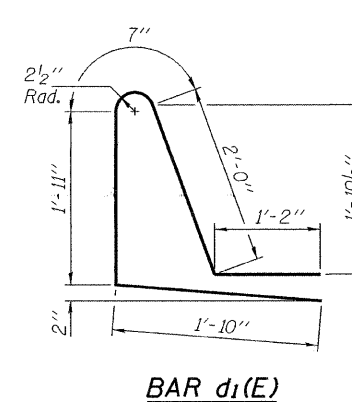
**BAR s1(E)**



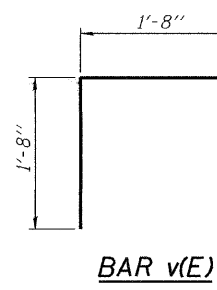
\*Dimension as required by Pipe Clamp



**BAR d(E)**



**BAR d1(E)**



**BAR v(E)**

DESIGNED	C.C. Chau
CHECKED	D.H. Coultas
DRAWN	h.t. duong
CHECKED	CCC/DHC

July 21, 2008  
EXAMINED *Thomas J. Damagala*  
PASSED *Ralph E. Anderson*  
ENGINEER OF BRIDGES AND STRUCTURES

**SUPERSTRUCTURE DETAILS**  
F.A.P. RTE. 782 - SECTION 114B-2  
GALLATIN COUNTY  
STATION 803+60.00  
STRUCTURE NO. 030-0024