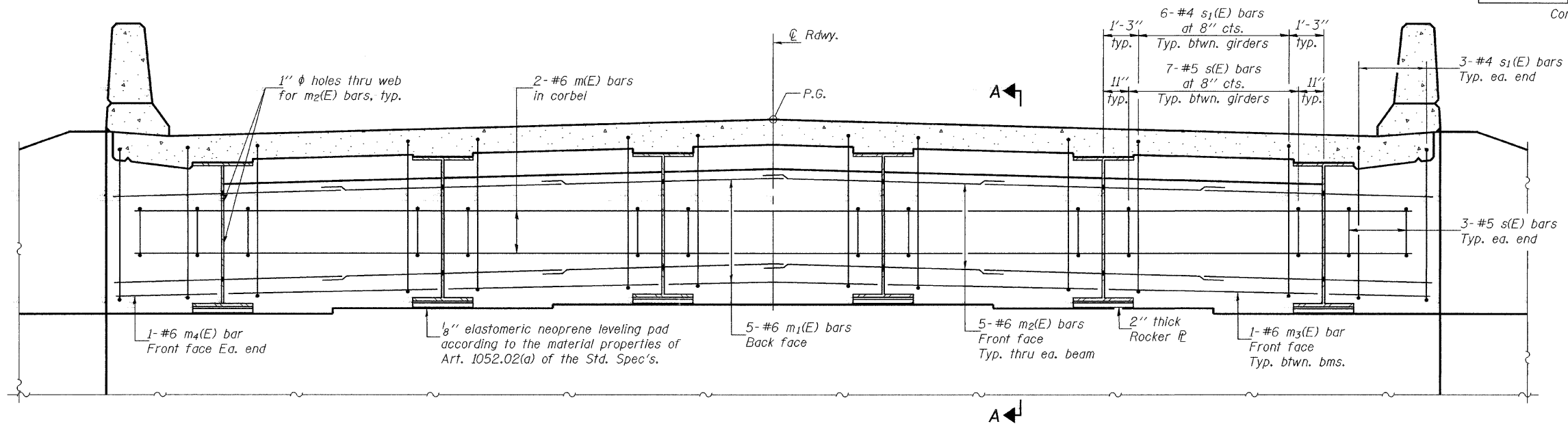


STATE OF ILLINOIS
DEPARTMENT OF TRANSPORTATION

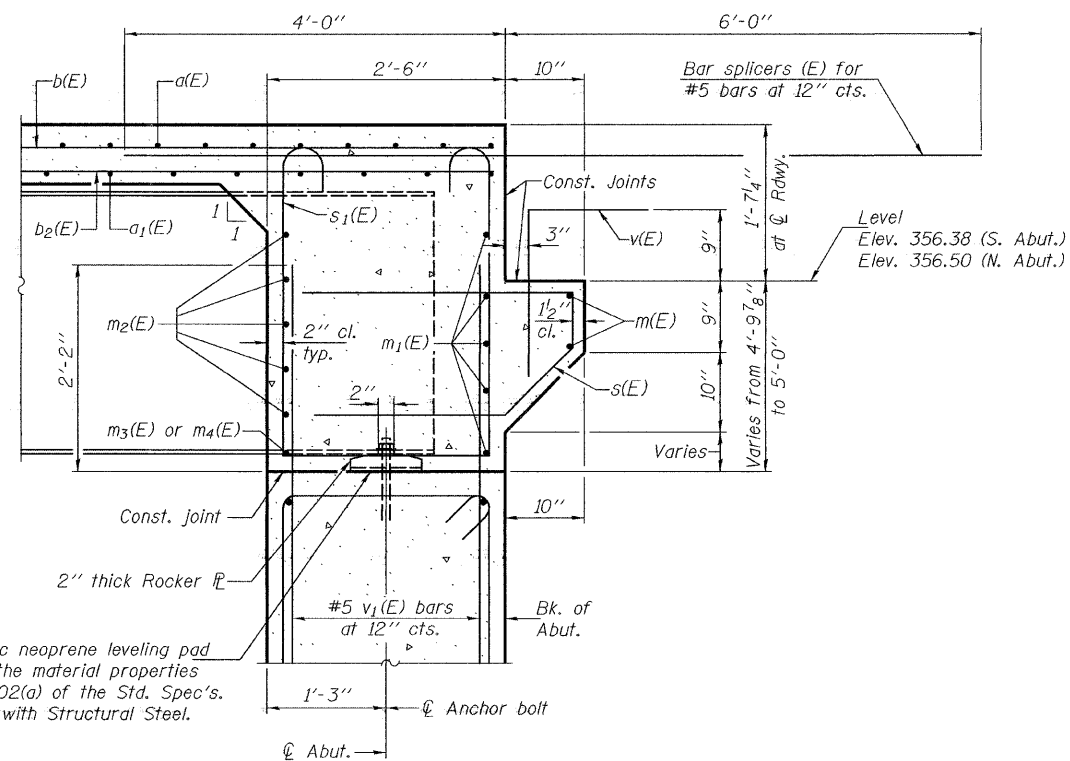
ROUTE NO.	SECTION	COUNTY	TOTAL SHEETS	SHEET NO.	SHEET NO. 10
FAP 782	114B-2	GALLATIN	62	28	18 SHEETS
FED. ROAD DIST. NO. 7	ILLINOIS	FED. AID PROJECT	Contract No. 98887		



DIAPHRAGM ELEVATION AT SOUTH ABUTMENT

(Looking South - North abut. similar)

Notes: Reinforcement bars in diaphragm are billed with superstructure on sheet 9 of 18.
Concrete in diaphragm is included with Concrete Superstructure on sheet 9 of 18.
For details of bars s(E) & s₁(E) see sheet 9 of 18.
Bars indicated 2 x 2-#6 etc. indicates 2 lines of bars with 2 lengths per line.
For bar splicer details see sheet 15 of 18.



MIN. BAR LAP
#6 bar = 2'-7"

SECTION A-A

DESIGNED	C.C. Chau
CHECKED	D.H. Coultas
DRAWN	h.t. duong
CHECKED	CCC/DHC

July 21, 2008
EXAMINED *Thomas J. Domagala*
PASSED *Ralph E. Anderson*
ENGINEER OF BRIDGES AND STRUCTURES

DIAPHRAGM DETAILS
F.A.P. RTE. 782 - SECTION 114B-2
GALLATIN COUNTY
STATION 803+60.00
STRUCTURE NO. 030-0024