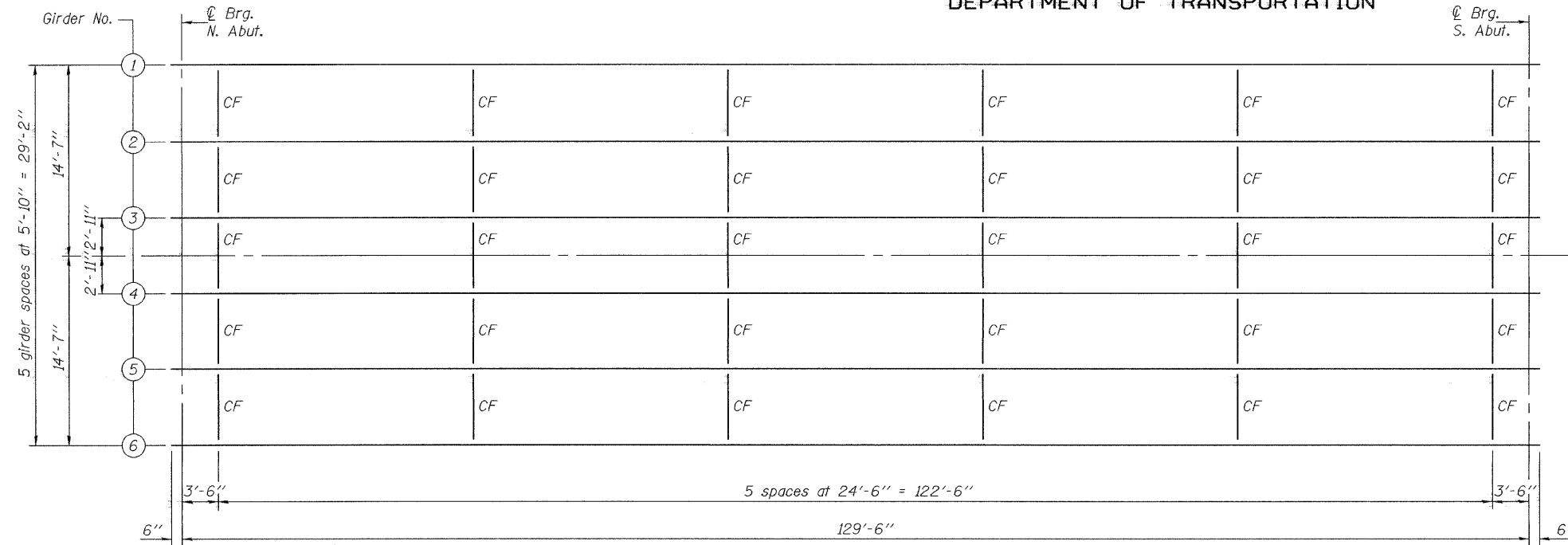


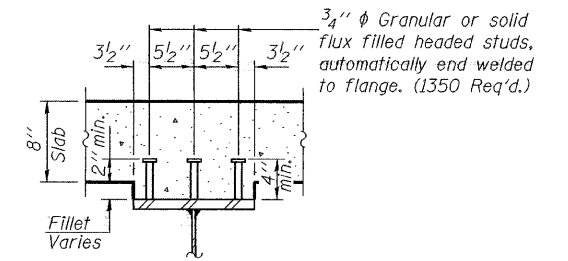
STATE OF ILLINOIS  
DEPARTMENT OF TRANSPORTATION

ROUTE NO.	SECTION	COUNTY	TOTAL SHEETS	SHEET NO.	SHEET NO. 11 18 SHEETS
FAP 782	I14B-2	GALLATIN	62	29	
FED. ROAD DIST. NO. 7	ILLINOIS	FED. AID PROJECT			

Contract No. 98887

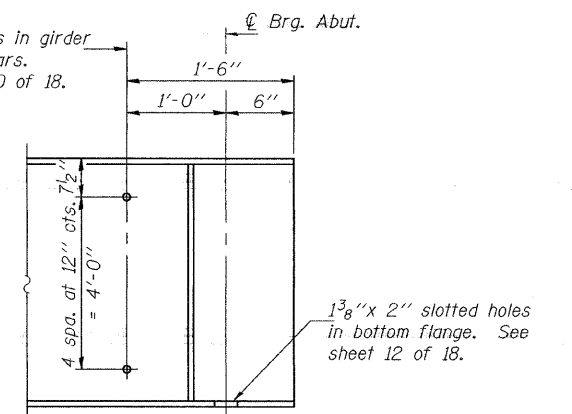


**PLAN**

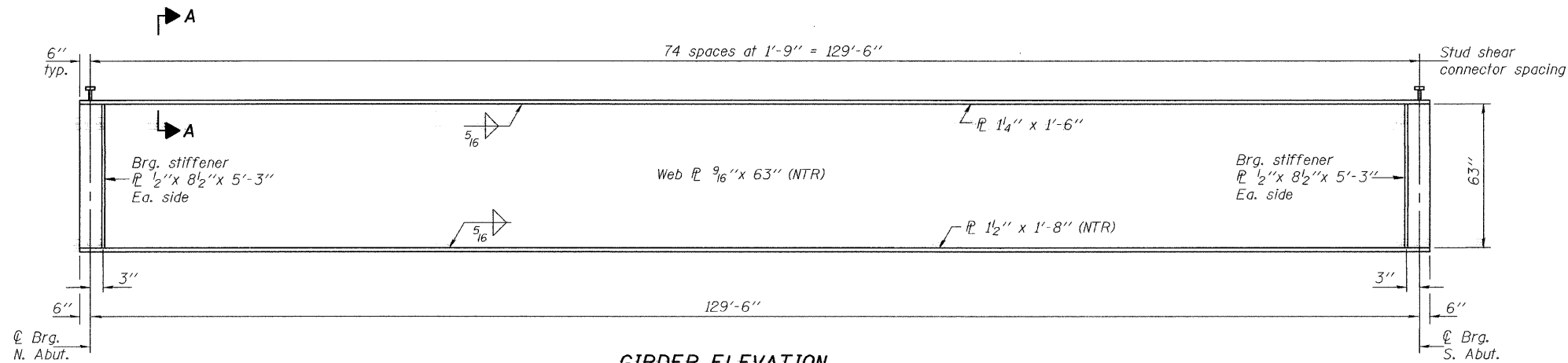


**SECTION A-A**

1"  $\phi$  holes in girder for m2(E) bars. See sheet 10 of 18.

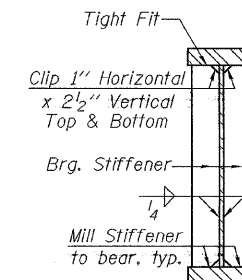


**END OF GIRDER ELEVATION**



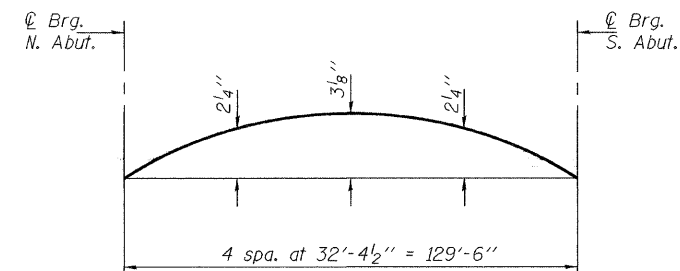
**GIRDER ELEVATION**

All girder structural steel shall be AASHTO M270 Grade 50.



**SECTION AT ABUT.**

Notes: Load carrying components designated "NTR" shall conform to the Supplemental Requirements for Notch Toughness, Zone 2. Two hardened washers shall be required for all oversized holes in diaphragms. Omit connecting plates on exterior side of exterior girder. All cross frames shall be installed as steel is erected and secured with erection pins and bolts except as otherwise noted.



**CAMBER DIAGRAM**

DESIGNED	C.C. Chau
CHECKED	D.H. Coultas
DRAWN	h.t. duong
CHECKED	CCC/DHC

July 21, 2008  
EXAMINED *Thomas J. Damagala*  
PASSED *Ralph E. Anderson*  
ENGINEER OF BRIDGES AND STRUCTURES

**STRUCTURAL STEEL**  
**F.A.P. RTE. 782 - SECTION I14B-2**  
**GALLATIN COUNTY**  
**STATION 803+60.00**  
**STRUCTURE NO. 030-0024**