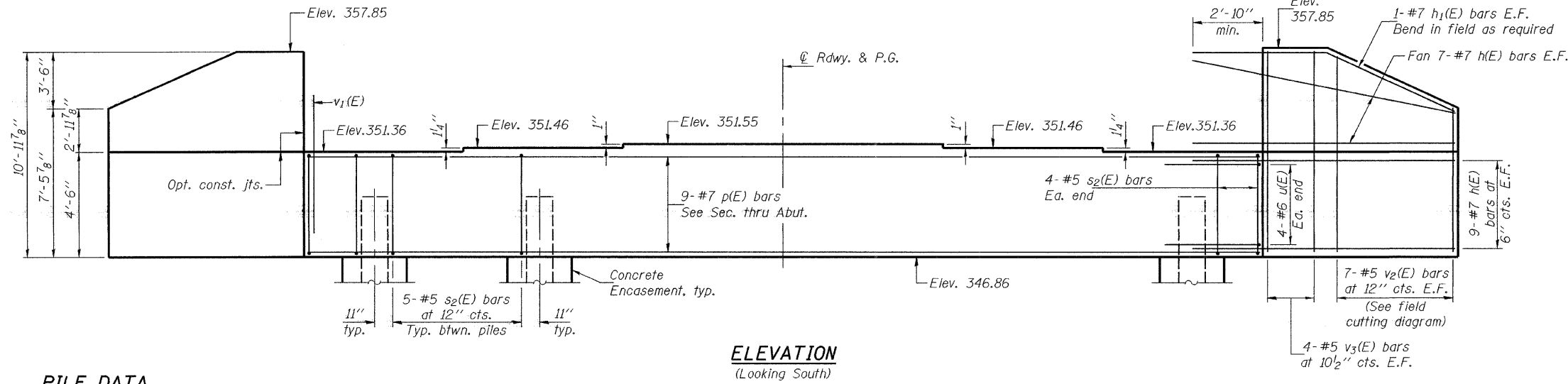


STATE OF ILLINOIS  
DEPARTMENT OF TRANSPORTATION

ROUTE NO.	SECTION	COUNTY	TOTAL SHEETS	SHEET NO.	SHEET NO. 14 18 SHEETS
FAP 782	114B-2	GALLATIN	62	32	
FED. ROAD DIST. NO. 7		ILLINOIS	FED. AID PROJECT		

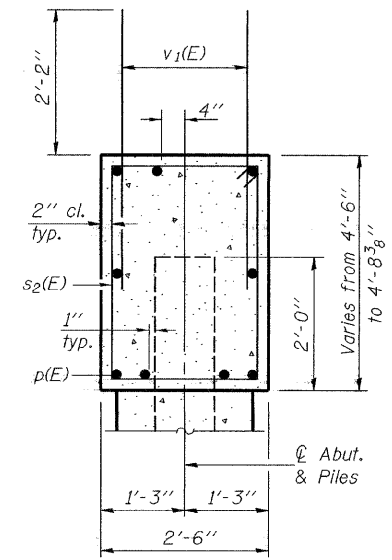
Contract No. 98887



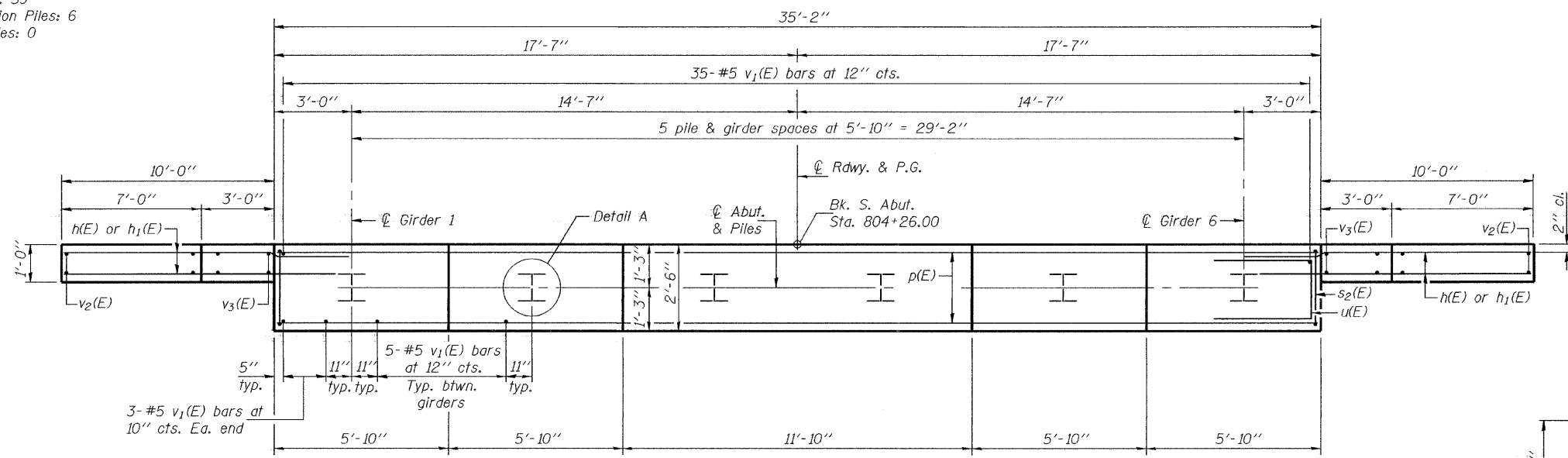
**ELEVATION**  
(Looking South)

**PILE DATA**

Type: Steel HP 12x74  
Nominal Required Bearing: 589 Kips  
Factored Resistance Available: 294 Kips  
Est. Length: 59'  
No. Production Piles: 6  
No. Test Piles: 0



**SEC. THRU ABUT.**

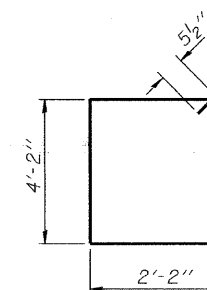


**PLAN**

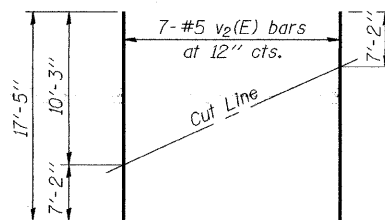
**BILL OF MATERIAL**

Bar	No.	Size	Length	Shape
h(E)	64	#7	12'-10"	—
h1(E)	4	#7	13'-6"	—
p(E)	9	#7	34'-10"	—
s2(E)	31	#5	13'-7"	□
u(E)	8	#6	9'-3"	—
v1(E)	66	#5	4'-4"	—
v2(E)	14	#5	17'-5"	—
v3(E)	16	#5	10'-7"	—
Structure Excavation		Cu. Yd.	120	
Concrete Structures		Cu. Yd.	22.2	
Reinforcement Bars, Epoxy Coated		Pound	3710	
Furnishing Steel Piles HP12x74		Foot	354	
Driving Piles		Foot	354	
Concrete Encasement		Cu. Yd.	2.1	

Notes: Pour steps monolithically with cap.  
For details of piles and concrete encasement, see sheet 16 of 18.  
Bend h(E) bars in field to miss piles and girders.

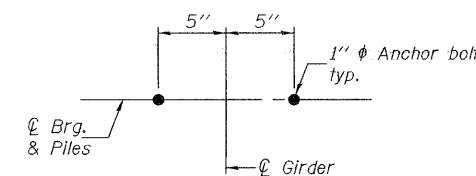


**BAR s2(E)**

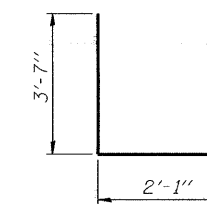


**FIELD CUTTING DIAGRAM**

Order v2(E) full length. Cut as shown and use remainder of bars in opposite face.



**DETAIL A**



**BAR u(E)**

DESIGNED	C.C. Chau
CHECKED	D.H. Coultas
DRAWN	h.t. duong
CHECKED	CCC/DHC

July 21, 2008  
EXAMINED *Thomas J. Domagala*  
PASSED *Ralph E. Anderson*  
ENGINEER OF BRIDGES AND STRUCTURES

**SOUTH ABUTMENT**  
F.A.P. RTE. 782 - SECTION 114B-2  
GALLATIN COUNTY  
STATION 803+60.00  
STRUCTURE NO. 030-0024