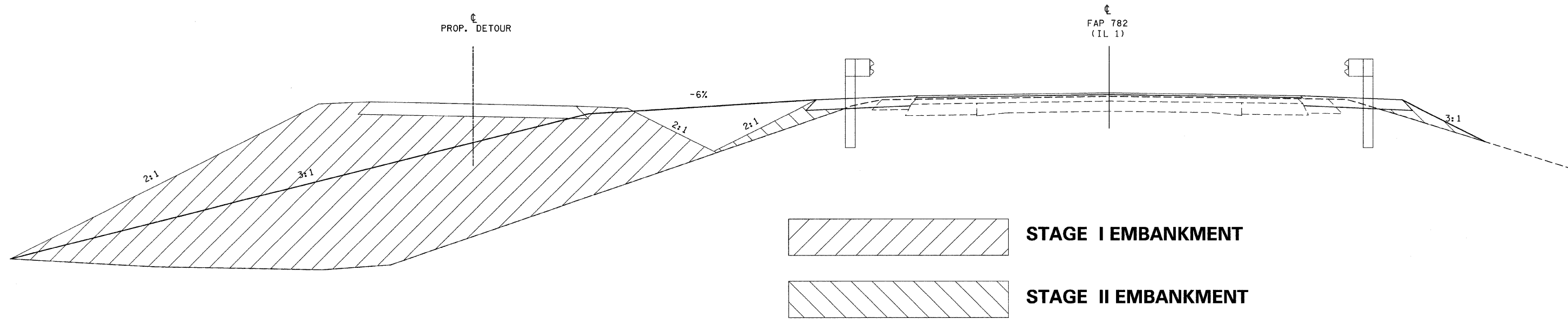
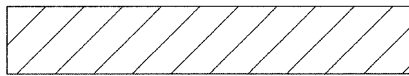
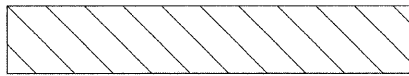
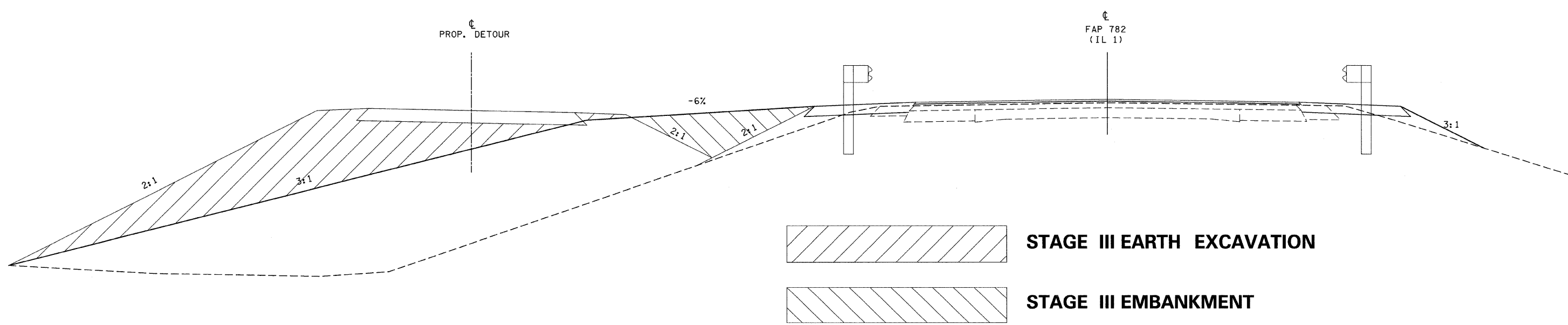



F.A.P. RTE.	SECTION	COUNTY	TOTAL SHEETS	SHEET NO.
782	114B-2	GALLATIN	62	39
STA.		TO STA.		
FED. ROAD DIST. NO.		ILLINOIS	FED. AID PROJECT	

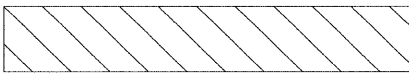


 **STAGE I EMBANKMENT**

 **STAGE II EMBANKMENT**



 **STAGE III EARTH EXCAVATION**

 **STAGE III EMBANKMENT**