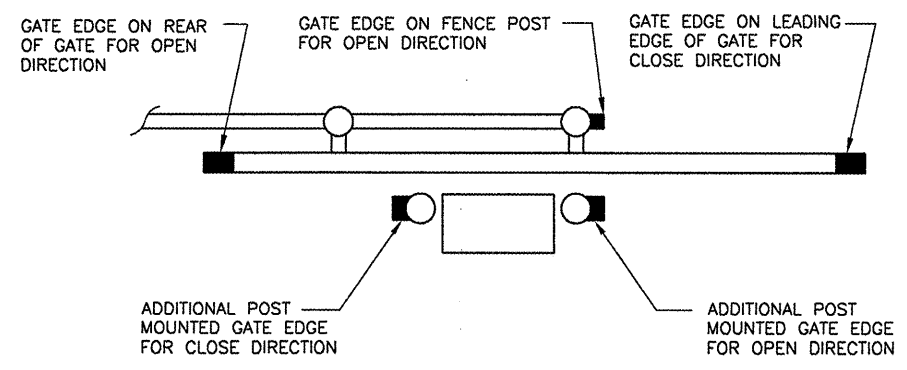


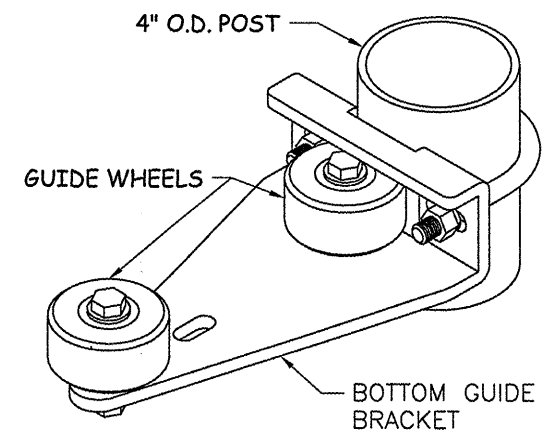
| REVISIONS | | |
|-----------|----|------|
| NUMBER | BY | DATE |
| | | |
| | | |
| | | |

0 1 2
THIS BAR IS EQUAL TO 2"
AT FULL SCALE (34X22).
PLOT 1

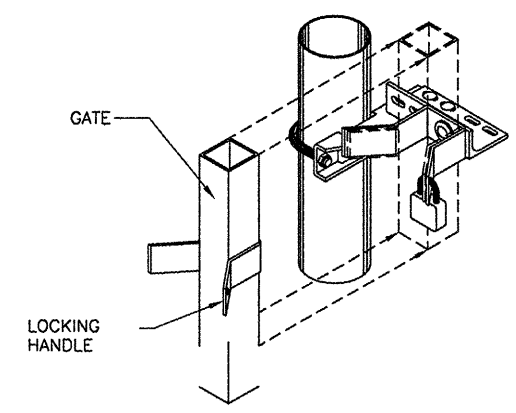


SECONDARY GATE OPERATOR ENTRAPMENT PROTECTION CONTACT SENSORS

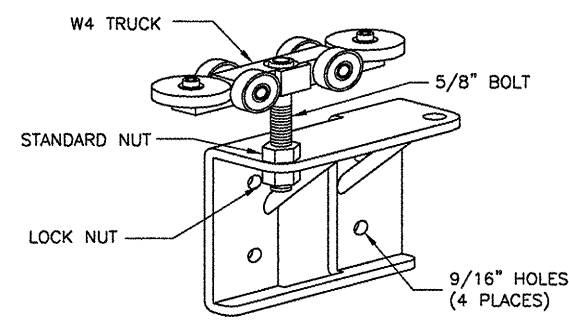
N.T.S.



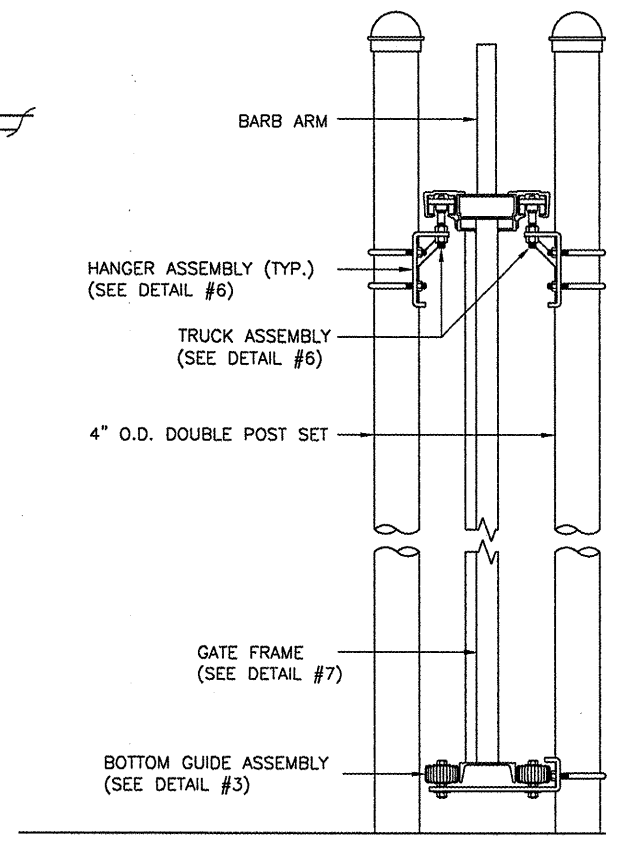
3
5 **BOTTOM GUIDE**
N.T.S.



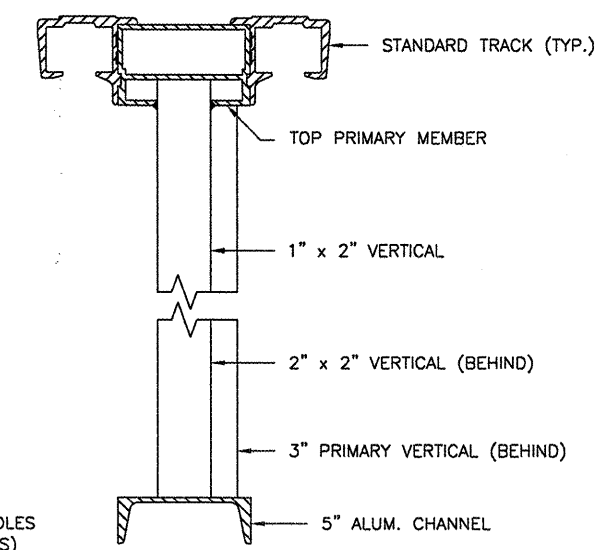
5
5 **CATCH ASSEMBLY**
N.T.S.



6
5 **GATE HANGER ASSEMBLY**
N.T.S.



4
5 **ASSEMBLY SECTION**
N.T.S.



7
5 **GATE FRAME SECTION**
N.T.S.

GREATER Peoria REGIONAL Airport

CONSTRUCT NEW PERIMETER ROAD AND PERIMETER FENCE - PROJECT 2

CMT
CRAWFORD, MURPHY & TILLY, INC.
CONSULTING ENGINEERS
Copyright CMT, Inc.

IL PROJECT: PIA-3811
AIP PROJ: 3-17-0080-45

DESIGN BY: CET
DRAWN BY: CMT
CHECKED BY: CET
APPROVED BY: CET
DATE: 08-21-2008
JOB No: 0706104

CANTILEVER GATE DETAILS
2 OF 2

SHEET 19 OF 21 SHEETS

CANTILEVER SLIDE GATE DETAILS

K:\Peoria\070610400\Draw\Sheets\1\West_South_Fence\Phase 2 Sheets
FILE: CANTILEVER GATE DETAILS 2.dwg
DATE: 8/22/2008 1:05 PM