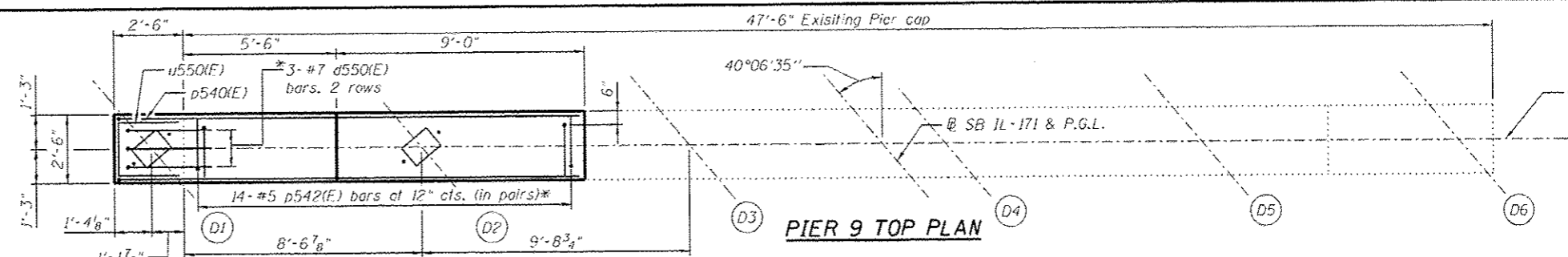
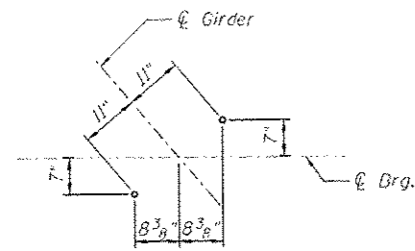
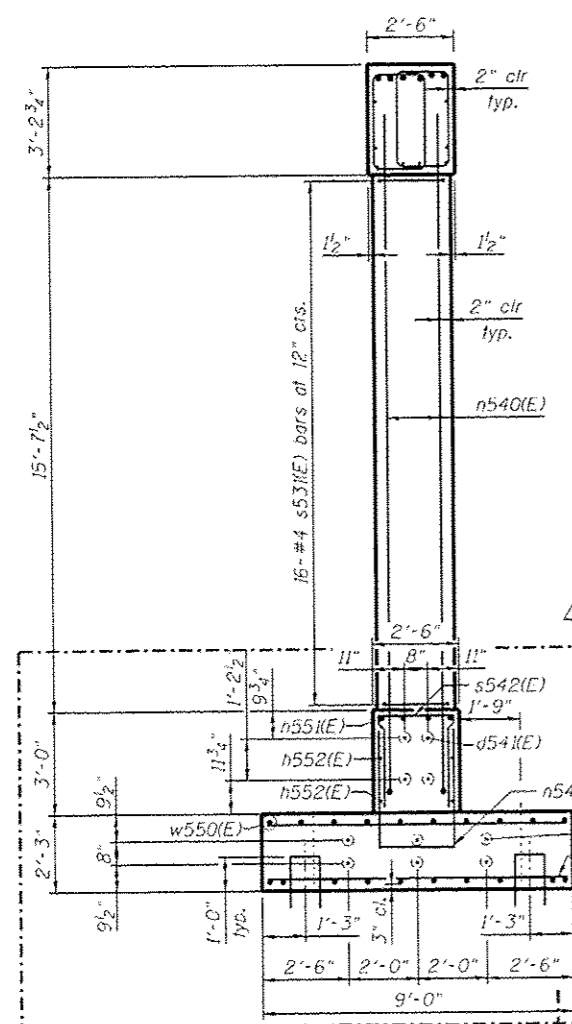


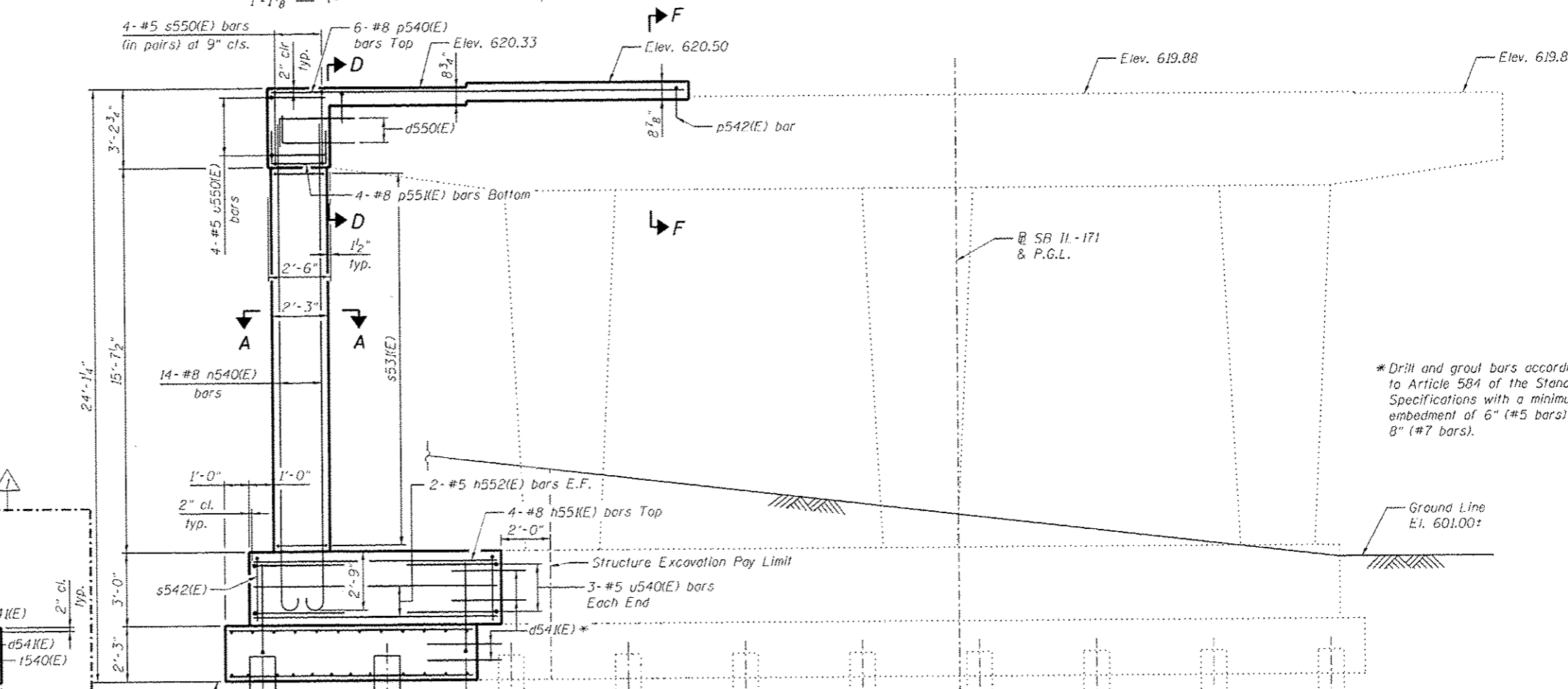
ANCHOR BOLT LAYOUT



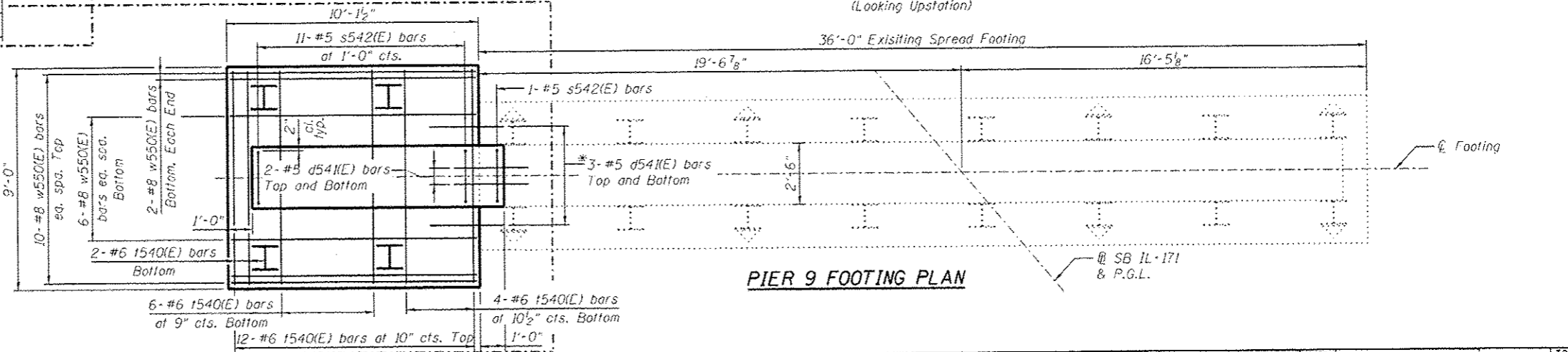
PIER 9 TOP PLAN



END VIEW



PIER 9 ELEVATION
(Looking Upstation)



PIER 9 FOOTING PLAN

PILE DATA
 Type: HP12x53 with Pile Shoes
 Nominal Required Bearing: 314 kips
 Allowable Resistance Available: 105 kips
 Est. Length: 45 ft
 No. Production Piles: 3
 No. Test Piles: 1

- NOTES:**
1. Pour steps monolithically with cap.
 2. See Sheet SG87 for Section A-A, Section D-D, and Section F-F.
 3. See Sheet SG6 for pile layout.
 4. See Sheet SG88 for Bar Bends and Bill of Material.

benesch
 engineers • scientists • planners
 Alfred Benesch & Company
 205 North Michigan Avenue, Suite 2400
 Chicago, Illinois 60601
 312-565-0450 Job No. 10093

FILE NAME: 0168486_CB116_R86_Pier_9_Widening_Details	USER NAME: aborris	DESIGNED: AWH	REVISION: 9/11/2014 AWH
		CHECKED: AJK	REVISION:
		DRAWN: KMS	REVISION:
		CHECKED: AJK	REVISION:

STATE OF ILLINOIS
DEPARTMENT OF TRANSPORTATION

PIER 9 WIDENING DETAILS
STRUCTURE NO. 016-0486
 SHEET NO. SG86 OF SG100 SHEETS

F.A.P. RTEL: 373	SECTION: 2013-0388-R	COUNTY: COOK	TOTAL SHEETS: 821	SHEET NO.: 676
CONTRACT NO. 60J16			ILLINOIS FED. AID PROJECT	

Y:\chicago\100005\10093\Eng_Docs_Phase_1\15N_016_0486_0487_1st_Ave_Over_Canal\1\16-0486-0160486-56J16-086-Pier_9_Widening_Details.dgn
 1:24:24 PM 9/11/2014