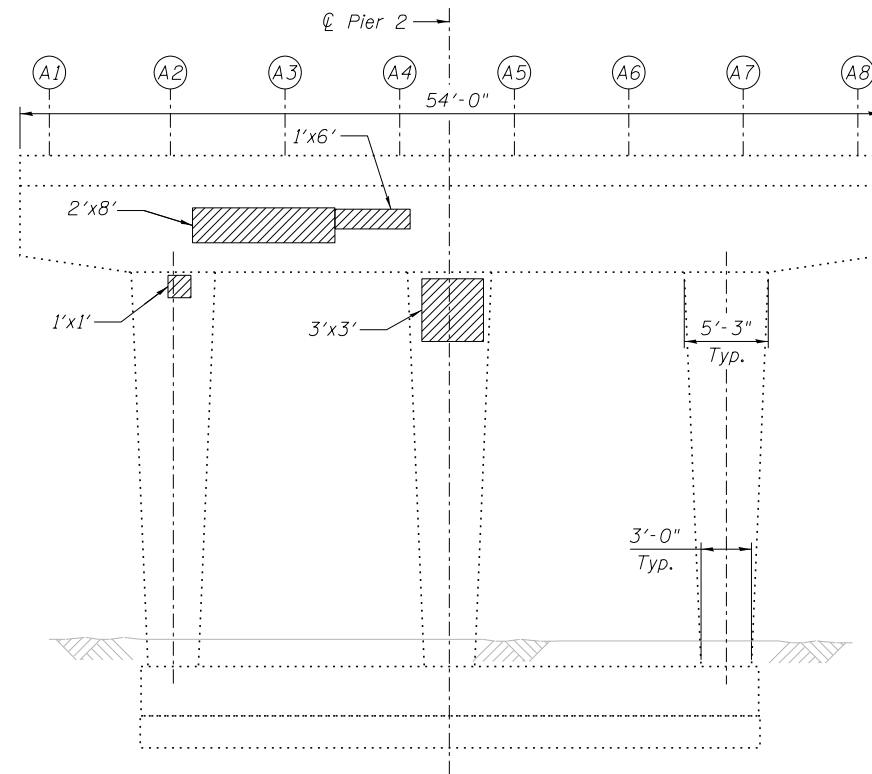
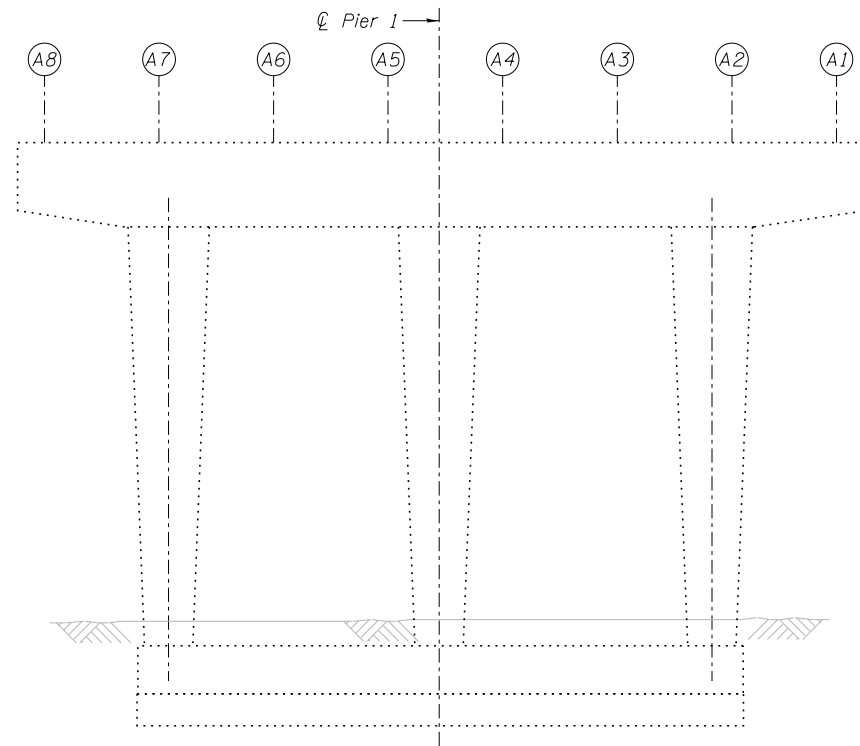


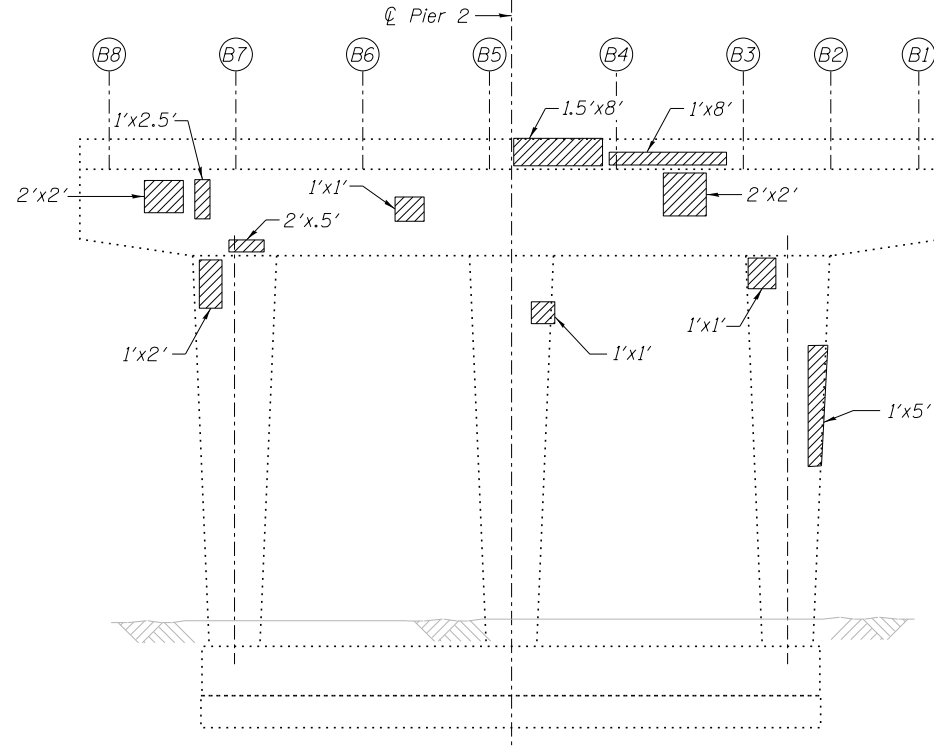
PIER 1
Looking West



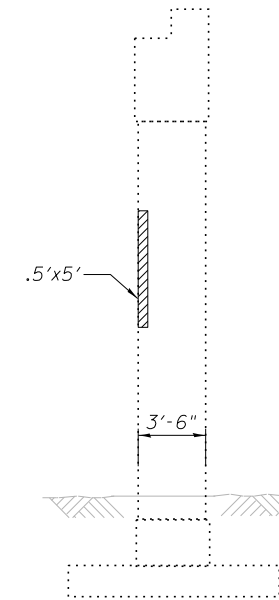
PIER 2
Looking West



PIER 1
Looking East



PIER 2
Looking East



PIER 2
Looking North

BILL OF MATERIAL

ITEM	UNIT	TOTAL
Structural Repair of Concrete (Depth equal to or less than 5 inches)	Sq. Ft.	76

LEGEND

Structural Repair of Concrete
(Depth equal to or less than 5 inches)

NOTES:

1. Actual quantities of repairs shall be approved by the Engineer.



Alfred Benesch & Company
205 North Michigan Avenue, Suite 2400
Chicago, Illinois 60601
312-565-0450 Job No. 10093

FILE NAME =
0160486.60J16.068.pierrepair1-2.dgn

USER NAME = jsurber
PLOT SCALE =
PLOT DATE = 8/6/2014

DESIGNED - FSM
CHECKED - RMM
DRAWN - FSM
CHECKED - RMM

REVISED -
REVISED -
REVISED -
REVISED -

**STATE OF ILLINOIS
DEPARTMENT OF TRANSPORTATION**

**PIERS 1 AND 2 REPAIR DETAILS
STRUCTURE NO. 016-0486**

SHEET NO. SG68 OF SG100 SHEETS

F.A.P. RTE.	SECTION	COUNTY	TOTAL SHEETS	SHEET NO.
373	2013-038B-R	COOK	821	658
CONTRACT NO. 60J16				

ILLINOIS FED. AID PROJECT