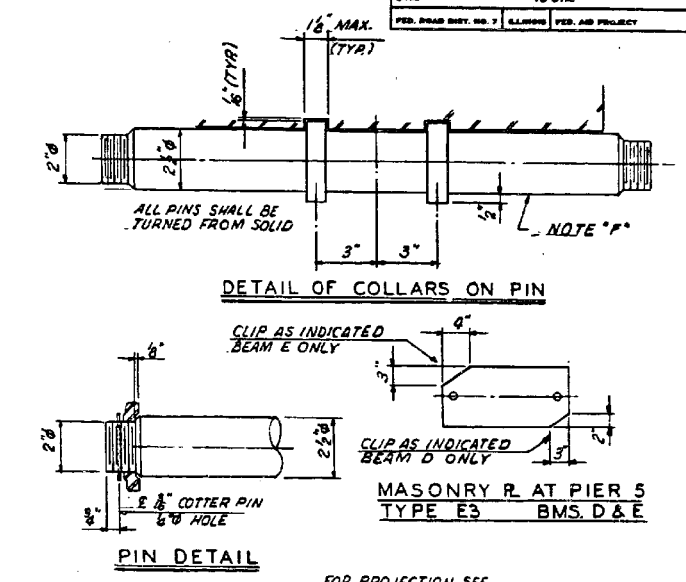
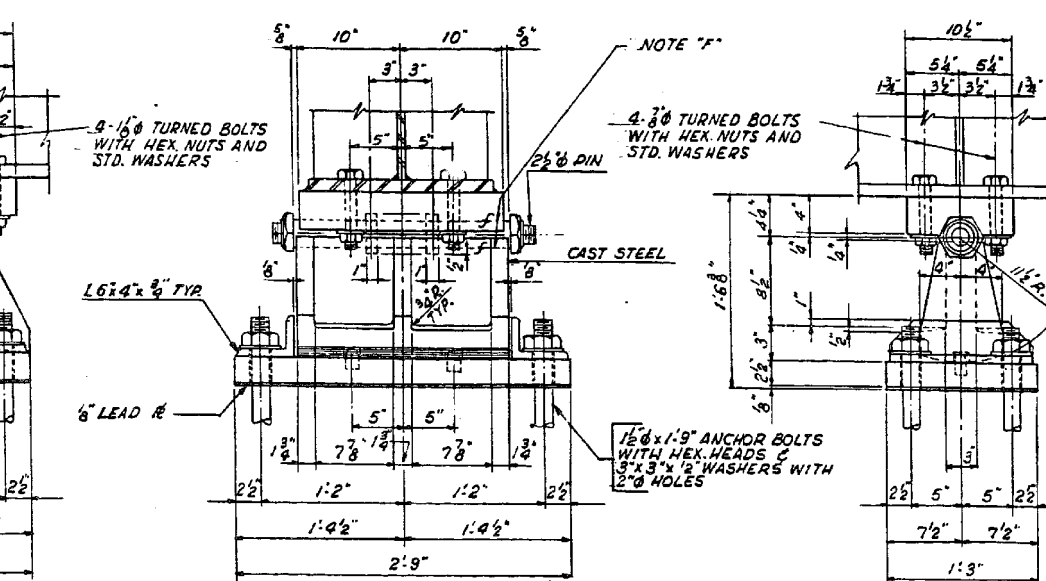
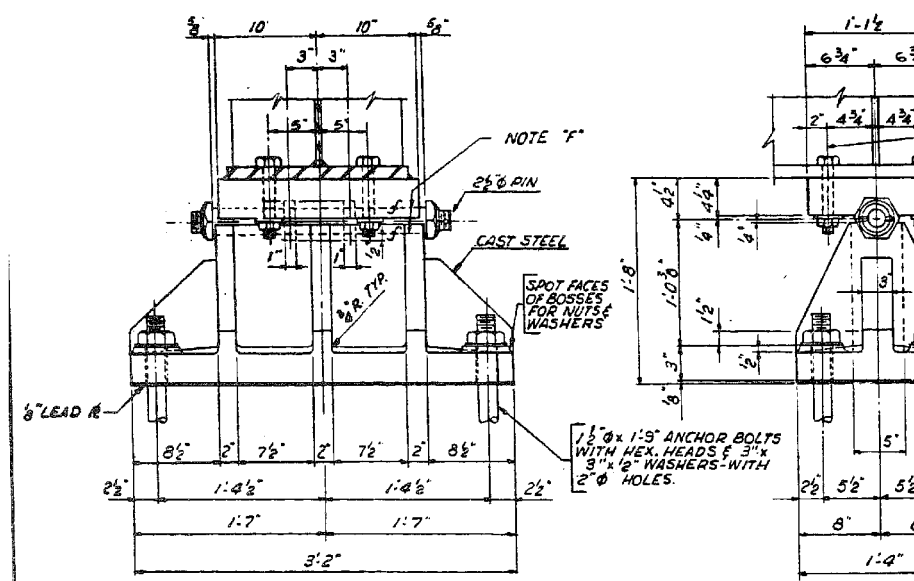


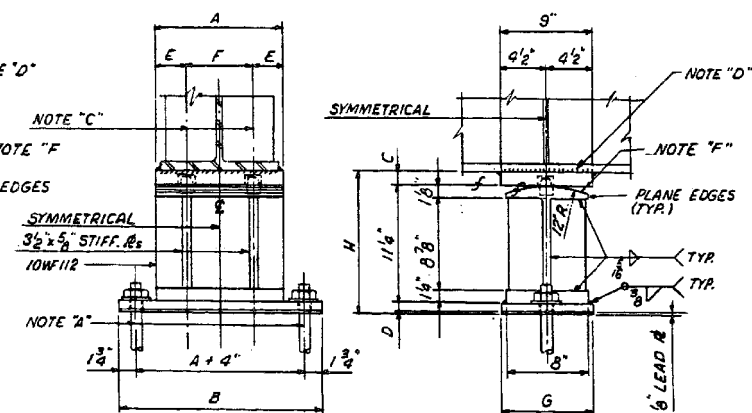
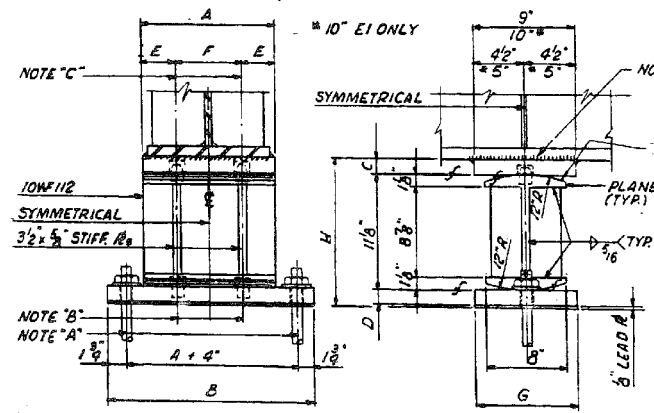
| | | | | |
|-------------------------|--------------------|-------------------------------|-----------------|--------------|
| F.A.P. RT. 133 | SECTION 0707-626 B | SOUTHWEST | TOTAL SHEETS 95 | SHEET NO. 53 |
| STA. 0+00 TO STA. 0+100 | | ILLINOIS DIVISION OF HIGHWAYS | | |



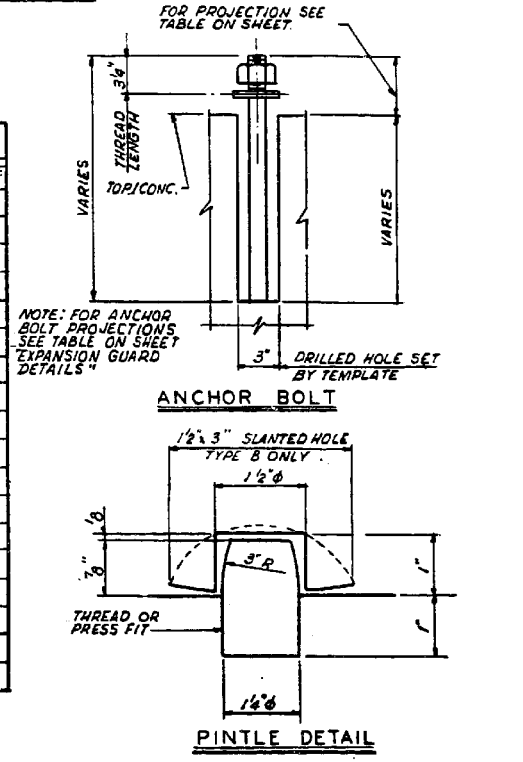
TYPE A - TYPICAL ALL GIRDERS - PIERS 4 & 15
FIXED BEARING
1/3 REQUIRED

TYPE B - TYPICAL ALL GIRDERS - PIERS 3 & 14
EXPANSION BEARING
1/3 REQUIRED

NOTE: ALL CASTINGS SHALL BE ASTM A27-60 GRADE 65-35, FULLY ANNEALED
ALL PINS SHALL BE FORGED & SHALL BE ASTM A235, CLASS "F"
NOTE "F"
COAT WITH ANTI-RUST COMPOUND OR LACQUER.



| LOCATION | A | B | C | D | E | F | G | H | C.F.M. | REQ | WT. | TYPE |
|---------------------------------------------|--------|--------|-------|-------|-------|-------|----|--------|--------|-----|-----|------|
| EAST ABUT. - ALL BEAMS | 12 1/2 | 20 | 1 | 1 1/2 | 3 | 6 1/2 | 9 | 13 1/2 | 2 | 14 | 268 | E2 |
| PIER 1 BEAMS B THRU G | 11 1/2 | 19 | 1 1/2 | 1 | 3 | 5 1/2 | 9 | 13 1/2 | 2 | 6 | 240 | F1 |
| PIERS 1 & 12 - BMS, A & H | 12 1/2 | 20 | 1 1/2 | 1 1/2 | 3 | 6 1/2 | 9 | 13 1/2 | 2 | 8 | 248 | F4 |
| PIERS 2 & 13 ALL BEAMS - EAST | 12 1/2 | 20 | 1 | 1 1/2 | 3 | 6 1/2 | 9 | 13 1/2 | 2 | 14 | 268 | E2 |
| PIERS 2 & 13 ALL BEAMS - WEST | 13 | 20 1/2 | 1 1/2 | 1 1/2 | 3 1/2 | 6 1/2 | 10 | 14 1/2 | 2 | 13 | E1 | E1 |
| PIERS 5 & 16 ALL BEAMS - EAST | 13 | 20 1/2 | 1 1/2 | 1 1/2 | 3 1/2 | 6 1/2 | 10 | 14 1/2 | 2 | 13 | E1 | E1 |
| PIERS 5 & 16 ALL BEAMS - WEST | 17 | 24 1/2 | 1 | 1 1/2 | 3 | 5 1/2 | 9 | 13 1/2 | 2 | 4 | 343 | E4 |
| PIERS 3 & 14 WEST BEAMS H, J, K, N, O, P, Q | 11 1/2 | 19 | 1 | 1 1/2 | 3 | 5 1/2 | 9 | 13 1/2 | 2 | 8 | 250 | E3 |
| PIER 2 - RAMP BEAMS A THRU E | 11 1/2 | 19 | 1 1/2 | 1 1/2 | 3 | 5 1/2 | 9 | 13 1/2 | 2 | 10 | 231 | F5 |
| PIERS 6 & 17 BEAMS F, G, L & M | 16 1/2 | 24 | 1 1/2 | 1 | 2 1/2 | 5 1/2 | 9 | 13 1/2 | 2 | 4 | 344 | F2 |
| PIERS 6 & 17 BEAMS H, I, N, D | 10 1/2 | 18 | 1 | 1 1/2 | 2 1/2 | 5 1/2 | 9 | 13 1/2 | 2 | 4 | 207 | F3 |
| PIERS 6 & 17 BMS, J, K, R, Q | 11 1/2 | 19 | 1 1/2 | 1 1/2 | 3 | 5 1/2 | 9 | 13 1/2 | 2 | 4 | 231 | F5 |
| RAMP ABUTMENT BEAMS A THRU E | 11 1/2 | 19 | 1 | 1 1/2 | 3 | 5 1/2 | 9 | 13 1/2 | 2 | 5 | 250 | E3 |
| PIER 7 - BEAMS F & G | 17 | 24 1/2 | 1 | 1 1/2 | 3 | 5 1/2 | 9 | 13 1/2 | 2 | 2 | 343 | E4 |
| PIER 7 - BEAMS H, I, J & K | 11 1/2 | 19 | 1 | 1 1/2 | 3 | 5 1/2 | 9 | 13 1/2 | 2 | 4 | 250 | E3 |
| PIER 18 - BEAMS L & M | 17 | 24 1/2 | 1 | 1 1/2 | 3 | 5 1/2 | 9 | 13 1/2 | 2 | 2 | 343 | E4 |
| PIER 18 BEAMS N, O, P, Q | 11 1/2 | 19 | 1 | 1 1/2 | 3 | 5 1/2 | 9 | 13 1/2 | 2 | 4 | 250 | E3 |



WEIGHT OF BEARING DEVICES = 88,360 LBS. (SHIMPLATES INCLUDED)

NOTE "A"
1 1/2" HOLES FOR 1 1/2" x 1 1/2" ANCHOR BOLTS & 2 1/2" x 3/8" R WASHER UNDER NUT - TYP FOR BEARINGS E2 THRU E4
1 1/2" HOLES FOR 1 1/2" x 1 1/2" ANCHOR BOLTS & 2 1/2" x 3/8" R WASHER UNDER NUT - TYP FOR BEARING TYPE E1 ONLY.

NOTE "B"
1 1/2" HOLES - 1" DEEP IN ROCKER FOR 1 1/2" PINTLES
1 1/2" PINTLES - 1 1/2" LONG IN BOTT. & THREAD OR PRESS FIT.

NOTE "C"
1 1/2" HOLES IN TOP & FOR 1 1/2" PINTLES. 1 1/2" LES - 1 1/2" LONG IN ROCKER OR BOTT. - THREAD OR PRESS FIT.

NOTE "D"
CONT. FILLET WELD 4 SIDES - SEE TABLE OF DIMENSIONS & LOCATIONS THIS SHEET FOR SIZE.

NOTE "E"
FOR THICKNESS OF REQUIRED SHIMPLATES, SEE "SUMMARY OF BEAMS."

MASONRY R. AT PIERS 7 & 18
TYPE E4 - BMS, F, G, L, M
SET CUT SIDE TO EDGE OF PIER

| REVISIONS | |
|----------------|------|
| NAME | DATE |
| | |
| | |
| DESIGNED ST-PX | |
| REVIEWED CWW | |

ILLINOIS DIVISION OF HIGHWAYS
SOUTHWEST EXPRESSWAY
F.A. RT. 133 OVER CHICAGO SANITARY AND SHIP CANAL SECTION 0707 - 626 B BEARING - DETAILS
SCALE: HORIZ. VERT. DATE: 8-5-89
DRAWN BY: J.M. CHECKED BY: L.D.B.

| | | | |
|------------------------------------------------|-----------------------|----------------|-------------|
| FILE NAME = 0160486.60J16.X17.exist.brgdet.dgn | USER NAME = tjenicke | DESIGNED - FSM | REVISIONS - |
| PLOT SCALE = | PLOT DATE = 6/23/2014 | CHECKED - RMM | REVISIONS - |
| | | DRAWN - FSM | REVISIONS - |
| | | CHECKED - RMM | REVISIONS - |

FOR INFORMATION ONLY

| | | | | |
|--------------------|---------------------|-------------|---------------------------|---------------|
| F.A.P. RT. 373 | SECTION 2013-038B-R | COUNTY COOK | TOTAL SHEETS 821 | SHEET NO. 707 |
| CONTRACT NO. 60J16 | | | ILLINOIS FED. AID PROJECT | |