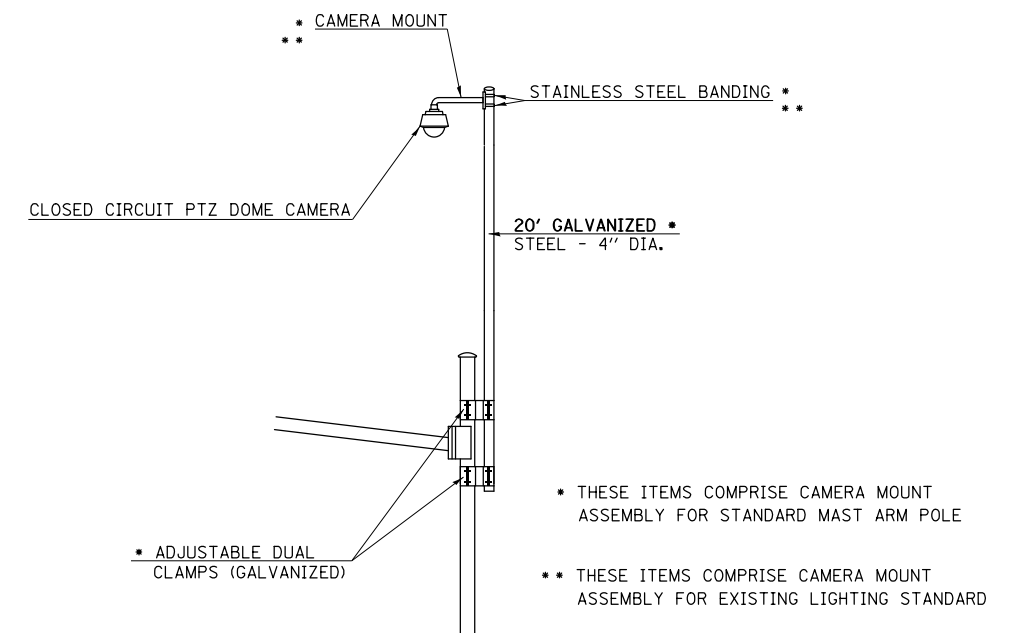
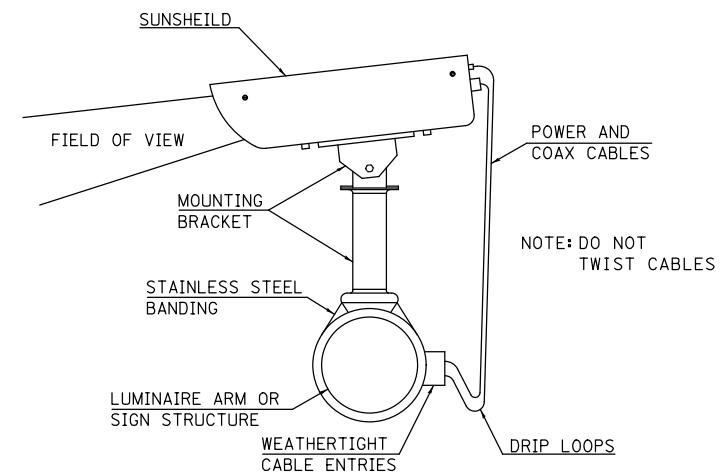


### VIDEO CAMERA MOUNTING DETAIL



### CAMERA MOUNTING ASSEMBLY DETAIL

(FOR STANDARD MAST ARM POLE MOUNT, LIGHTING STANDARD & DMS STRUCTURE)

FILE NAME =	USER NAME = ceerlockjd	DESIGNED -	REVISED -
ci:\pwork\work\pwork\ceerlockjd\0340463\P	Z camera plans.dgn	DRAWN -	REVISED -
*MODELNAME*	PLOT SCALE = 40.0000' / in.	CHECKED -	REVISED -
	PLOT DATE = 6/26/2014	DATE -	REVISED -

STATE OF ILLINOIS  
DEPARTMENT OF TRANSPORTATION

#### CAMERA MOUNT DETAILS

SCALE: SHEET OF SHEETS STA. TO STA.

F.A.P. RTE.	SECTION	COUNTY	TOTAL SHEETS	SHEET NO.
VAR.	FY2014 ITS-1	CHAMPAIGN	71	71
			CONTRACT NO. 70A26	
ILLINOIS FED. AID PROJECT				