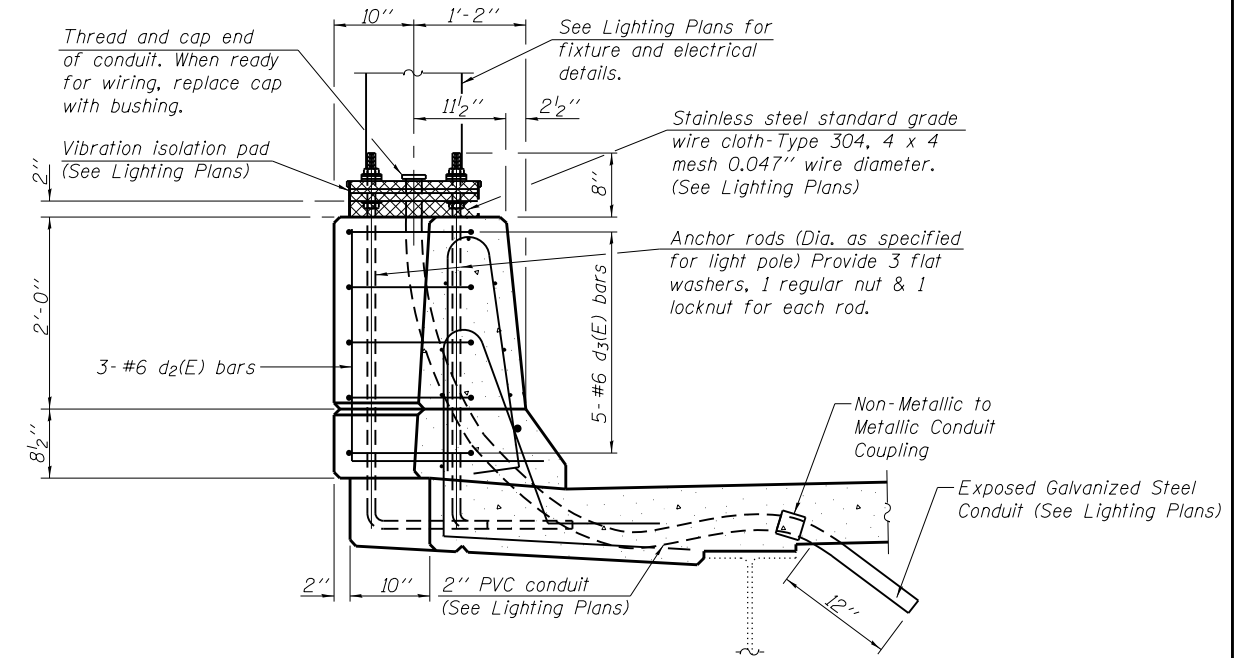
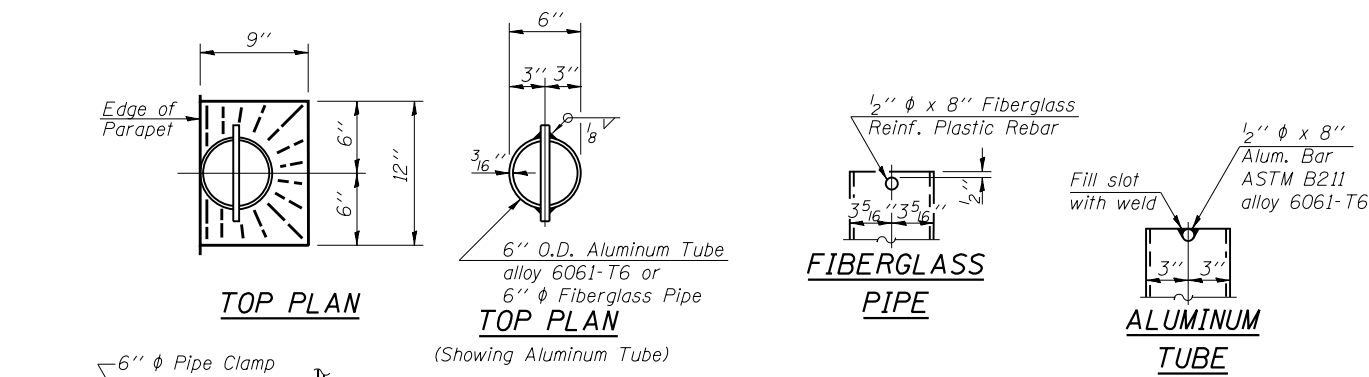


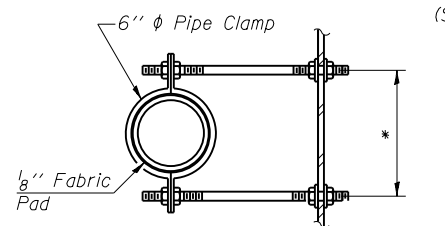
LIGHT PEDESTAL PLAN



SECTION C-C

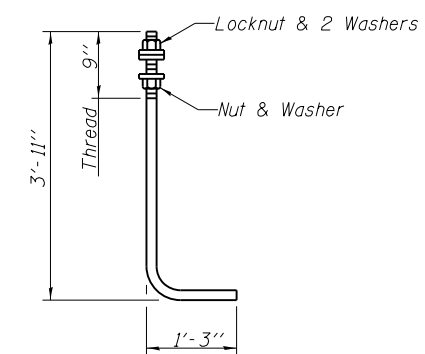


FLOOR DRAIN DETAILS



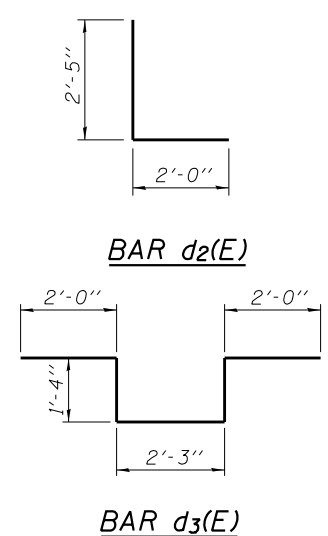
SECTION THRU PIPE CLAMP
*Dimension as required by Pipe Clamp

Notes:
Drains shall be located clear of all diaphragms.
Floor drains need not be painted.
Fiberglass pipe shall conform to ASTM D 2996, with short-time rupture strength hoop tensile stress of 30,000 p.s.i. minimum.
Galvanize clamping device according to AASHTO M232.
Cost of clamping device and galvanizing is included with Floor Drains.



ANCHOR ROD

Diameter as specified for light poles.
(ASTM F 1554 Grade 105) Full length hot dipped galvanized



BAR d3(E)

Notes:
Cost of anchor rods is included with Concrete Superstructure.
See lighting plans for conduit details & quantities.

BLANK, WESSELINK, COOK & ASSOCIATES DECATUR, ILLINOIS ENGINEERS - CONSULTANTS DESIGN FIRM NO. 184000894

FILE NAME =	USER NAME =	DESIGNED <i>PBB</i>	REVISED -
		CHECKED <i>MCB</i>	REVISED -
		DRAWN <i>MLO</i>	REVISED -
		CHECKED <i>PBB/MCB</i>	REVISED -

**STATE OF ILLINOIS
DEPARTMENT OF TRANSPORTATION**

**SUPERSTRUCTURE DETAILS
STRUCTURE NO. 058-0049**

F.A.P. RTE.	SECTION	COUNTY	TOTAL SHEETS	SHEET NO.
710	(48X-B-2)BR & (48BR)BR	MACON	144	49
CONTRACT NO. 74438				

SHEET NO. 11 OF 39 SHEETS

ILLINOIS FED. AID PROJECT