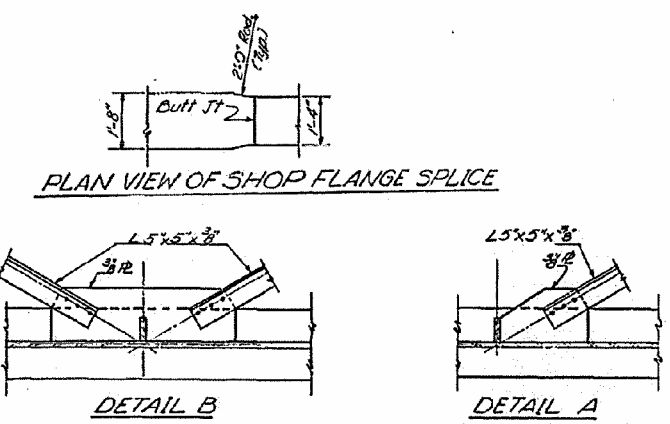
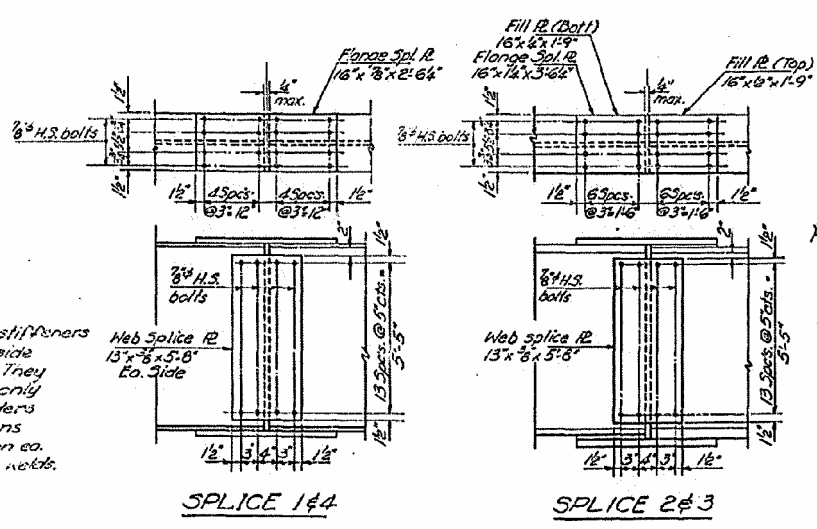
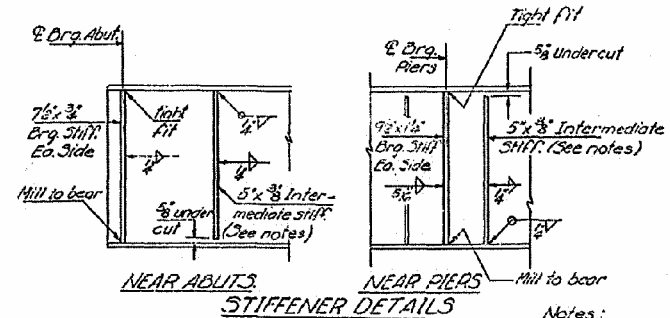
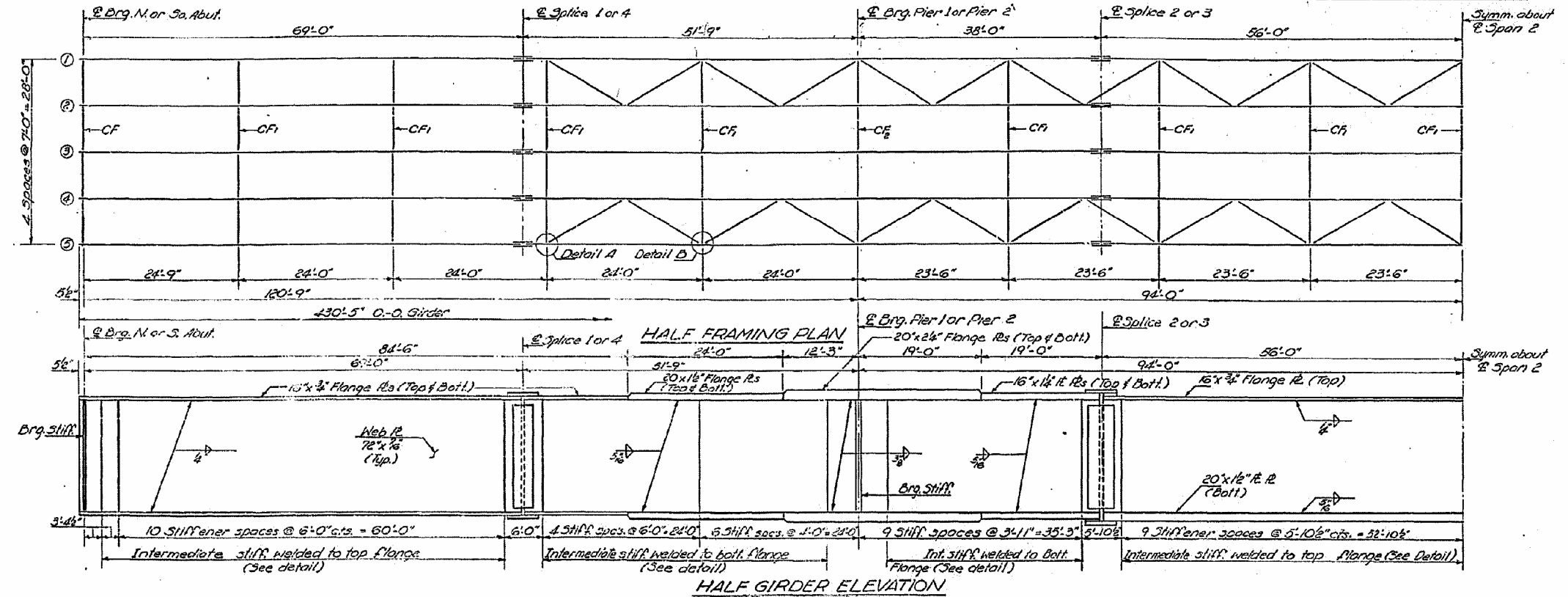


PROJECT NO.	SECTION	COUNTY	TOTAL SHEETS	SHEET NO.
2	48BR	MACON	26	18
SHEET NO. 3				
15 SHEETS				



DESIGNED	Dec. 30 1970
CHECKED	
DRAWN	A. Corrozo 046
CHECKED	GR

Notes:
No intermediate stiffeners are to be placed on the outside face of the fascia girders. They shall be placed on one side only on the remainder of the girders except at cross frame locations where they shall be placed on ea. side. Clip stiff. 5x5 to clear welds.

STRUCTURAL STEEL DETAILS
F.A. RTE. 2 SEC. 48 BR
MACON COUNTY
STA. 655+79.1A

FILE NAME =	USER NAME =	DESIGNED PBB	REVISED -
		CHECKED	REVISED -
	PLOT SCALE =	DRAWN MLO	REVISED -
	PLOT DATE =	CHECKED	REVISED -

F.A.P. RTE.	SECTION	COUNTY	TOTAL SHEETS	SHEET NO.
710	(48X-B-2)BR & (48BR)BR	MACON	144	67
CONTRACT NO. 74438				