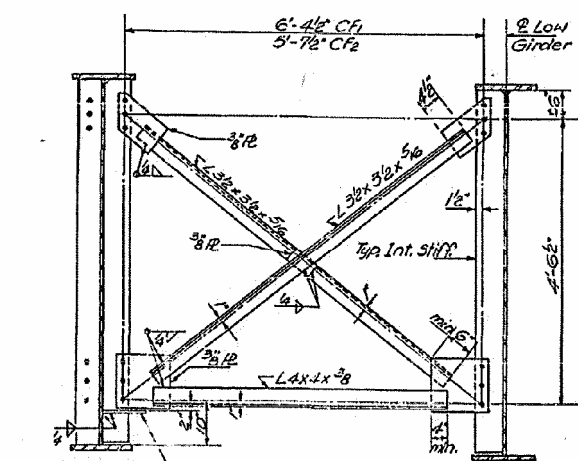
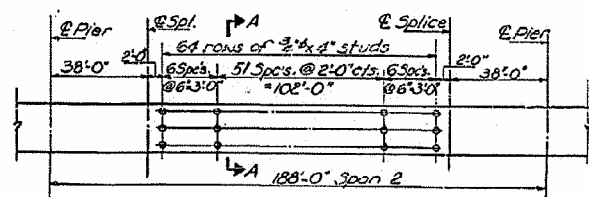


CROSS FRAME-CF
(8-REQUIRED)

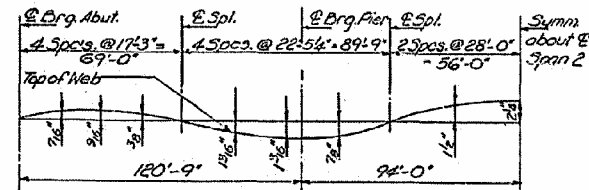


CROSS FRAME-CF1 & CF2
(60-REQUIRED CF1)
(8-REQUIRED CF2)

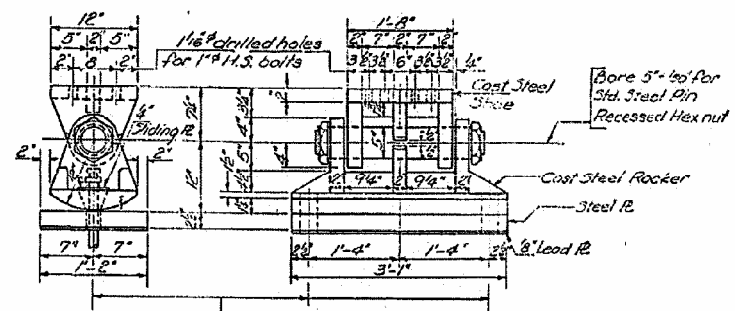


GIRDER PLAN
(Showing Shear Conn.)
2x4x4 CR1020
Steel Granular or
solid flux filled
headed studs
automatically
end welded.

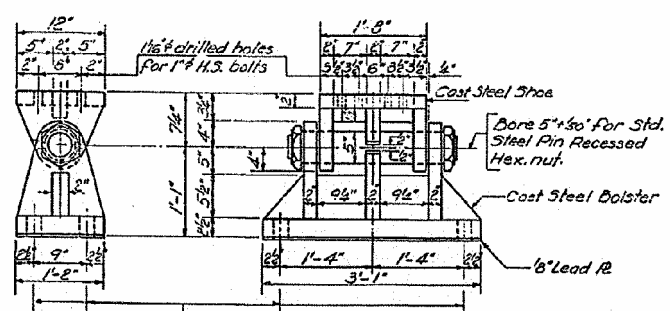
SEC. A-A



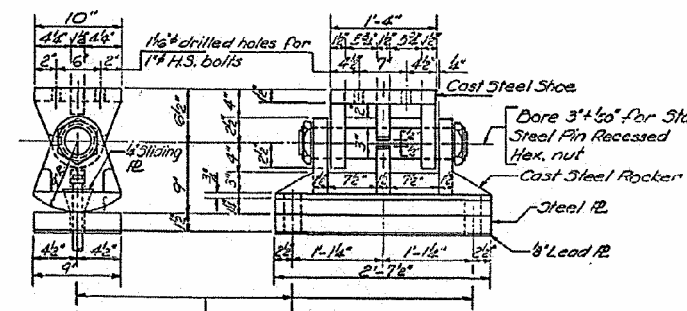
CAMBER DIAGRAM



DETAIL OF BEARINGS AT PIER 1 (EXP)



DETAIL OF BEARINGS AT PIER 2 (FIX)



DETAIL OF BEARINGS AT ABUTS (EXP)

DESIGNED	<i>W. J. Hill</i>	EXAMINED	<i>W. J. Hill</i>
CHECKED	<i>W. J. Hill</i>	PASSED	<i>W. J. Hill</i>
DRAWN	<i>A. Borroza</i>	APPROVED	<i>Richard J. Spill</i>
CHECKED	<i>GR</i>		

Dec 30 1970

STRUCTURAL STEEL DETAILS
FA. RTE. 2 SEC. 48BR
MACON COUNTY
STA. 655+79.1 W