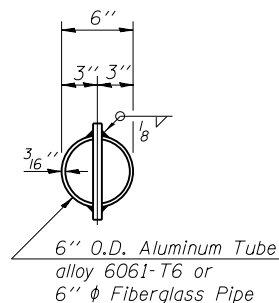
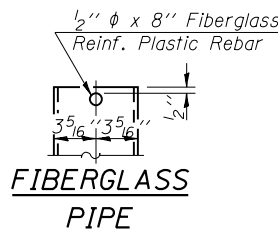


TOP PLAN

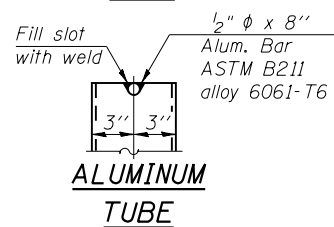


TOP PLAN

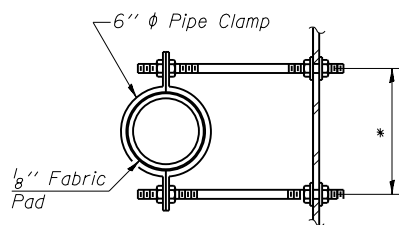
(Showing Aluminum Tube)



FIBERGLASS PIPE



ALUMINUM TUBE



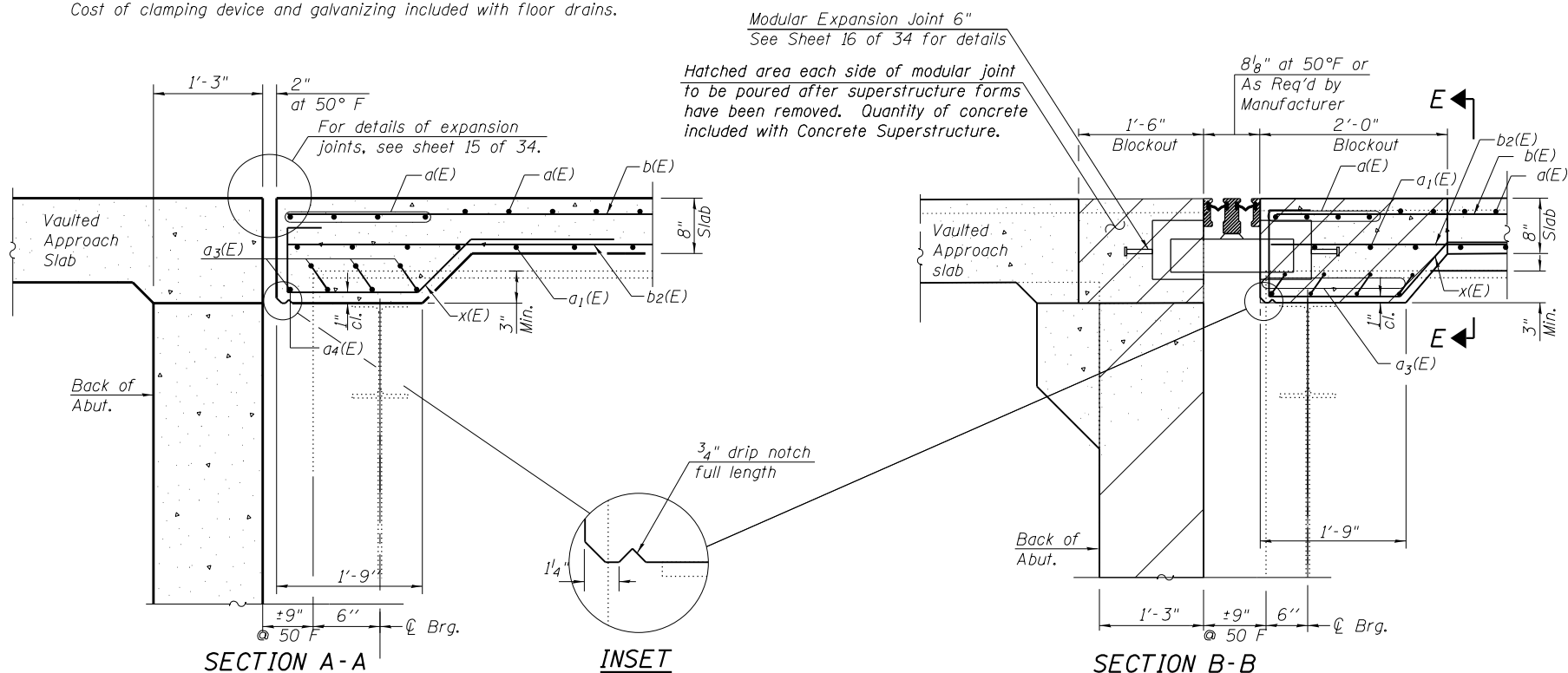
SECTION THRU PIPE CLAMP

*Dimension as required by Pipe Clamp

FLOOR DRAIN DETAILS

Notes:

- Drains shall be located clear of all cross frames.
- Floor drains need not be painted.
- Fiberglass pipe shall conform to ASTM D 2996, with short-time rupture strength hoop tensile stress of 30,000 p.s.i. minimum.
- Galvanize clamping device according to AASHTO M232.
- Cost of clamping device and galvanizing included with floor drains.

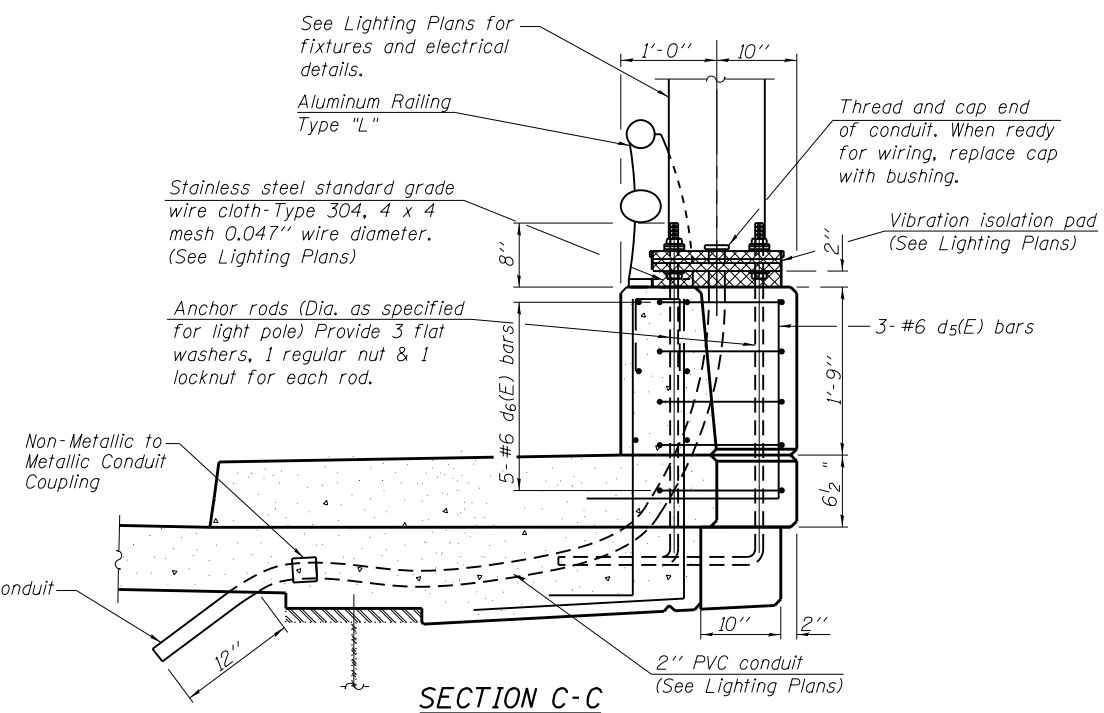


SECTION A-A

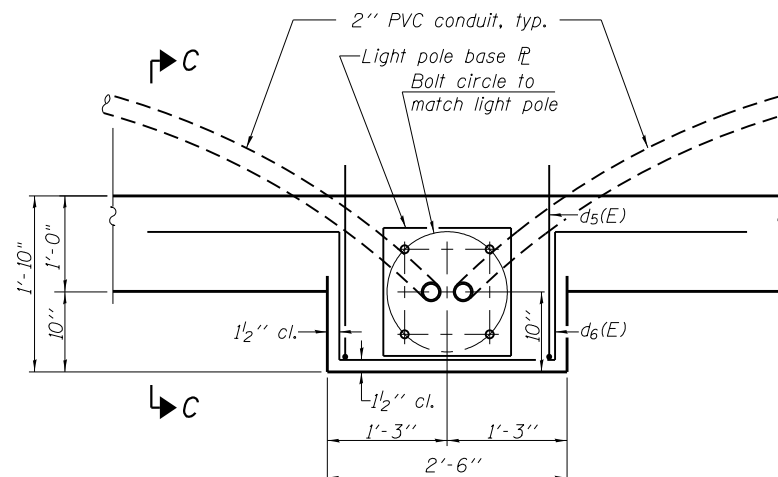
INSET

SECTION B-B

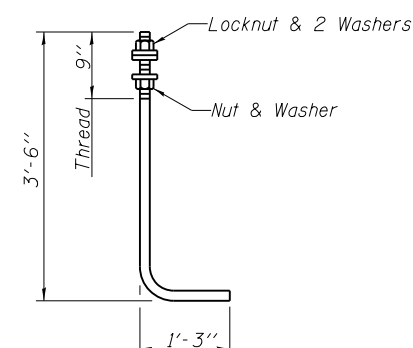
Note: See Sheet 16 of 34 for Section E-E.



SECTION C-C

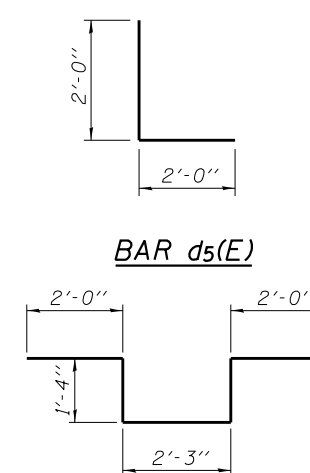


LIGHT PEDESTAL PLAN



ANCHOR ROD

Diameter as specified for light poles. (ASTM F 1554 Grade 105) Full length hot dipped galvanized



BAR d5(E)

BAR d6(E)

Note: Cost of anchor rods is included with Concrete Superstructure. See lighting plans for conduit details & quantities.

BLANK, WESSELINK, COOK & ASSOCIATES DECATUR, ILLINOIS ENGINEERS - CONSULTANTS DESIGN FIRM NO. 184000894

FILE NAME =	USER NAME =	DESIGNED <i>PBB</i>	REVISD -
		CHECKED <i>MCB</i>	REVISD -
	PLOT SCALE =	DRAWN <i>MLO</i>	REVISD -
	PLOT DATE =	CHECKED <i>PBB/MCB</i>	REVISD -

**STATE OF ILLINOIS
DEPARTMENT OF TRANSPORTATION**

**SUPERSTRUCTURE DETAILS
STRUCTURE NO. 058-0010**

SHEET NO. 9 OF 34 SHEETS

F.A.P. RTE.	SECTION	COUNTY	TOTAL SHEETS	SHEET NO.
710	(48X-B-2)BR & (48BR)BR	MACON	144	86
CONTRACT NO. 74438				

ILLINOIS FED. AID PROJECT