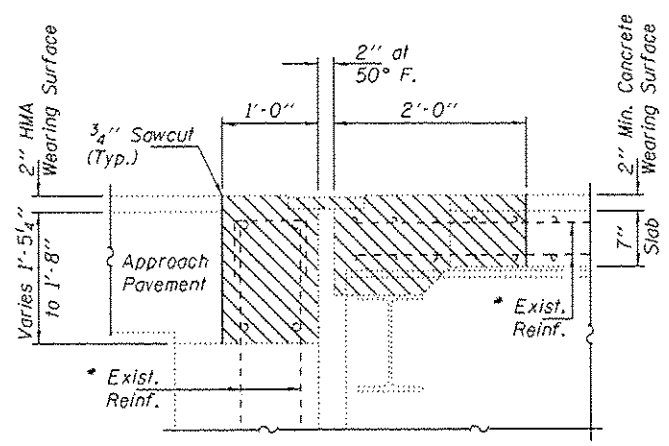


REMOVAL PLAN (SN 060-0025 E.B.)

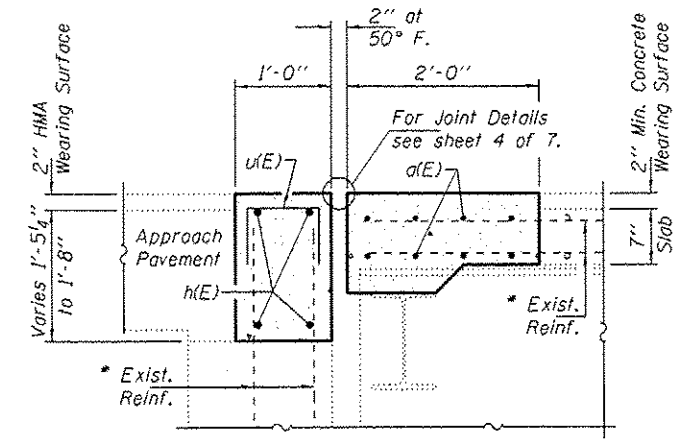
West Abutment shown, East Abutment similar by rotation.

REPLACEMENT PLAN (SN 060-0025 E.B.)

West Abutment shown, East Abutment similar by rotation.



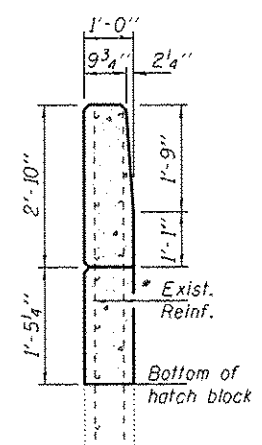
SECTION A-A



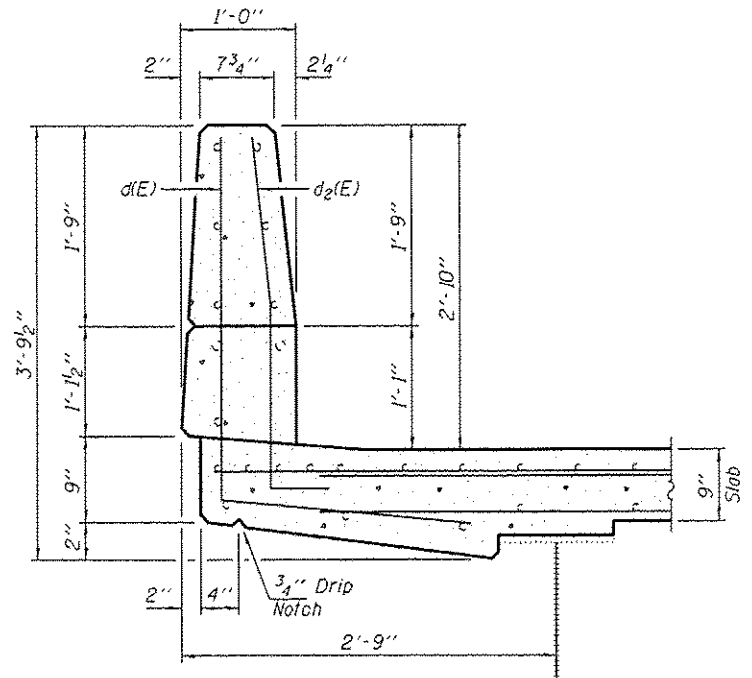
SECTION B-B

* Existing reinforcement bars extending into the removal area shall be cleaned, straightened and incorporated into the new construction. Any reinforcement bars that are damaged during concrete removal shall be replaced with an approved bar splicer or anchorage system. Cost included with Concrete Removal.

Notes:
Hatched areas indicate Concrete Removal.
For Section D-D & Detail A see sheet 3 of 7.



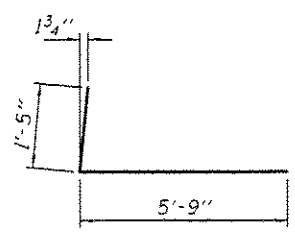
TYPICAL SECTION AT APPROACH PARAPET



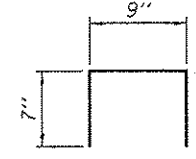
SECTION C-C

BILL OF MATERIAL

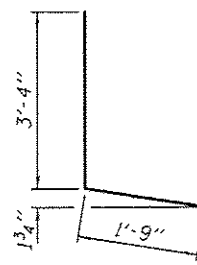
Bar	No.	Size	Length	Shape
d(E)	32	#5	18'-3"	—
a1(E)	16	#6	4'-0"	—
d(E)	8	#5	5'-1"	L
d2(E)	8	#5	4'-4"	L
h(E)	16	#6	18'-3"	—
h1(E)	20	#5	7'-2"	L
u(E)	72	#5	1'-11"	□
v(E)	24	#5	4'-10"	—
v1(E)	16	#5	3'-10"	—
Concrete Removal			Cu. Yd.	10.1
Concrete Superstructure			Cu. Yd.	10.1
Bar Splicers			Each	24
Reinforcement Bars, Epoxy Coated			Pound	1370



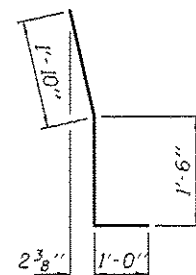
BAR h1(E)



BAR u(E)



BAR d(E)



BAR d2(E)

DESIGNED - GGE
 CHECKED - TLC
 DRAWN - Kyle M. Steffan
 CHECKED - GGE TLC

EXAMINED - *Timothy A. Dault*
 ACTING ENGINEER OF STRUCTURAL SERVICES

PASSED - *Carl Perry*
 ACTING ENGINEER OF BRIDGES AND STRUCTURES

DATE - AUGUST 18, 2014

**STATE OF ILLINOIS
 DEPARTMENT OF TRANSPORTATION**

**EXPANSION JOINT REMOVAL & REPLACEMENT DETAILS
 SN 060-0025 (EB)**

SHEET NO. 2 OF 7 SHEETS

F.A.I. SECTION COUNTY TOTAL SHEETS SHEET NO.
 RTE. 70 60-111,12/RS-3 MADISON 242 179

CONTRACT NO. 76F13

ILLINOIS FED. AID PROJECT