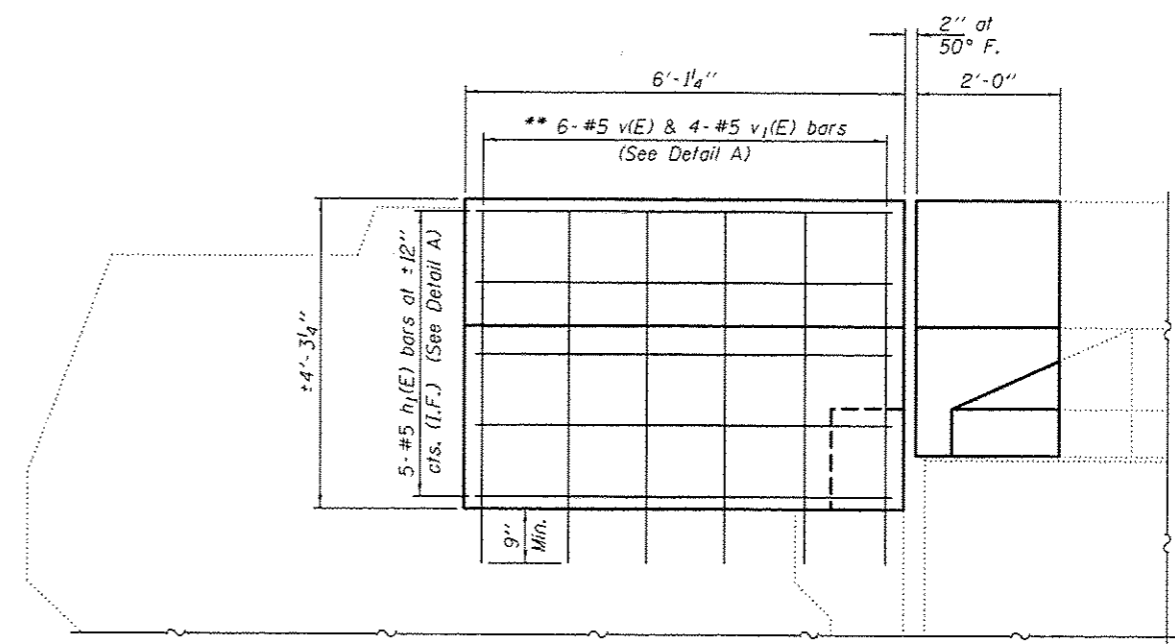


REMOVAL PLAN (SN 060-0026 W.B.)

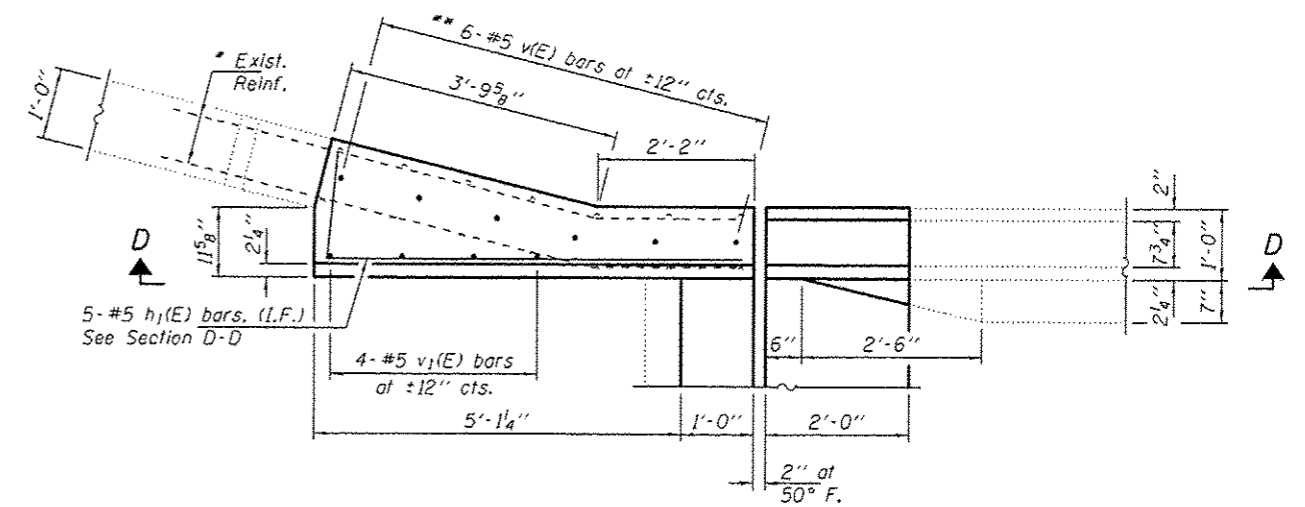
West Abutment shown, East Abutment similar by rotation.

REPLACEMENT PLAN (SN 060-0026 W.B.)

West Abutment shown, East Abutment similar by rotation.



SECTION D-D
Parapet, Deck & Hatchblock reinforcement not shown for clarity.



DETAIL A
Parapet, Deck & Hatchblock reinforcement not shown for clarity.

Notes:
Hatched areas indicate Concrete Removal.
For Sections A-A, B-B, C-C and Reinforcement Bar Details see sheet 2 of 7.

* Existing reinforcement bars extending into the removal area shall be cleaned, straightened and incorporated into the new construction. Any reinforcement bars that are damaged during concrete removal shall be replaced with an approved bar splicer or anchorage system. Cost included with Concrete Removal.
** Epoxy grout v(E) bars in 9" min. holes according to Article 584 of the Standard Specifications.

BILL OF MATERIAL

Bar	No.	Size	Length	Shape
a(E)	32	#5	18'-3"	—
a1(E)	16	#6	4'-0"	—
d(E)	8	#5	5'-1"	L
d2(E)	8	#5	4'-4"	L
h(E)	16	#6	18'-3"	—
h1(E)	20	#5	7'-2"	L
u(E)	72	#5	1'-11"	□
v(E)	24	#5	4'-10"	—
v1(E)	16	#5	3'-10"	—
Concrete Removal		Cu. Yd.	10.1	
Concrete Superstructure		Cu. Yd.	10.1	
Bar Splicers		Each	24	
Reinforcement Bars, Epoxy Coated		Pound	1370	

DESIGNED - GGE	EXAMINED - <i>Timothy A. A. [Signature]</i>	DATE - AUGUST 18, 2014
CHECKED - TLC	ACTING ENGINEER OF STRUCTURAL SERVICES	
DRAWN - Kyle M. Staffan	PASSED - <i>[Signature]</i>	
CHECKED - GGE	ACTING ENGINEER OF BRIDGES AND STRUCTURES	

STATE OF ILLINOIS
DEPARTMENT OF TRANSPORTATION

EXPANSION JOINT REMOVAL & REPLACEMENT DETAILS
SN 060-0026 (WB)

F.A.J. RTE.	SECTION	COUNTY	TOTAL SHEETS	SHEET NO.
70	60-111.121RS-3	MADISON	242	180
			CONTRACT NO. 76F13	
ILLINOIS FED. AID PROJECT				