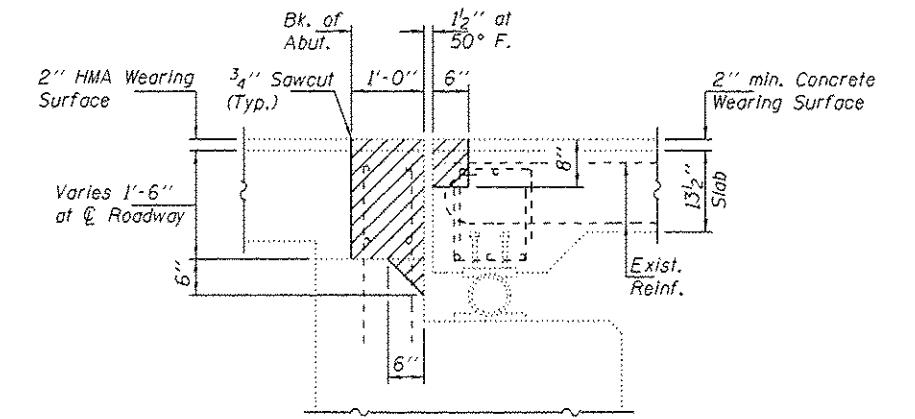


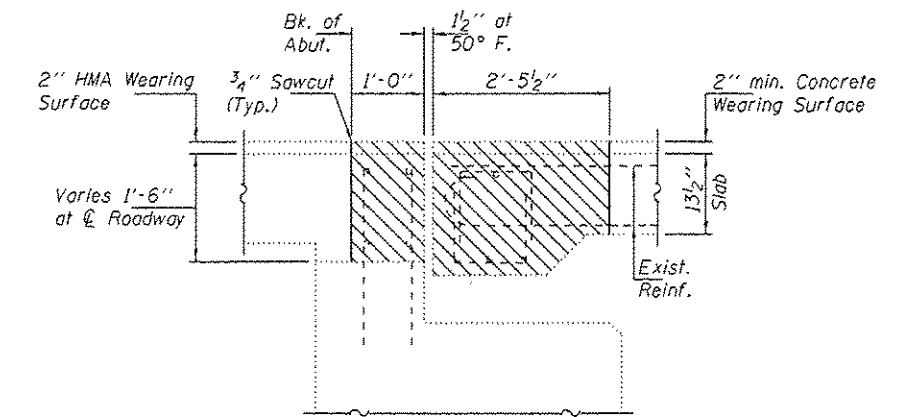
EXISTING CROSS SECTION

(Looking West at Northwest Abutment)
(Looking East at Southeast Abutment)

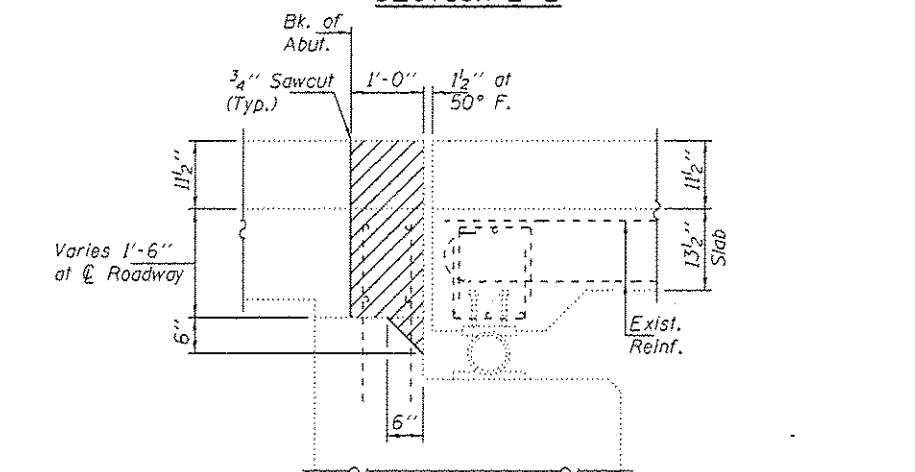
* Dimension at Rt. L to local tangent.



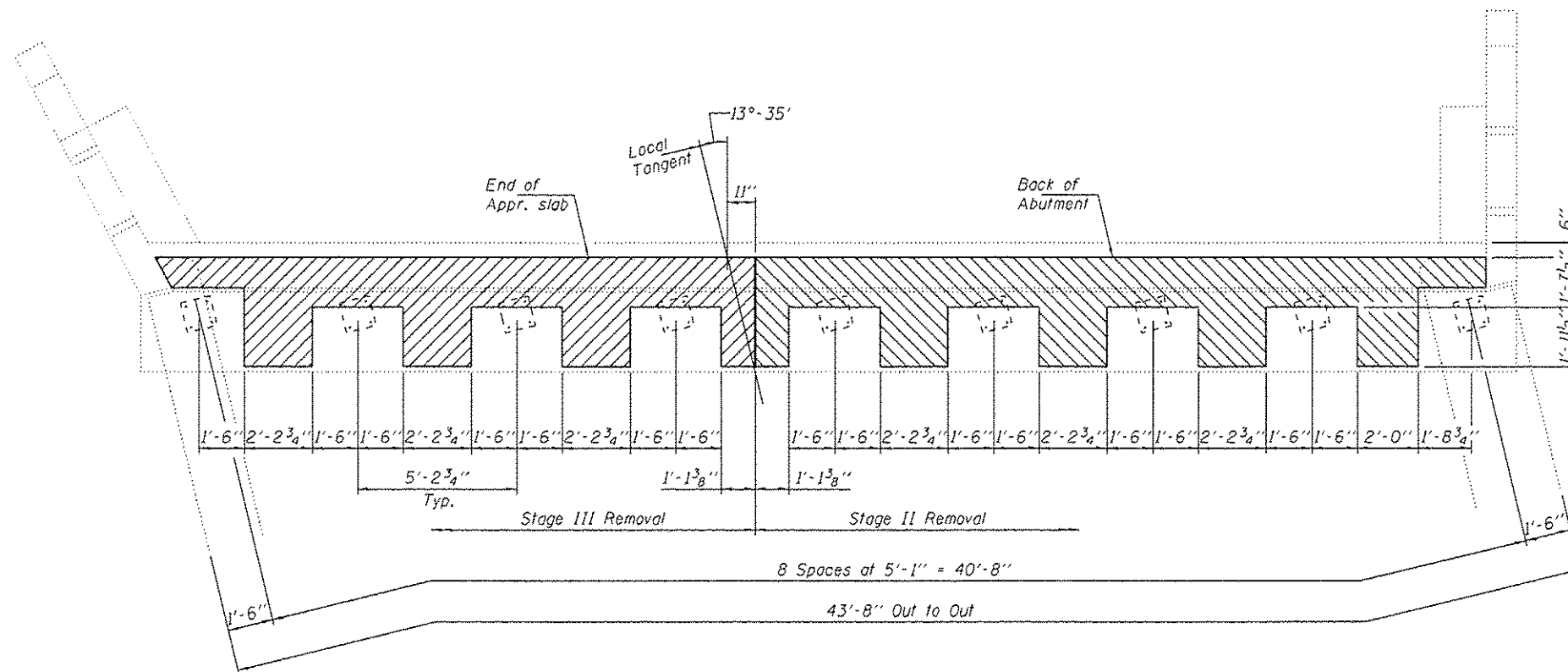
SECTION A-A



SECTION B-B



SECTION C-C



EXISTING PLAN

BILL OF MATERIAL

Item	Unit	Quantity
Concrete Removal	Cu. Yd.	10.5

DESIGNED - GGE
CHECKED - SMR
DRAWN - Kyle M. Staffon
CHECKED - GGE SMR

EXAMINED *Timothy A. Ault*
ACTING ENGINEER OF STRUCTURAL SERVICES
PASSED *Carl Perry*
ACTING ENGINEER OF BRIDGES AND STRUCTURES

DATE - AUGUST 18, 2014

STATE OF ILLINOIS
DEPARTMENT OF TRANSPORTATION

REMOVAL DETAILS AT NORTHWEST & SOUTHEAST ABUTMENTS
SN 060-0029 (EB) & 0030 (WB)

SHEET NO. 2 OF 8 SHEETS

F.A.I. RTE.	SECTION	COUNTY	TOTAL SHEETS	SHEET NO.
70	60-11.12RS-3	MADISON	242	189
CONTRACT NO. 76F13				
ILLINOIS FED. AID PROJECT				