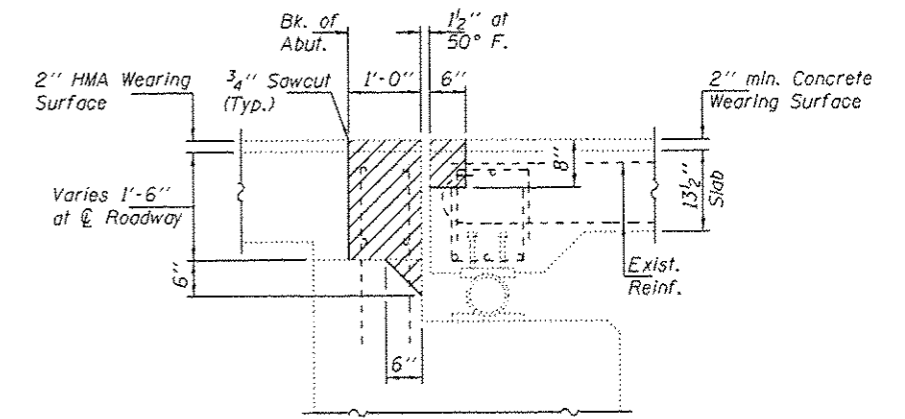
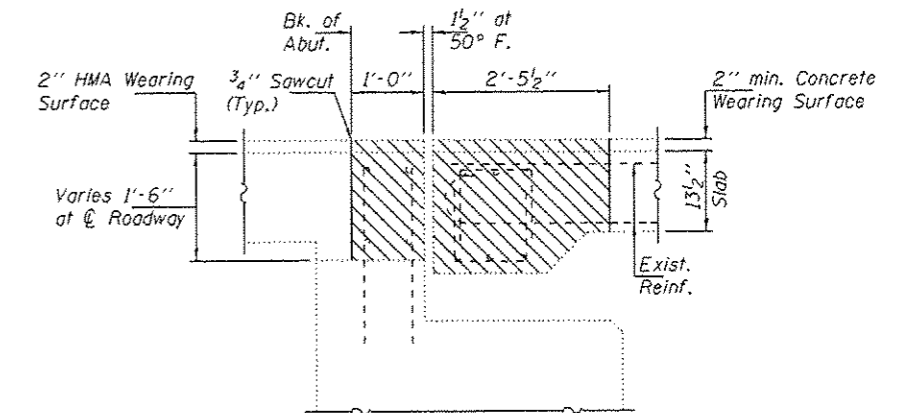


**EXISTING CROSS SECTION**  
 (Looking East at Northeast Abutment)  
 (Looking West at Southwest Abutment)

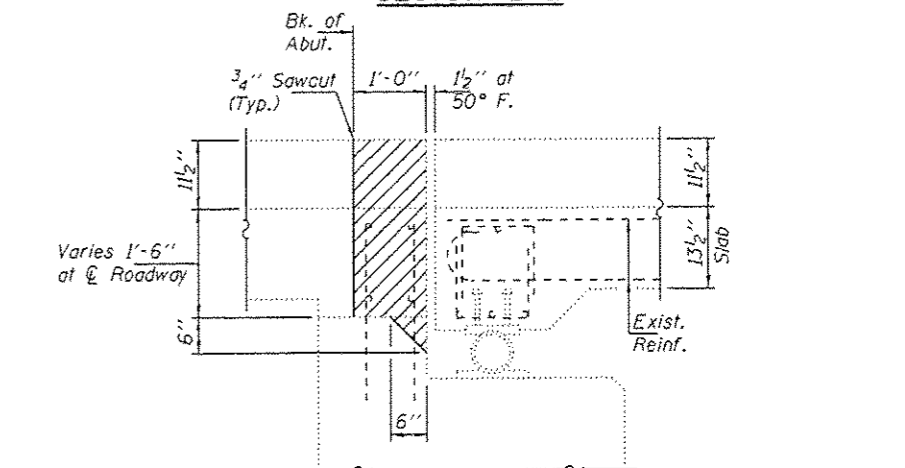
\* Dimension at Rt. L to local tangent.



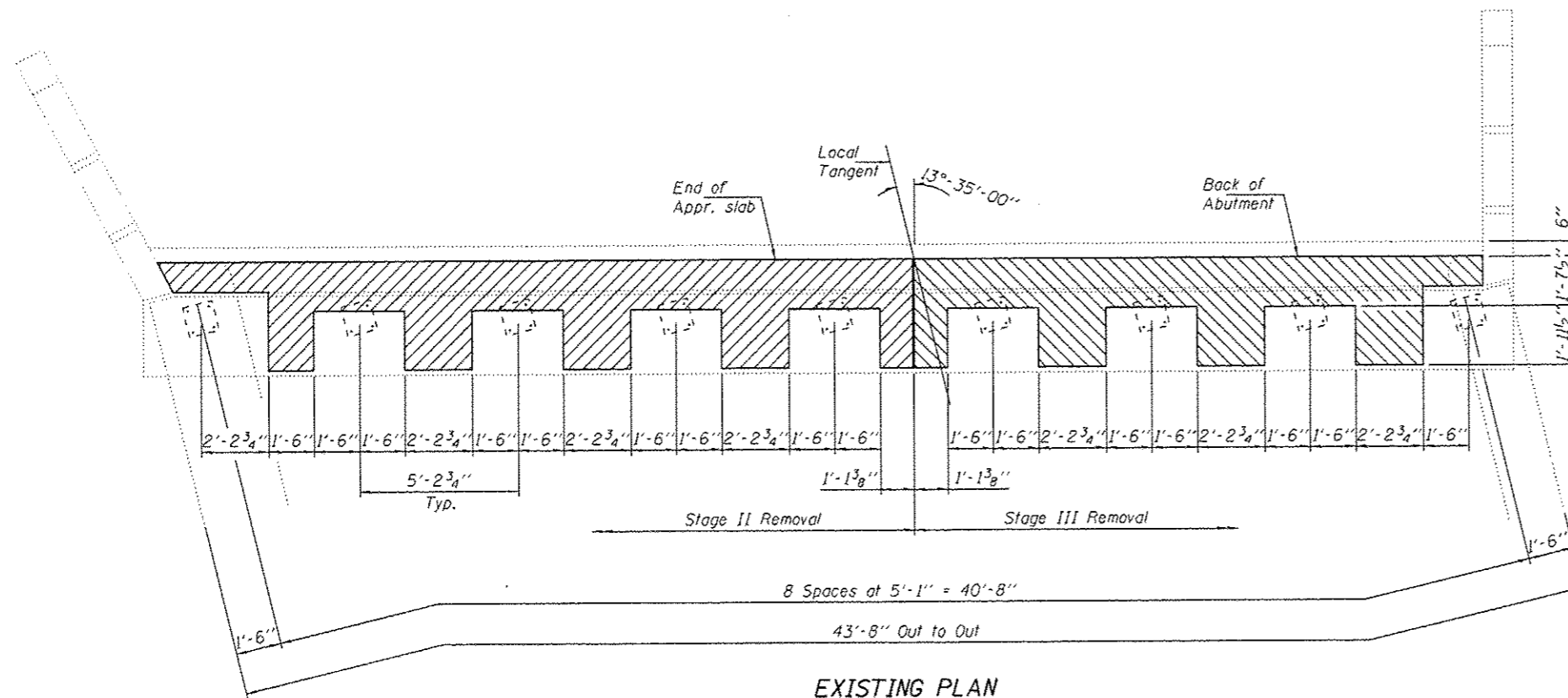
**SECTION A-A**



**SECTION B-B**



**SECTION C-C**



**EXISTING PLAN**

**BILL OF MATERIAL**

Item	Unit	Quantity
Concrete Removal	Cu. Yd.	10.5

DESIGNED - GGE  
 CHECKED - SMR  
 DRAWN - Kyle M. Staffon  
 CHECKED - GGE SMR

EXAMINED - *Timothy A. Daulton*  
 ACTING ENGINEER OF STRUCTURAL SERVICES  
 PASSED - *Carl Perry*  
 ACTING ENGINEER OF BRIDGES AND STRUCTURES

DATE - AUGUST 18, 2014

STATE OF ILLINOIS  
 DEPARTMENT OF TRANSPORTATION

REMOVAL DETAILS AT NORTHEAST & SOUTHWEST ABUTMENTS  
 SN 060-0029 (EB) & 0030 (WB)

SHEET NO. 3 OF 8 SHEETS

F.A.I. RTE.	SECTION	COUNTY	TOTAL SHEETS	SHEET NO.
70	60-111.12/RS-3	MADISON	242	190

CONTRACT NO. 76F13  
 ILLINOIS FED. AID PROJECT