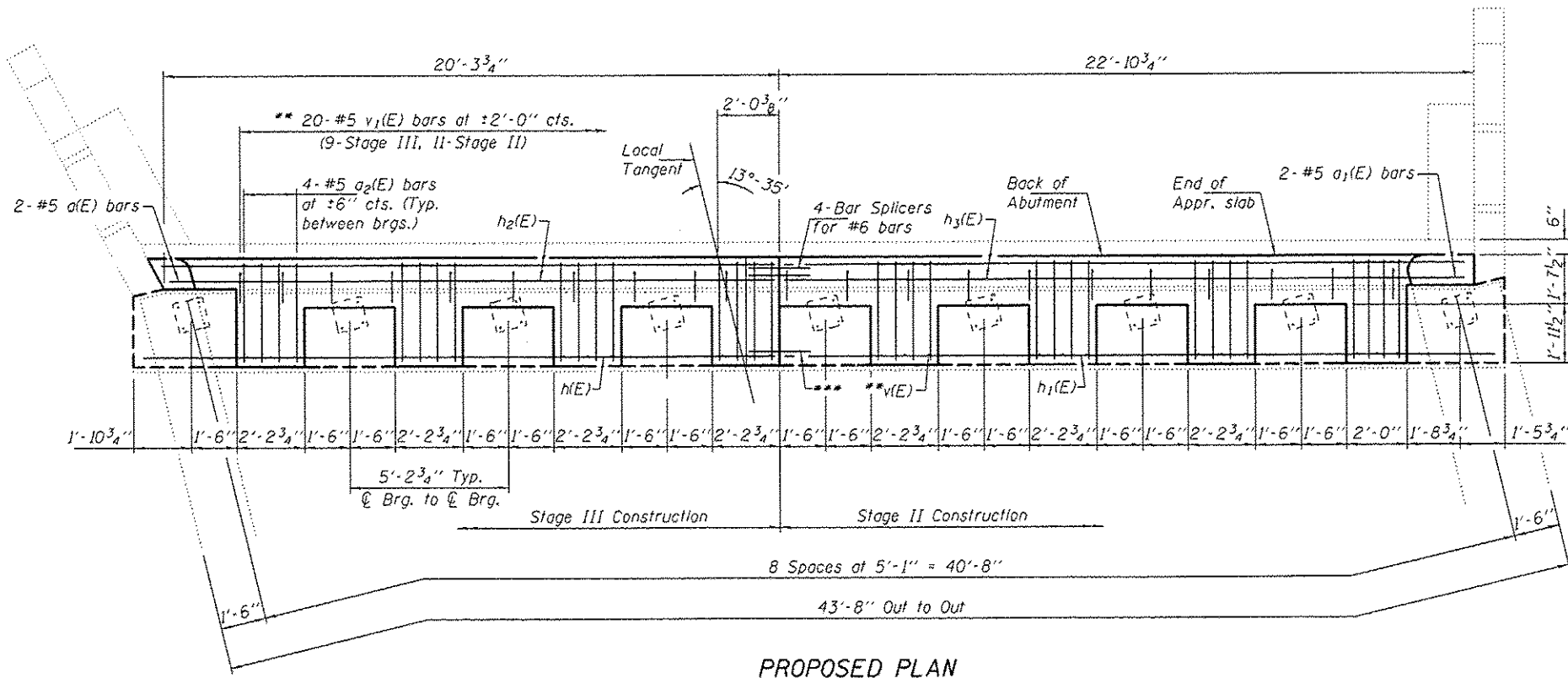


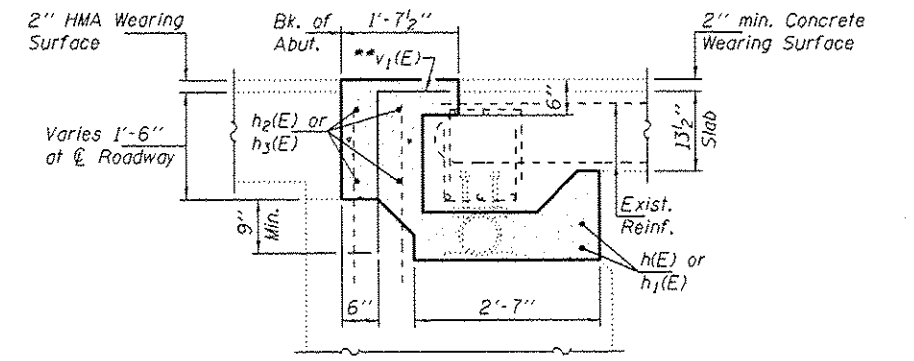
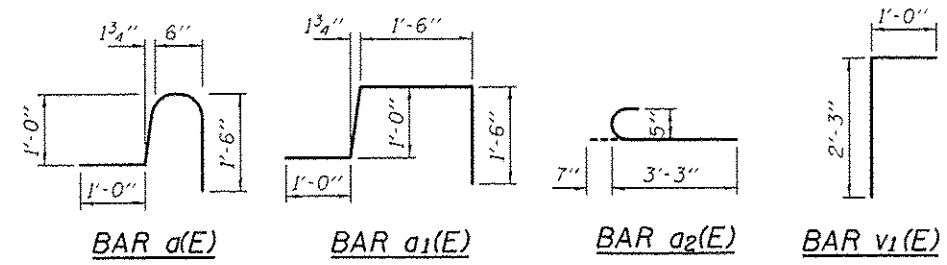
**PROPOSED CROSS SECTION**  
 (Looking West at Northwest Abutment)  
 (Looking East at Southeast Abutment)

Contractor shall ensure that concrete in these areas are properly consolidated. (Typ.)  
 \* Dimension at Rt. L to local tangent.

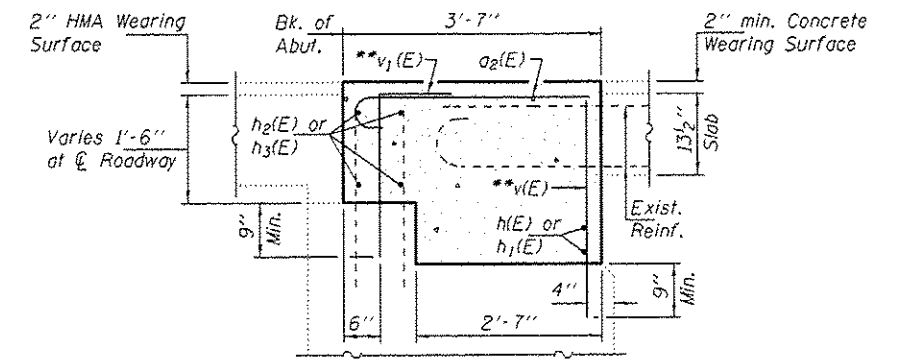


**PROPOSED PLAN**

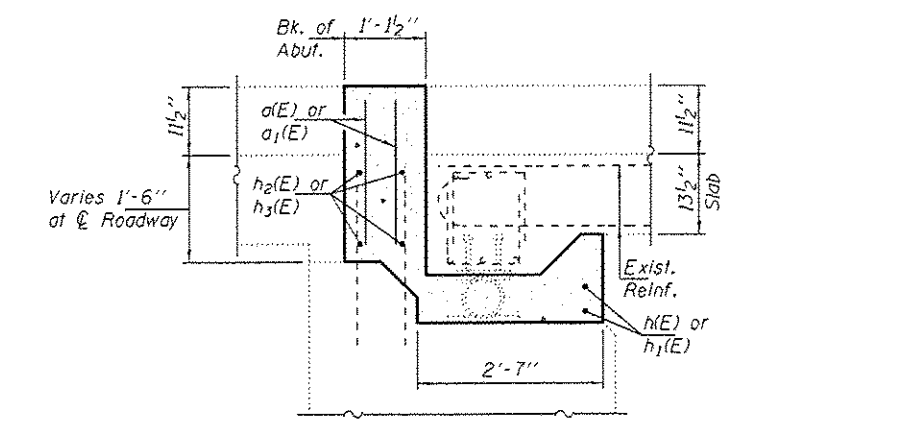
\*\* Epoxy grout v1(E) & v1(E) bars in 9" min. holes according to Article 584 of the Standard Specifications.  
 \*\*\* 2-Bar Splicers for #5 bars



**SECTION A-A**



**SECTION B-B**



**SECTION C-C**

**BILL OF MATERIAL**

Bar	No.	Size	Length	Shape
a1(E)	4	#5	4'-0"	┌
a2(E)	4	#5	5'-0"	┌
a2(E)	64	#5	3'-10"	└
h1(E)	4	#5	20'-11"	—
h2(E)	4	#5	23'-6"	—
h3(E)	8	#6	20'-0"	—
h3(E)	8	#6	22'-4"	—
v1(E)	48	#5	2'-3"	—
v1(E)	40	#5	3'-3"	└
Bar Splicers			Each	12
Concrete Superstructure			Cu. Yd.	17.6
Reinforcement Bars, Epoxy Coated			Lbs.	1240