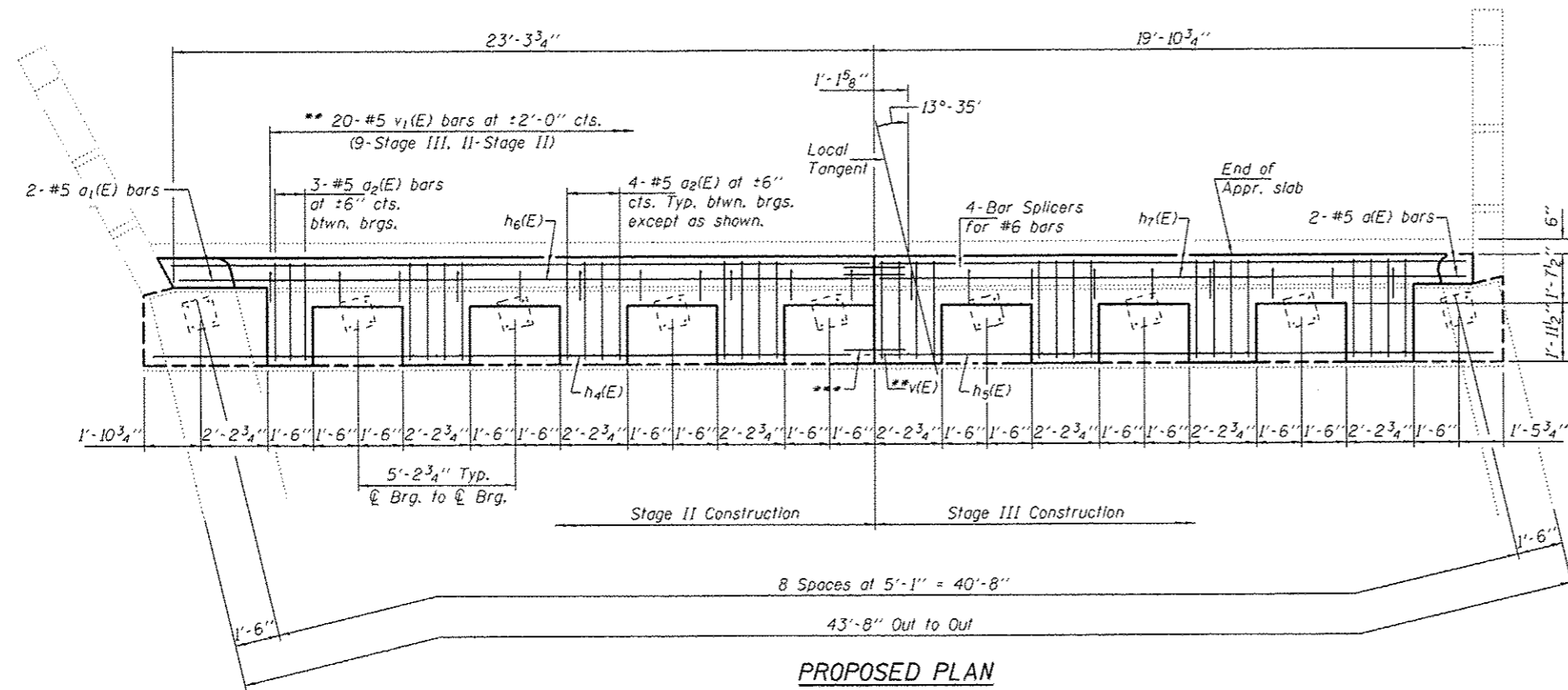


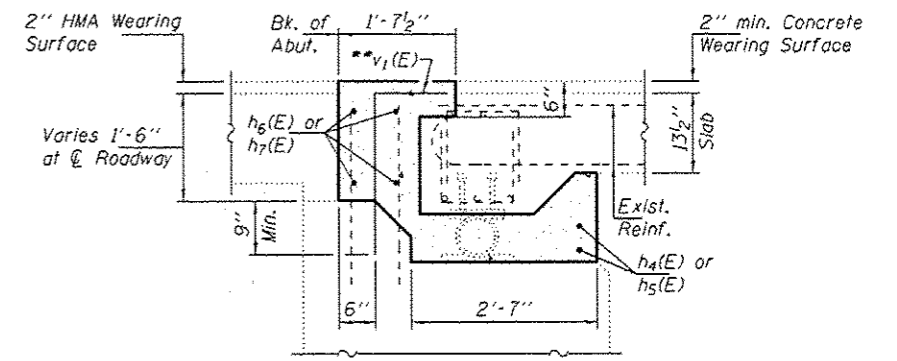
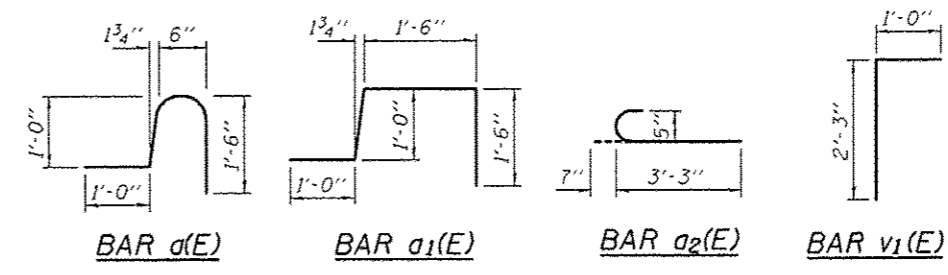
**PROPOSED CROSS SECTION**  
 (Looking West at Northeast Abutment)  
 (Looking East at Southwest Abutment)

Contractor shall ensure that concrete in these areas are properly consolidated. (Typ.)  
 \* Dimension at Rt. L to local tangent.

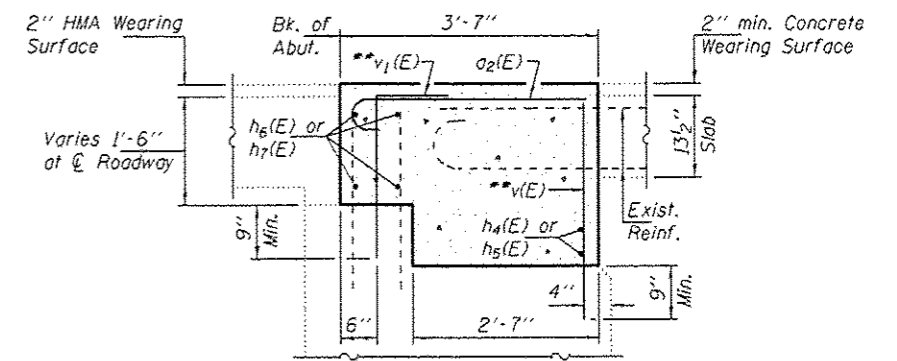


**PROPOSED PLAN**

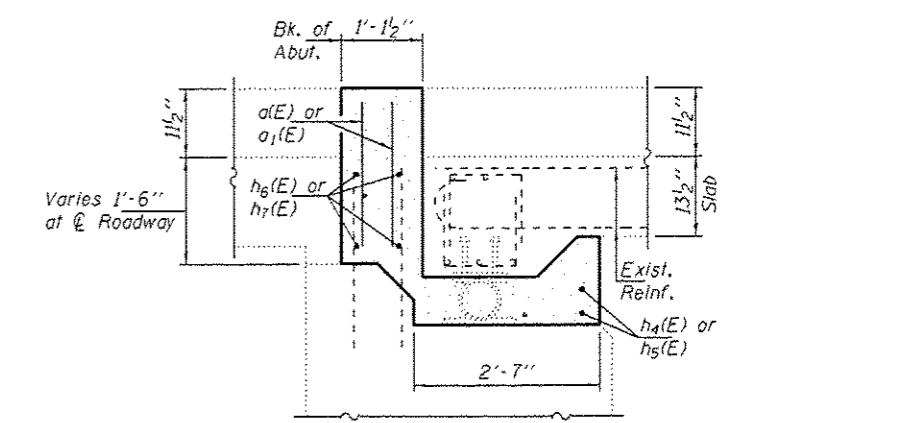
\*\* Epoxy grout v(E) & v1(E) bars in 9" min. holes according to Article 584 of the Standard Specifications.  
 \*\*\* 2-Bar Splicers for #5 bars



**SECTION A-A**



**SECTION B-B**



**SECTION C-C**

**BILL OF MATERIAL**

Bar	No.	Size	Length	Shape
a(E)	4	#5	4'-0"	┌
a1(E)	4	#5	5'-0"	┌
a2(E)	64	#5	3'-10"	┌
h4(E)	4	#5	23'-11"	—
h5(E)	4	#5	20'-7"	—
h6(E)	8	#6	22'-11"	—
h7(E)	8	#6	19'-6"	—
v(E)	48	#5	2'-3"	—
v1(E)	40	#5	3'-3"	┌
Bar Splicers	Each		12	
Concrete Superstructure	Cu. Yd.		17.6	
Reinforcement Bars, Epoxy Coated	Lbs.		1230	