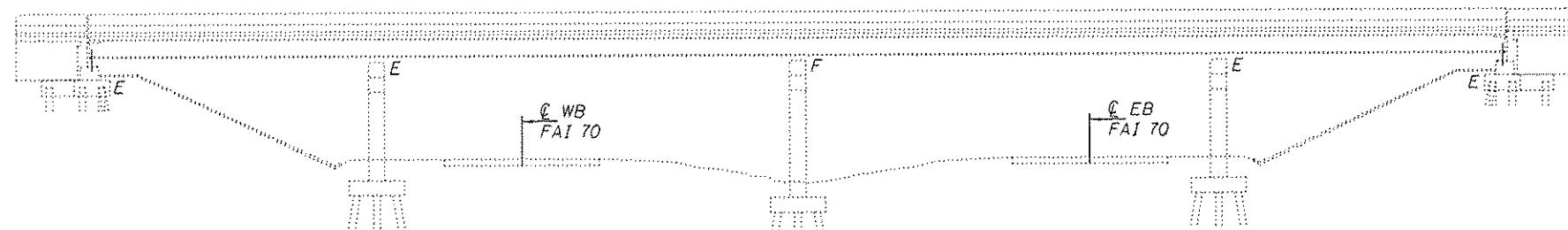
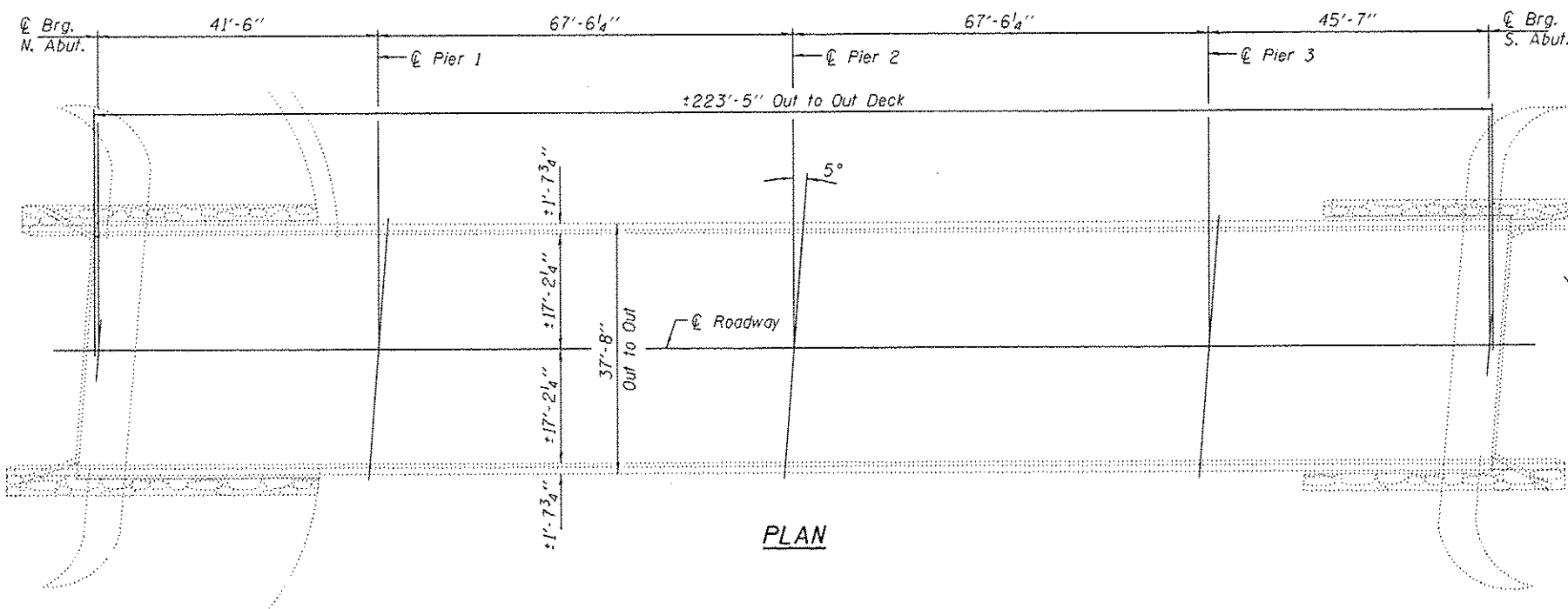


**GENERAL NOTES**

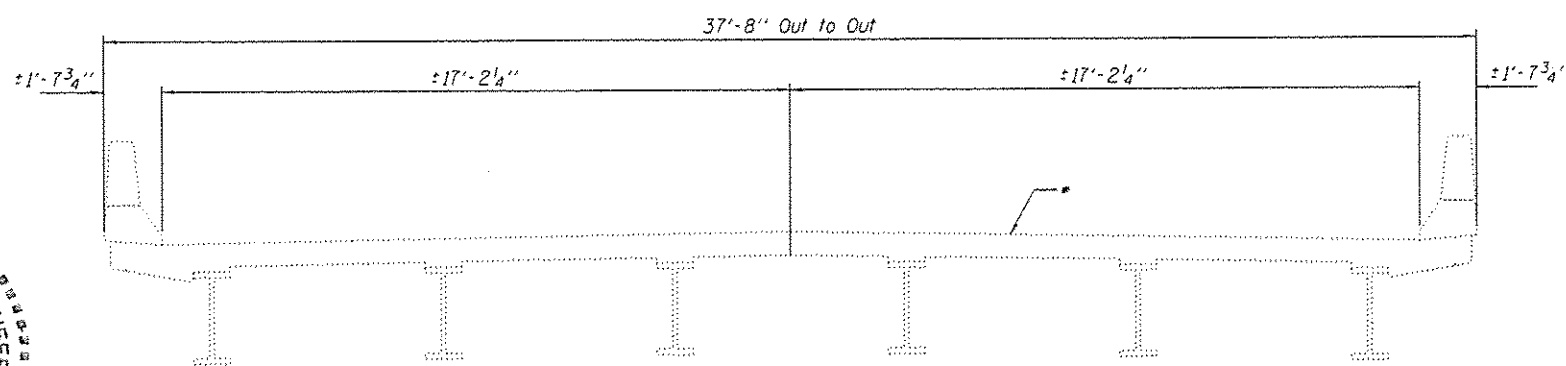
Plan dimensions and details relative to existing plans are subject to nominal construction variations. The Contractor shall field verify existing dimensions and details affecting new construction and make necessary approved adjustments prior to construction or ordering of materials. Such variations shall not be cause for additional compensation for a change in scope of the work, however, the Contractor will be paid for the quantity actually furnished at the unit price bid for the work.



**ELEVATION**



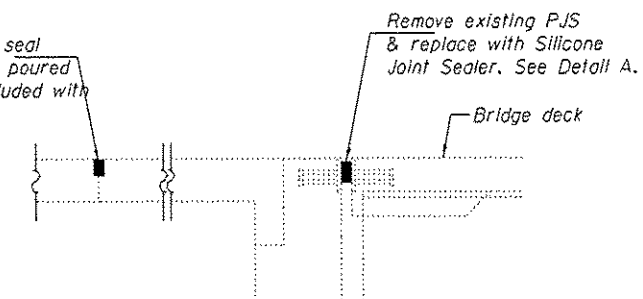
**PLAN**



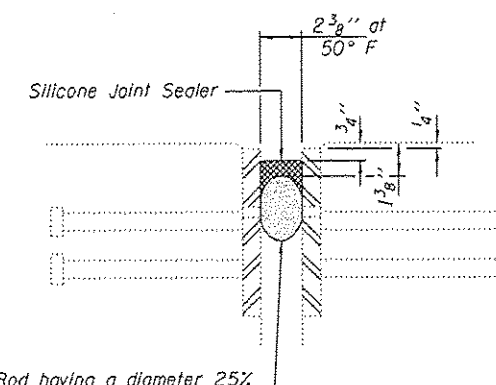
**CROSS SECTION**

\* Apply Bridge Deck Concrete Sealer to the deck surface and the face & top of the parapets.

Remove existing PJS & seal approach joint with Hot poured crack sealer. Cost included with Silicone Joint Sealer.

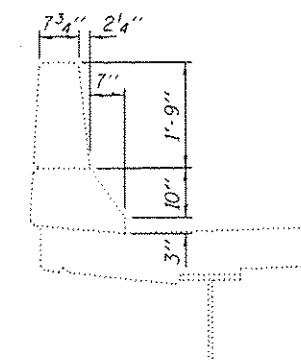


**SECTION THRU ABUTMENT**

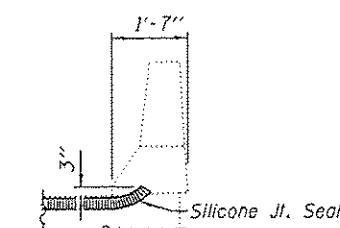


Backer Rod having a diameter 25% greater than the joint opening at the time of installation.

**DETAIL A**



**SECTION THRU PARAPET**



**TYPICAL END OF SEAL TREATMENTS**

**TOTAL BILL OF MATERIAL**

ITEM	UNIT	QUANTITY
Bridge Deck Concrete Sealer	Sq. Ft.	9333
Silicone Joint Sealer, 2.5"	Foot	76



EXPIRES 11-30-2014

DESIGNED: [Signature]  
 CHECKED: [Signature]  
 DRAWN: [Signature]  
 CHECKED: [Signature]

EXAMINED: [Signature]  
 PASSED: [Signature]

DATE: AUGUST 18, 2014  
 REVISED: [Blank]  
 REVISED: [Blank]

STATE OF ILLINOIS  
 DEPARTMENT OF TRANSPORTATION

PLAN AND ELEVATION  
 IL. 143 OVER FAI 70  
 SN 060-0151  
 SHEET NO. 1 OF 1 SHEETS

F.A.I. RTE.	SECTION	COUNTY	TOTAL SHEETS	SHEET NO.
10	60-111,121RS-3	MADISON	242	214
CONTRACT NO. 76F13				
ILLINOIS FED. AID PROJECT				