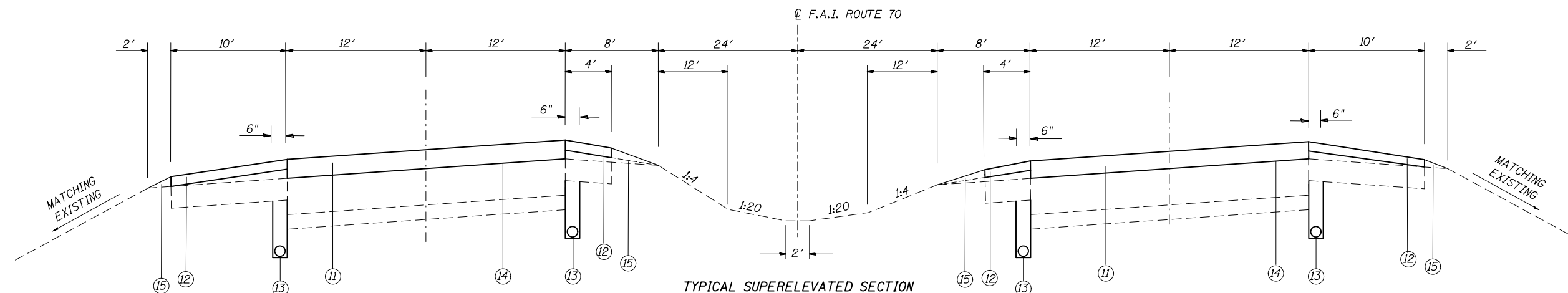


**TYPICAL SECTION**

Sta. 1028+40.00 to Sta. 1083+86.00  
 Sta. 1093+86.00 to Sta. 1222+53.00  
 Sta. 1232+53.00 to Sta. 1288+05.00 EB  
 Sta. 1232+53.00 to Sta. 1288+46.00 WB  
 Sta. 1298+05.00 to Sta. 1337+70.54 EB  
 Sta. 1298+46.00 to Sta. 1332+20.10 WB  
 Sta. 1347+63.00 to Sta. 1374+53.68 WB  
 Sta. 1395+01.69 to Sta. 1402+67.00 EB  
 Sta. 1392+87.96 to Sta. 1402+59.00 WB  
 Sta. 1412+67.00 to Sta. 1427+88.74 EB  
 Sta. 1412+59.00 to Sta. 1427+88.74 WB  
 Sta. 1456+19.13 to Sta. 1527+32.77  
 Sta. 1543+29.21 to Sta. 1551+80.57  
 Sta. 1565+75.06 to Sta. 1569+31.92



**TYPICAL SUPERELEVATED SECTION**

Sta. 1332+20.10 to Sta. 1347+63.00 WB  
 Sta. 1337+70.54 to Sta. 1395+01.69 EB  
 Sta. 1374+53.68 to Sta. 1392+87.96 WB  
 Sta. 1427+88.74 to Sta. 1456+19.13  
 Sta. 1527+32.77 to Sta. 1543+29.21  
 Sta. 1551+80.57 to Sta. 1565+75.06  
 Sta. 1569+31.92 to Sta. 1588+00.00

**LEGEND**

- ① EXISTING P.C.C PAVEMENT
- ② EXISTING CONTINUOUSLY REINFORCED P.C.C. PAVEMENT, 8"
- ③ EXISTING STABILIZED SUB-BASE, 4"
- ④ EXISTING HMA RESURFACING, 5"
- ⑤ EXISTING HMA SHOULDERS
- ⑥ EXISTING AGGREGATE SHOULDER, TYPE B
- ⑦ EXISTING AGGREGATE SHOULDER 13", TYPE B
- ⑧ EXISTING PIPE UNDERDRAINS
- ⑨ EXISTING STABILIZED SHOULDER
- ⑩ EXISTING BITUMINOUS RESURFACING, 3 1/4"
- ⑪ PROPOSED POLY-HMA SURFACE COURSE SMA, N80, 5" (TWO - 2 1/2" LIFTS)
- ⑫ PROPOSED HMA SHOULDERS (2 1/2")
- ⑬ PROPOSED PIPE UNDERDRAINS
- ⑭ PROPOSED POLY-BITUMINOUS PRIME COAT
- ⑮ PROPOSED AGGREGATE WEDGE SHOULDER, TYPE B (AS NEEDED)
- ⑯ PROPOSED CONTINUOUSLY REINFORCED PORTLAND CEMENT CONCRETE PAVEMENT, 8"
- ⑰ PROPOSED HMA STABILIZED SUBBASE 4"
- ⑱ PROPOSED SUBBASE GRANULAR MATERIAL, TYPE A, 12"
- ⑲ PROPOSED HMA BASE COURSE, (SEE DETAIL)
- ⑲ PROPOSED HMA BASE COURSE, (SEE DETAIL)
- ⑲ PROPOSED POLY-HMA SURFACE COURSE SMA, N80, 4" (TWO - 2" LIFTS)
- ⑲ PROPOSED POLY-HMA SHOULDERS, 2 1/4"

FILE NAME =	USER NAME = #USER#	DESIGNED -	REVISED -	<b>STATE OF ILLINOIS DEPARTMENT OF TRANSPORTATION</b>	<b>PROPOSED TYPICALS</b>				F.A.I. RTE.	SECTION	COUNTY	TOTAL SHEETS	SHEET NO.
#FILE#		DRAWN -	REVISED -		70	60-(11,12)RS-3	MADISON	242	17				
PLOT SCALE = #SCALE#		CHECKED -	REVISED -		SCALE: NTS    SHEET NO.    OF    SHEETS    STA.    TO STA.				CONTRACT NO. 76F13				
PLOT DATE = #DATE#		DATE -	REVISED -		FED. ROAD DIST. NO.		ILLINOIS FED. AID PROJECT						