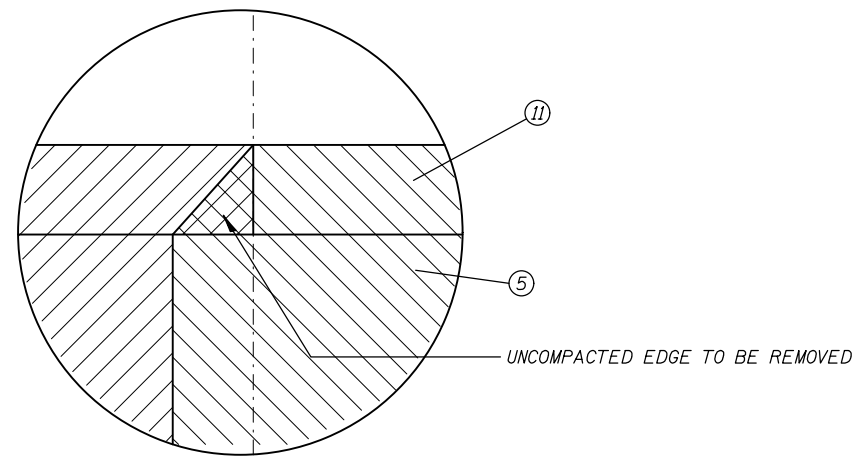


**HMA WEDGE REMOVAL DETAIL**  
NOTE: UNDERDRAINS NOT SHOWN FOR CLARITY



**DETAIL "A"**

**LEGEND**

- ⑤ PROPOSED CRC PCC PAVEMENT
- ⑩ PROPOSED SUBBASE GRANULAR MATERIAL, TYPE A, 12"
- ⑪ HMA SURFACE COURSE SMA, N80, 5"
- ⑫ PROPOSED STABILIZED SUBBASE-HMA, 4"

STAGE 2 CONSTRUCTION

STAGE 3 CONSTRUCTION

FILE NAME = *FILEL*	USER NAME = *USER*	DESIGNED -	REVISED -	<b>STATE OF ILLINOIS DEPARTMENT OF TRANSPORTATION</b>	<b>HMA EDGES AT OVERHEAD BRIDGE LOCATIONS</b>			F.A.I. RTE.	SECTION	COUNTY	TOTAL SHEETS	SHEET NO.
	PLOT SCALE = *SCALE*	CHECKED -	REVISED -		70	60-(11,12)RS-3	MADISON	242	92			
PLOT DATE = *DATE*	DATE -	REVISED -		SCALE: NTS	SHEET NO.	OF	SHEETS	STA.	TO STA.	CONTRACT NO. 76F13		
											FED. ROAD DIST. NO. ILLINOIS FED. AID PROJECT	