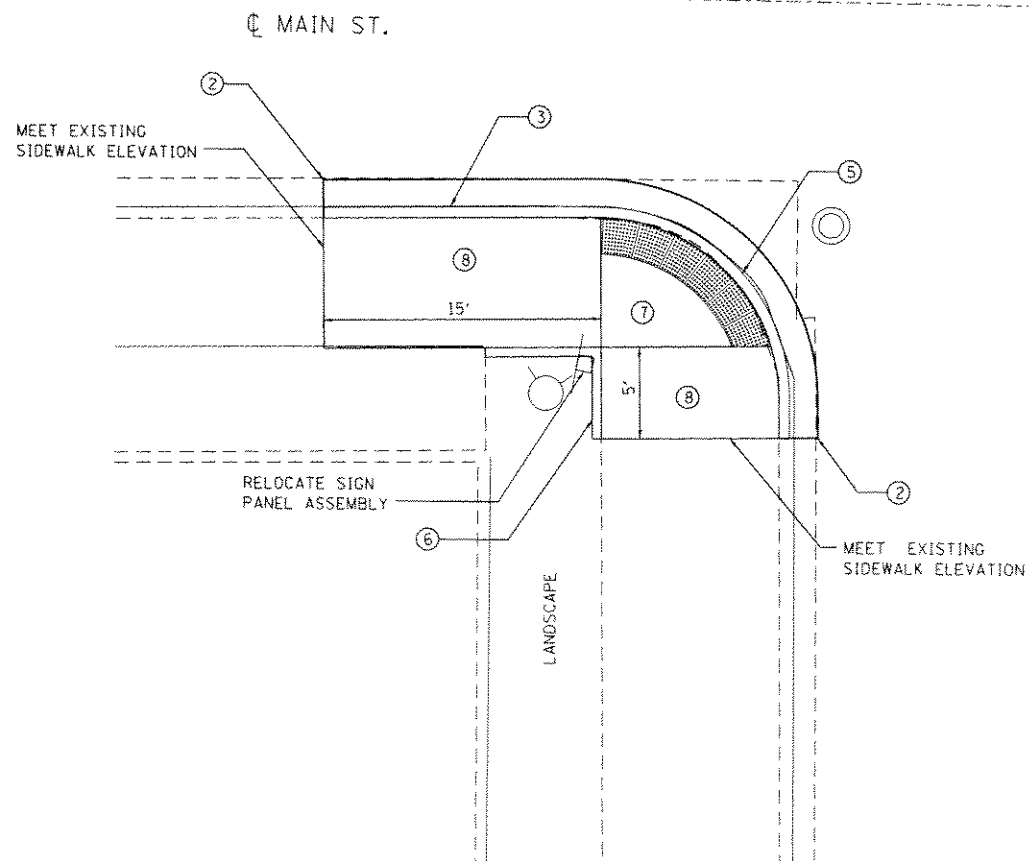


**SIDEWALK RAMP AT THE NORTHWEST CORNER OF MAIN ST. AND IL RTE 4**

NOTE:  
DESIGNED TO MAXIMUM EXTENT PRACTICABLE




**SIDEWALK RAMP AT THE SOUTHWEST CORNER OF MAIN ST. AND IL RTE 4**

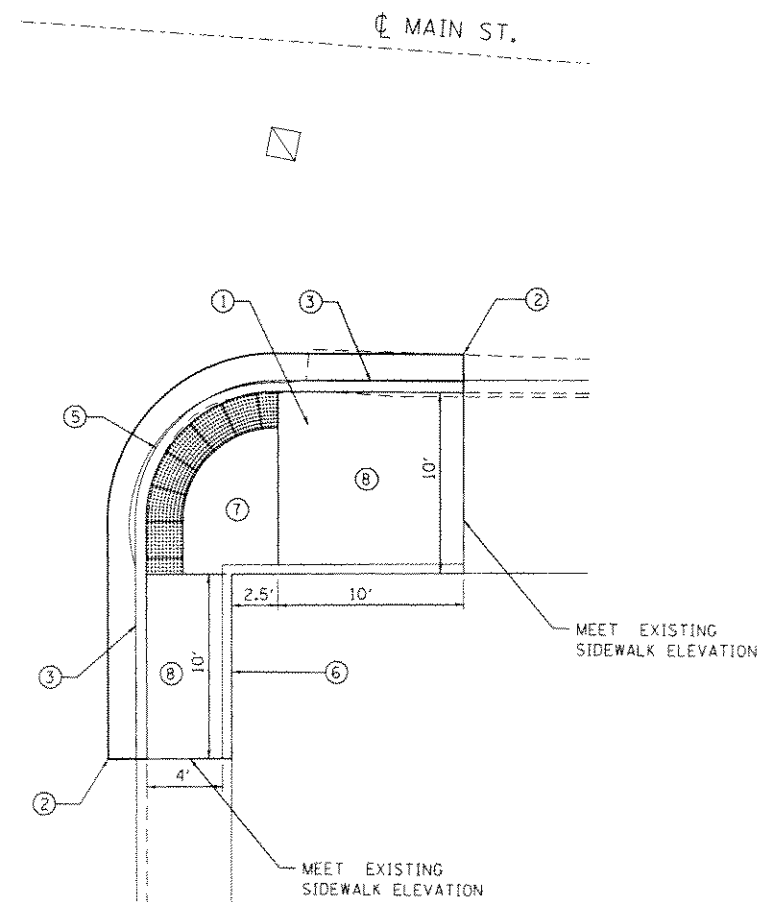
NOTE:  
REFER TO STANDARD 424021-02 FOR DETAILS NOT SHOWN.

CL IL RTE 4

CL MAIN ST.

**LEGEND**

-  DETECTABLE WARNING
- ① REMOVE EXISTING RAMP, SIDEWALK, AND CURB & GUTTER TO LIMITS SHOWN
- ② LIMITS OF CURB & GUTTER REMOVAL
- ③ CC CURB AND GUTTER TY B-6.18
- ④ CC CURB AND GUTTER TY B-6.24
- ⑤ DEPRESSED CURB & GUTTER
- ⑥ 6" SIDE CURB
- ⑦ 1:50 MAX SLOPE IN ALL DIRECTIONS
- ⑧ 1:12 MAX LONGITUDINAL SLOPE  
1:50 MAX CROSS SLOPE



**SIDEWALK RAMP AT THE SOUTHEAST CORNER OF MAIN ST. AND IL RTE 4**

NOTE:  
REFER TO STANDARD 424021-02 FOR DETAILS NOT SHOWN.

FILE NAME =	USER NAME = jdk1	DESIGNED JCG	REVISED	<b>STATE OF ILLINOIS DEPARTMENT OF TRANSPORTATION</b>	<b>SIDEWALK RAMP DETAILS</b>	F.A.P. RTE.	SECTION	COUNTY	TOTAL SHEETS	SHEET NO.	
X:\CHN\ES\2014\11004-21\CAD\plans\DS7657	skt-MASH.dgn	DRAWN JJK	REVISED			682	21-IRS-4	RANDOLPH	24	17	
#MODELNAME#	PLOT SCALE = 1/8" = 1' / in.	CHECKED MJB	REVISED			SHEET OF SHEETS STA. TO STA.		CONTRACT NO. 76G97			
	PLOT DATE = 7/18/2014	DATE 06/30/14	REVISED			ILLINOIS FED. AID PROJECT					