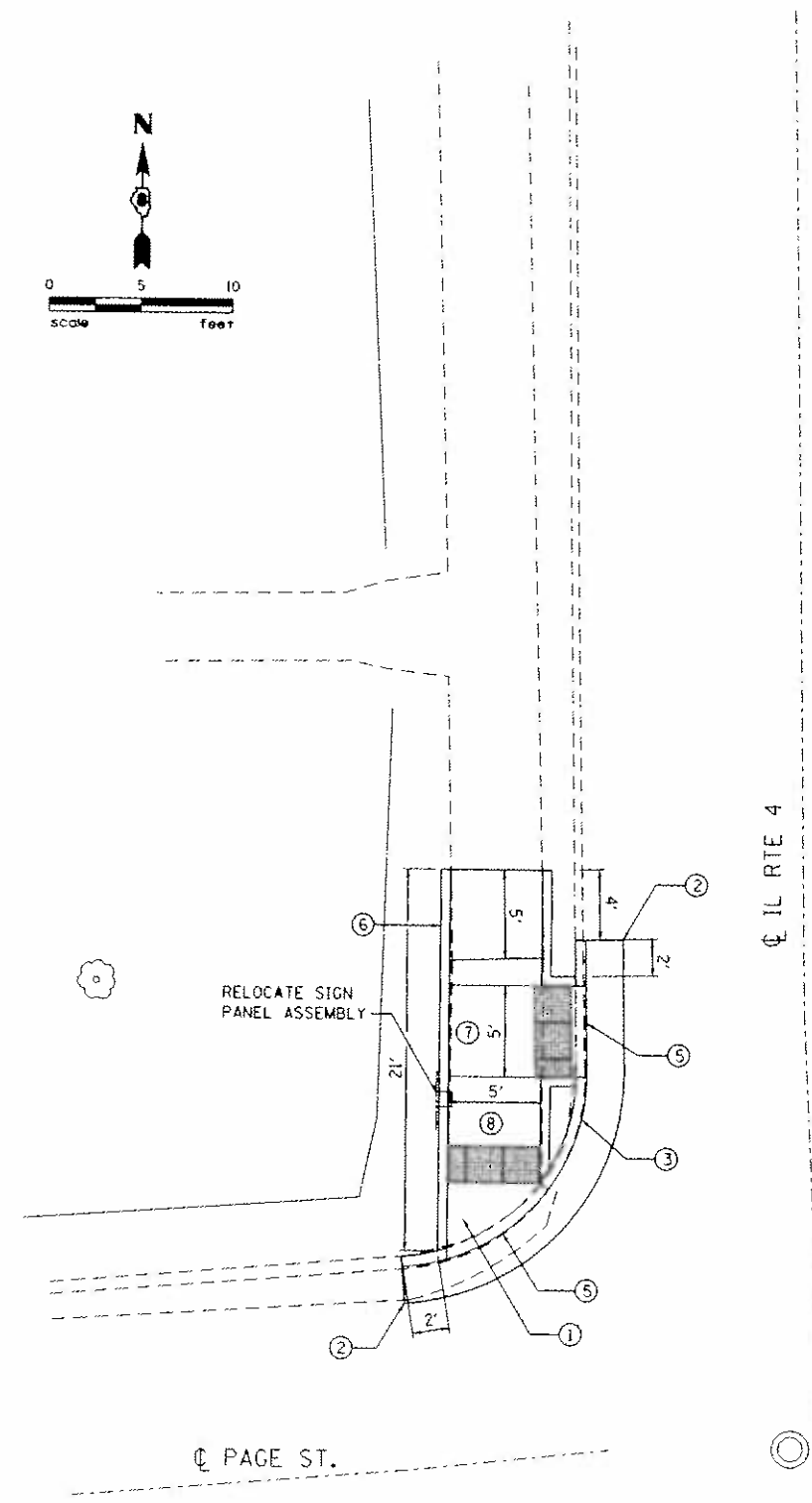
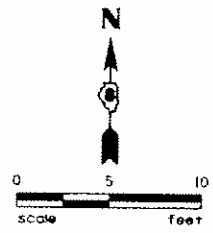


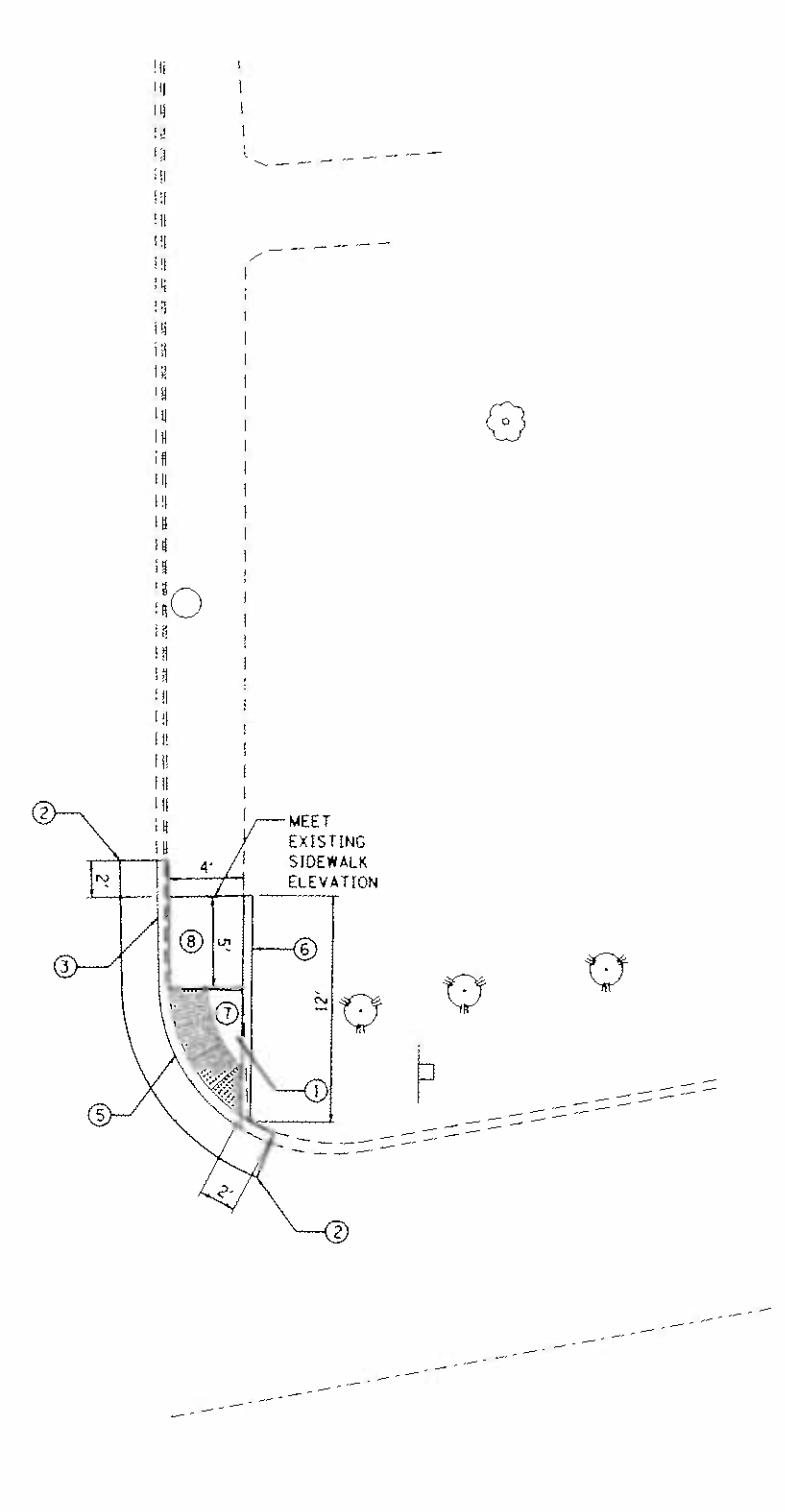
**LEGEND**

- DETECTABLE WARNING
- ① REMOVE EXISTING RAMP, SIDEWALK, AND CURB & GUTTER TO LIMITS SHOWN
- ② LIMITS OF CURB & GUTTER REMOVAL
- ③ CC CURB AND GUTTER TY B-6.18
- ④ CC CURB AND GUTTER TY B-6.24
- ⑤ DEPRESSED CURB & GUTTER
- ⑥ 6" SIDE CURB
- ⑦ 1:50 MAX SLOPE IN ALL DIRECTIONS
- ⑧ 1:12 MAX LONGITUDINAL SLOPE  
1:50 MAX CROSS SLOPE



**SIDEWALK RAMP AT THE NORTHWEST CORNER OF PAGE ST. AND IL RTE 4**

NOTE:  
REFER TO STANDARD 424001-07 FOR DETAILS NOT SHOWN.



**SIDEWALK RAMP AT THE NORTHEAST CORNER OF PAGE ST. AND IL RTE 4**

NOTE:  
REFER TO STANDARD 424001-07 FOR DETAILS NOT SHOWN.

FILE NAME: 21-IRSD-4-21-001-1081609	USER NAME: JJK	DESIGNED: JGG	REVISED:	<b>STATE OF ILLINOIS DEPARTMENT OF TRANSPORTATION</b>	<b>SIDEWALK RAMP DETAILS</b>	F.A.P. RTE. 682	SECTION 21-IRS-4	COUNTY RANDOLPH	TOTAL SHEETS 24	SHEET NO. 21	
MODEL NAME:	PLT SCALE: 1/8" = 1'-0"	CHECKED: MJB	REVISED:			SHEET OF SHEETS	STA. TO STA.	ILLINOIS FED. AID PROJECT			
	PLT DATE: 7/18/2014	DATE: 06/30/14	REVISED:					CONTRACT NO. 76G97			