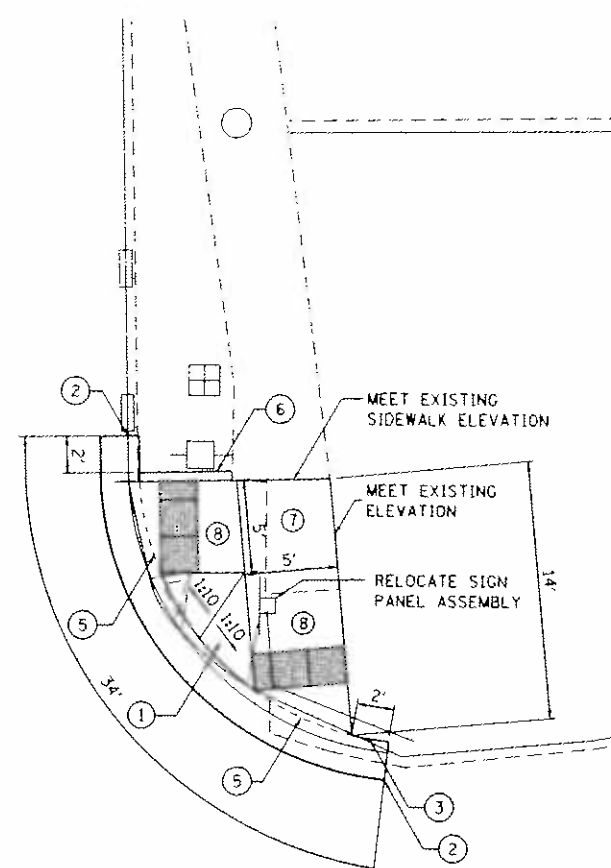


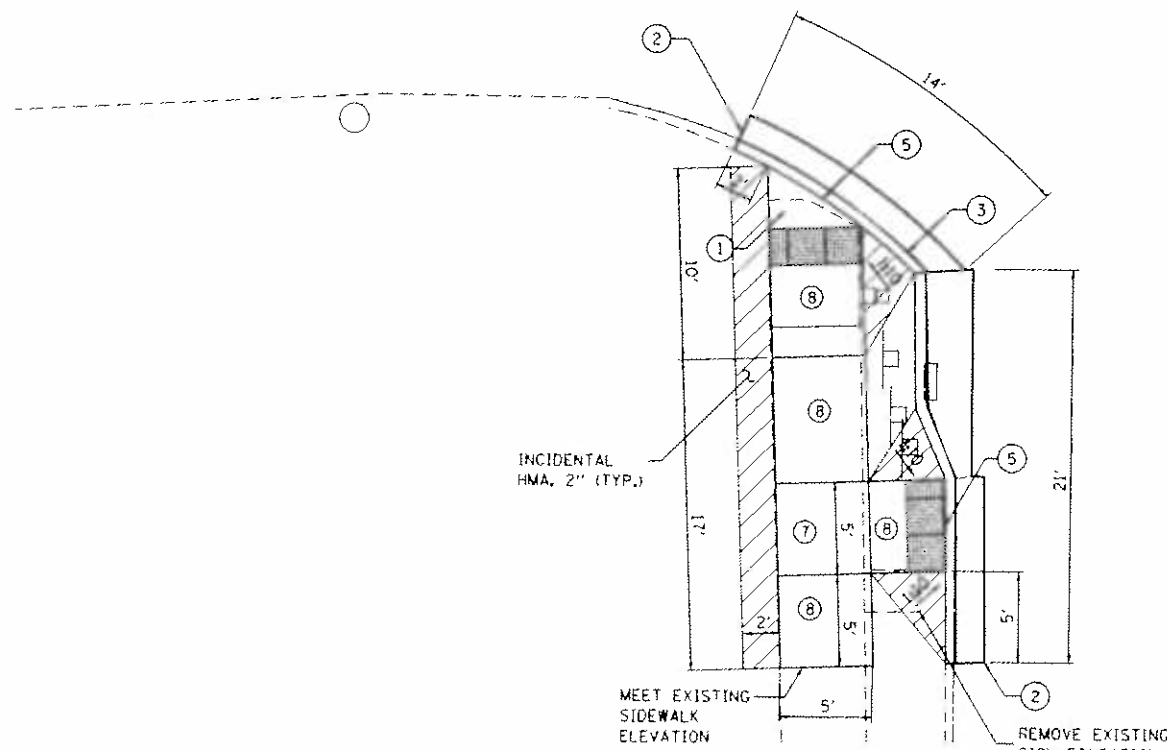
SIDEWALK RAMP AT THE NORTHWEST CORNER OF HOOD ST. AND IL RTE 4

NOTE:
DESIGNED TO MAXIMUM EXTENT PRACTICAL.
☐ HOOD ST.



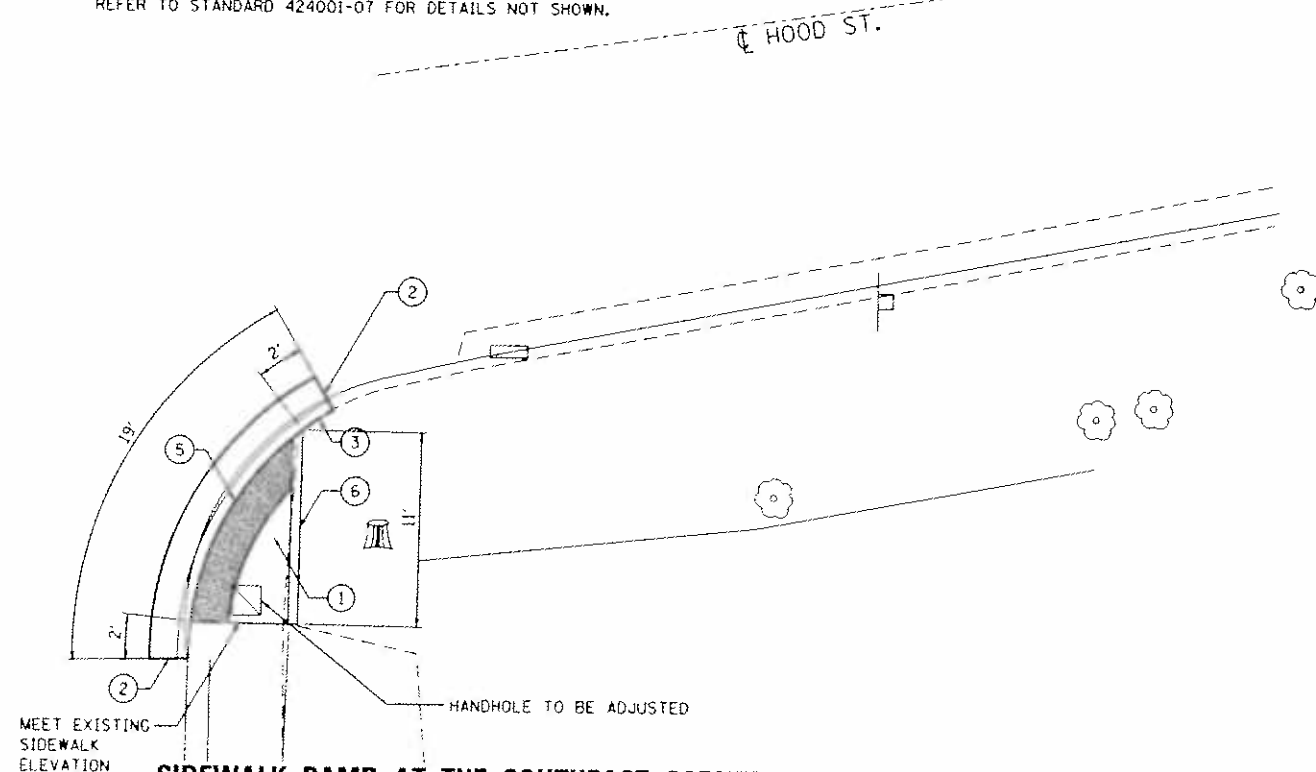
SIDEWALK RAMP AT THE NORTHEAST CORNER OF HOOD ST. AND IL RTE 4

NOTE:
REFER TO STANDARD 424001-07 FOR DETAILS NOT SHOWN.



SIDEWALK RAMP AT THE SOUTHWEST CORNER OF HOOD ST. AND IL RTE 4

NOTE:
REFER TO STANDARD 424001-07 FOR DETAILS NOT SHOWN.

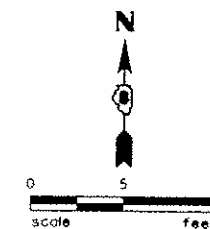


SIDEWALK RAMP AT THE SOUTHEAST CORNER OF HOOD ST. AND IL RTE 4

NOTE:
DESIGNED TO MAXIMUM EXTENT PRACTICABLE.
RAMP CROSS SLOPE +/- 4.5%

LEGEND

- ☐ DETECTABLE WARNING
- ① REMOVE EXISTING RAMP, SIDEWALK, AND CURB & GUTTER TO LIMITS SHOWN
- ② LIMITS OF CURB & GUTTER REMOVAL
- ③ CC CURB AND GUTTER TY B-6.18
- ④ CC CURB AND GUTTER TY B-6.24
- ⑤ DEPRESSED CURB & GUTTER
- ⑥ 6" SIDE CURB
- ⑦ 1:50 MAX SLOPE IN ALL DIRECTIONS
- ⑧ 1:12 MAX LONGITUDINAL SLOPE
1:50 MAX CROSS SLOPE



FILE NAME	USER NAME	DESIGNED	REVISED
SYNCHRONIZED: 11204 - 21-IR5-4-2014-06-30-14	JJK	JGG	
MODEL NAME	PLT SCALE	CHECKED	REVISED
	1/8" = 1'-0"	MJB	
	PLT DATE	DATE	REVISED
	7/2/2014	06/30/14	

STATE OF ILLINOIS
DEPARTMENT OF TRANSPORTATION

SIDEWALK RAMP DETAILS

SHEET OF SHEETS STA. TO STA.

F.A.P. RTE.	SECTION	COUNTY	TOTAL SHEETS	SHEET NO.
682	21-IR5-4	RANDOLPH	24	22
CONTRACT NO. T6G97			ILLINOIS FED. AID PROJECT	