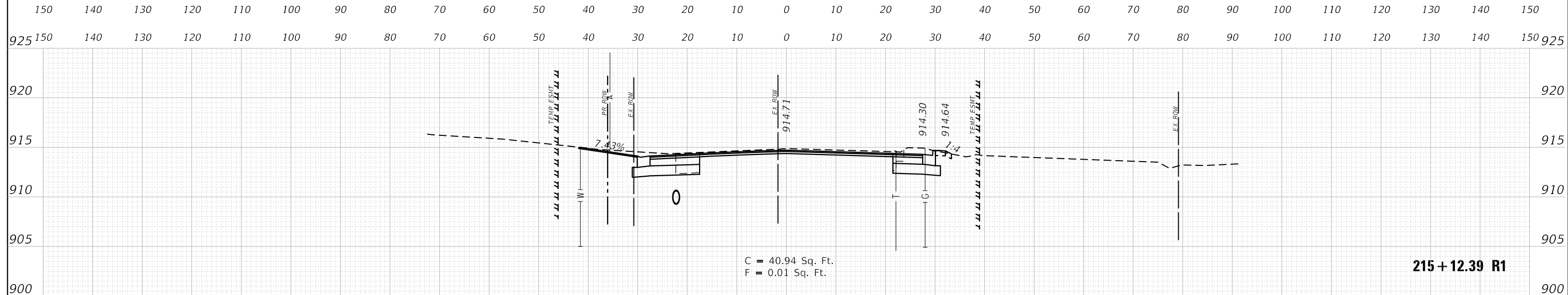
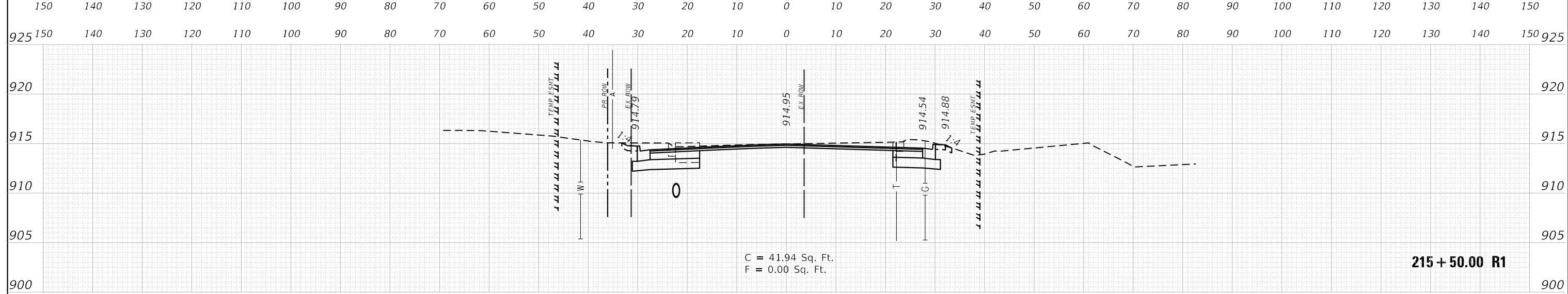
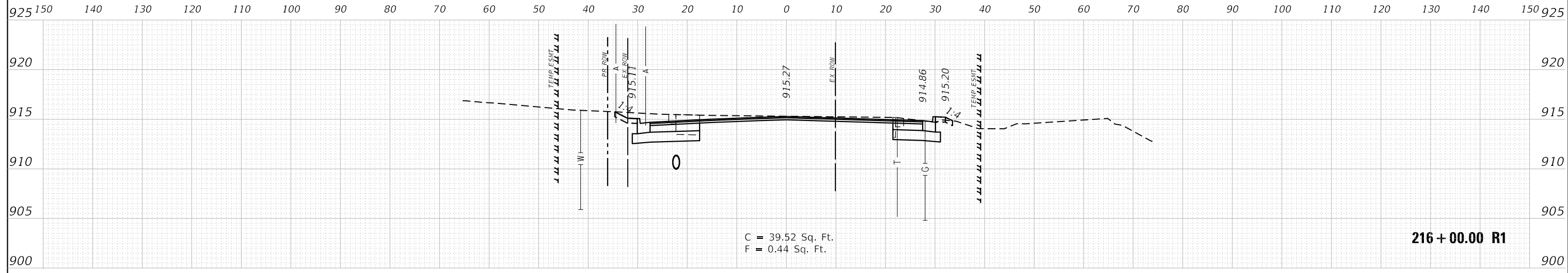


FILE NAME =	DESIGNED - KJD	REVISED -	STATE OF ILLINOIS DEPARTMENT OF TRANSPORTATION	CROSS SECTIONS MAIN STREET			F.A.U. RTE.	SECTION	COUNTY	TOTAL SHEETS	SHEET NO.
	DRAWN - RWK	REVISED -		STA. 214 + 00 TO STA. 215 + 00			116/124	12-00116-00-CH	MCHENRY	208	201
USER NAME = jreambillo	CHECKED - DFL	REVISED -					CONTRACT NO. 61F58				
PLOT DATE = 5/27/2019	DATE - 5/28/2019	REVISED -					ILLINOIS FED. AID PROJECT				
			SCALE:			SHEET NO. OF SHEETS		STA. TO STA.			



FILE NAME =	DESIGNED - KJD	REVISED -
	DRAWN - RWK	REVISED -
USER NAME = jreambillo	CHECKED - DFL	REVISED -
PLOT DATE = 5/27/2019	DATE - 5/28/2019	REVISED -

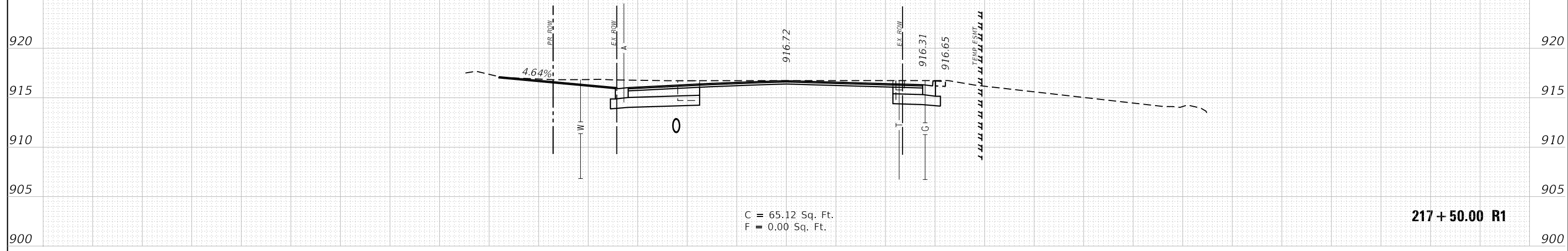


**STATE OF ILLINOIS
DEPARTMENT OF TRANSPORTATION**

CROSS SECTIONS MAIN STREET STA. 215 + 12.39 TO STA. 216 + 00			
SCALE:	SHEET NO.	OF SHEETS	STA. TO STA.

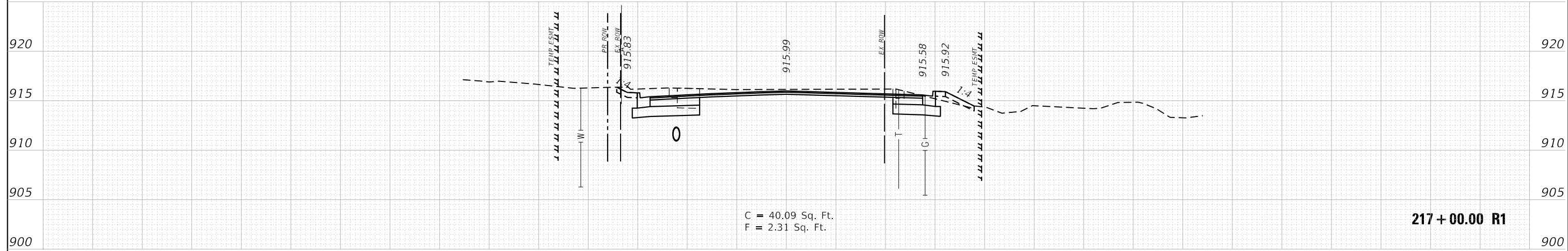
F.A.U. RTE.	SECTION	COUNTY	TOTAL SHEETS	SHEET NO.
116/124	12-00116-00-CH	MCHENRY	208	202
CONTRACT NO. 61F58			ILLINOIS FED. AID PROJECT	

925 150 140 130 120 110 100 90 80 70 60 50 40 30 20 10 0 10 20 30 40 50 60 70 80 90 100 110 120 130 140 150 925



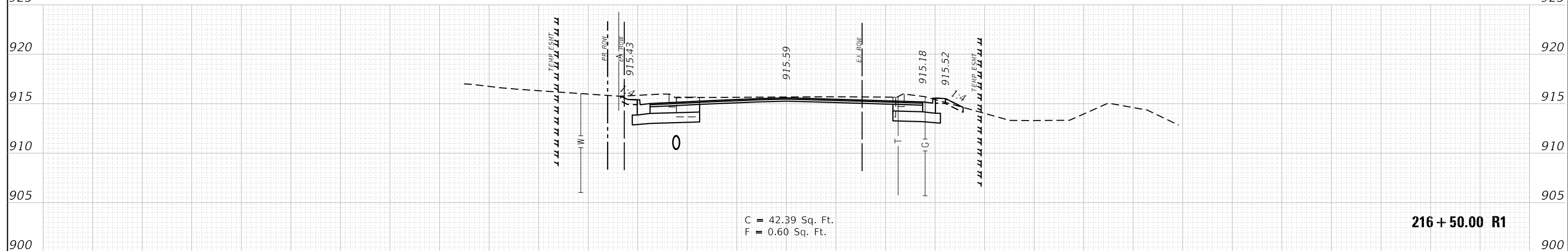
150 140 130 120 110 100 90 80 70 60 50 40 30 20 10 0 10 20 30 40 50 60 70 80 90 100 110 120 130 140 150

925 150 140 130 120 110 100 90 80 70 60 50 40 30 20 10 0 10 20 30 40 50 60 70 80 90 100 110 120 130 140 150 925



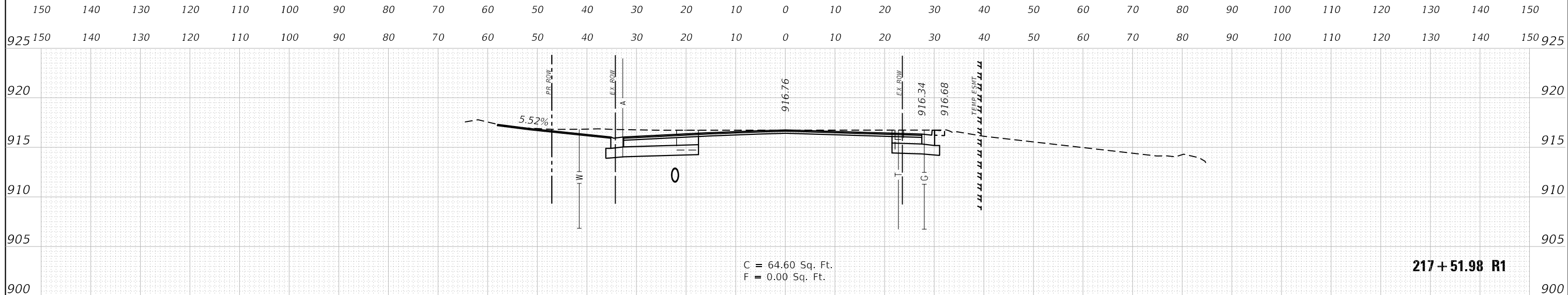
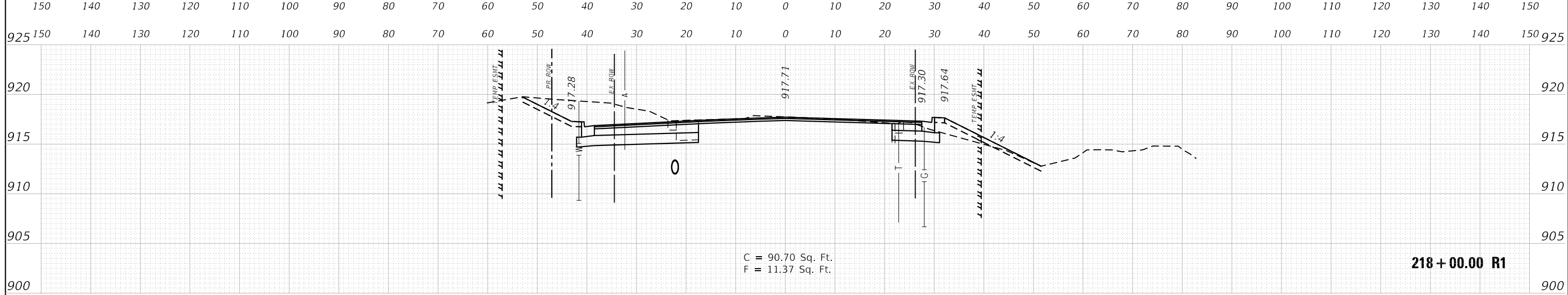
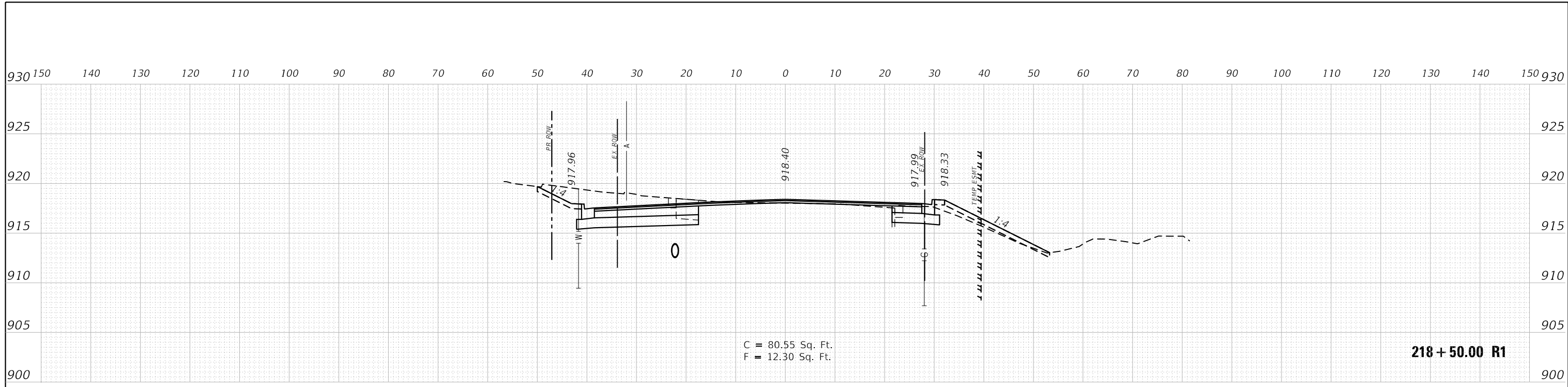
150 140 130 120 110 100 90 80 70 60 50 40 30 20 10 0 10 20 30 40 50 60 70 80 90 100 110 120 130 140 150

925 150 140 130 120 110 100 90 80 70 60 50 40 30 20 10 0 10 20 30 40 50 60 70 80 90 100 110 120 130 140 150 925

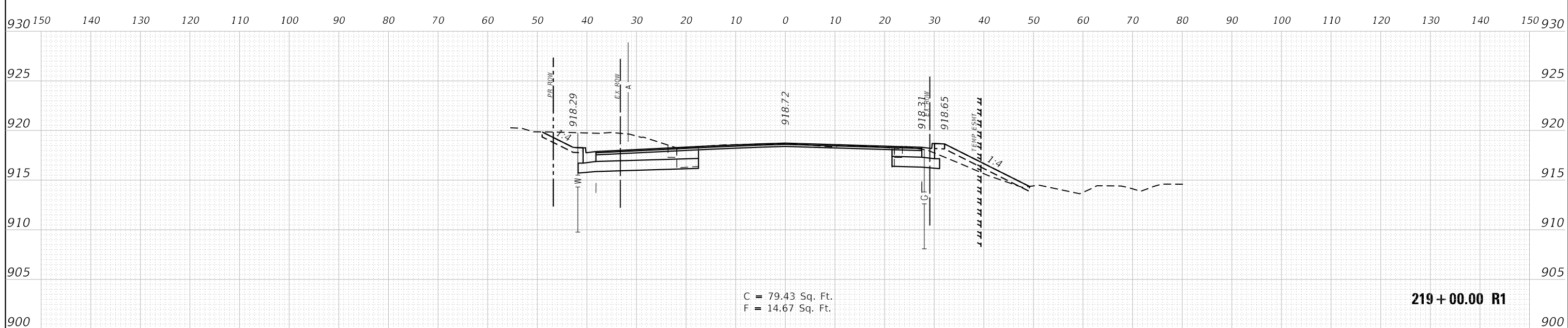
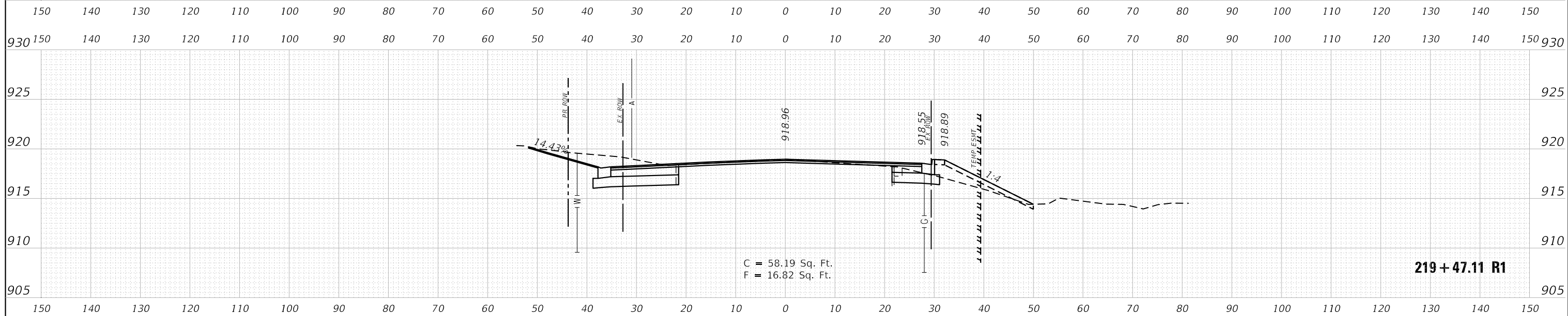
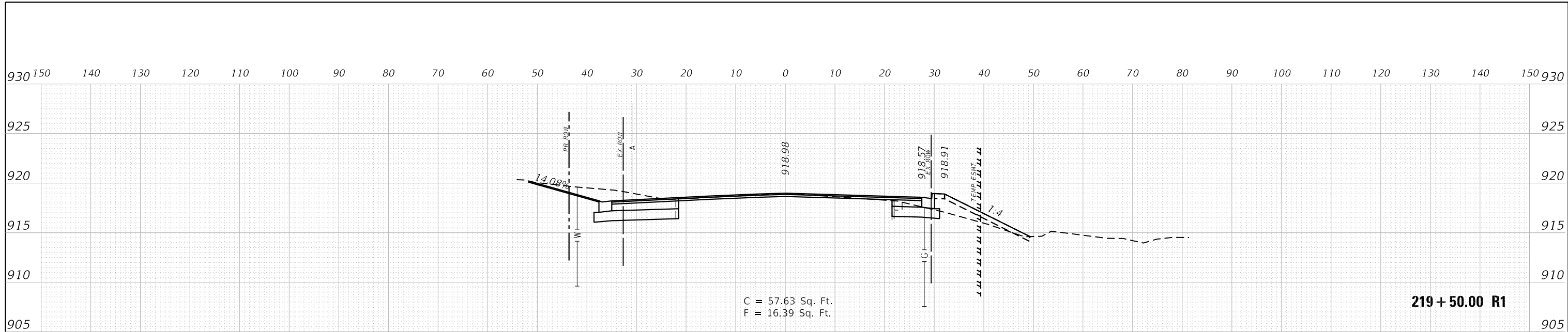


150 140 130 120 110 100 90 80 70 60 50 40 30 20 10 0 10 20 30 40 50 60 70 80 90 100 110 120 130 140 150

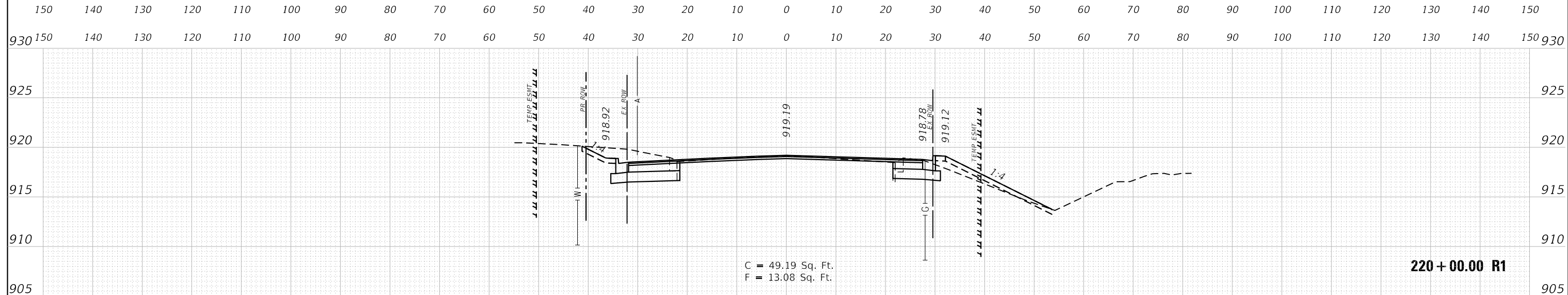
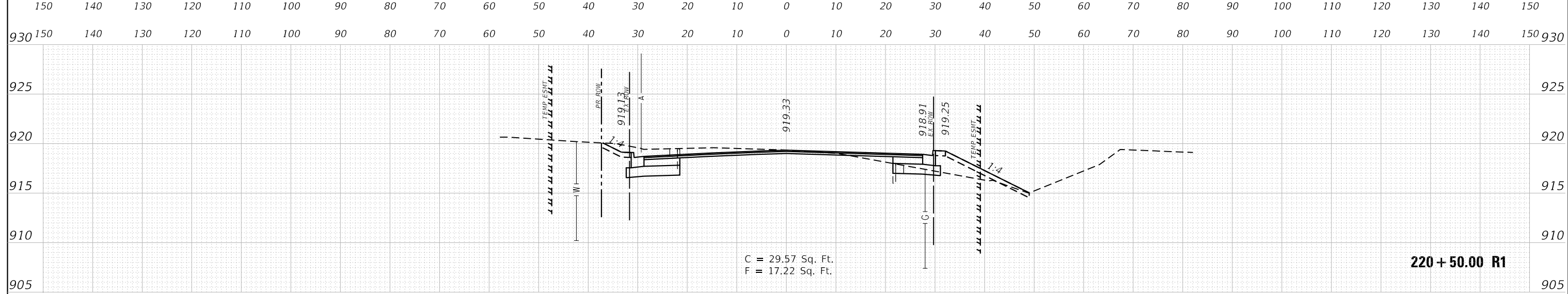
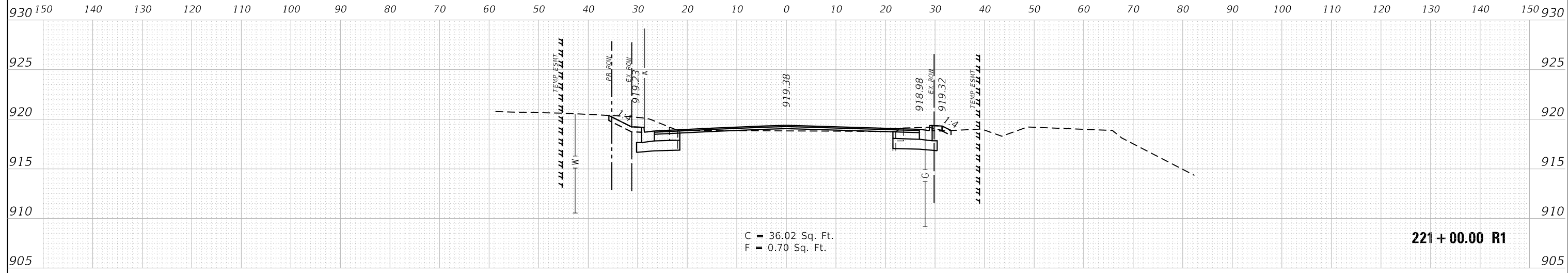
FILE NAME =	DESIGNED - KJD	REVISED -	<p>Alfred Benesch & Company 35 West Wacker Drive, Suite 3300 Chicago, Illinois 60601 312-865-0450 Job No. 10214</p>	STATE OF ILLINOIS DEPARTMENT OF TRANSPORTATION				CROSS SECTIONS MAIN STREET STA. 216 + 50 TO STA. 217 + 50				F.A.U. RTE. 116/124	SECTION 12-00116-00-CH	COUNTY MCHENRY	TOTAL SHEETS 208	SHEET NO. 203
USER NAME = jreambillo	DRAWN - RWK	REVISED -						SCALE: SHEET NO. OF SHEETS STA. TO STA.				CONTRACT NO. 61F58				
PLOT DATE = 5/27/2019	CHECKED - DFL	REVISED -						ILLINOIS FED. AID PROJECT								



FILE NAME =	DESIGNED - KJD	REVISED -	benesch <small>Alfred Benesch & Company 35 West Wacker Drive, Suite 3300 Chicago, Illinois 60601 312-865-0450 Job No. 10214</small>	STATE OF ILLINOIS DEPARTMENT OF TRANSPORTATION	CROSS SECTIONS MAIN STREET STA. 217 + 51.98 TO STA. 218 + 50	F.A.U. RTE. 116/124	SECTION 12-00116-00-CH	COUNTY MCHENRY	TOTAL SHEETS 208	SHEET NO. 204	
USER NAME = jreambillo	CHECKED - DFL	REVISED -		SCALE: SHEET NO. OF SHEETS STA. TO STA.			CONTRACT NO. 61F58				
PLOT DATE = 5/27/2019	DATE - 5/28/2019	REVISED -		ILLINOIS FED. AID PROJECT							



FILE NAME =	DESIGNED - KJD	REVISED -	Alfred Benesch & Company 35 West Wacker Drive, Suite 3300 Chicago, Illinois 60601 312-865-0450 Job No. 10214	STATE OF ILLINOIS DEPARTMENT OF TRANSPORTATION	CROSS SECTIONS MAIN STREET STA. 219 + 00 TO STA. 219 + 50	F.A.U. RTE. 116/124	SECTION 12-00116-00-CH	COUNTY MCHENRY	TOTAL SHEETS 208	SHEET NO. 205	
USER NAME = jreambillo	CHECKED - DFL	REVISED -		SCALE:	SHEET NO. OF SHEETS	STA. TO STA.	CONTRACT NO. 61F58				
PLOT DATE = 5/27/2019	DATE - 5/28/2019	REVISED -		ILLINOIS FED. AID PROJECT							



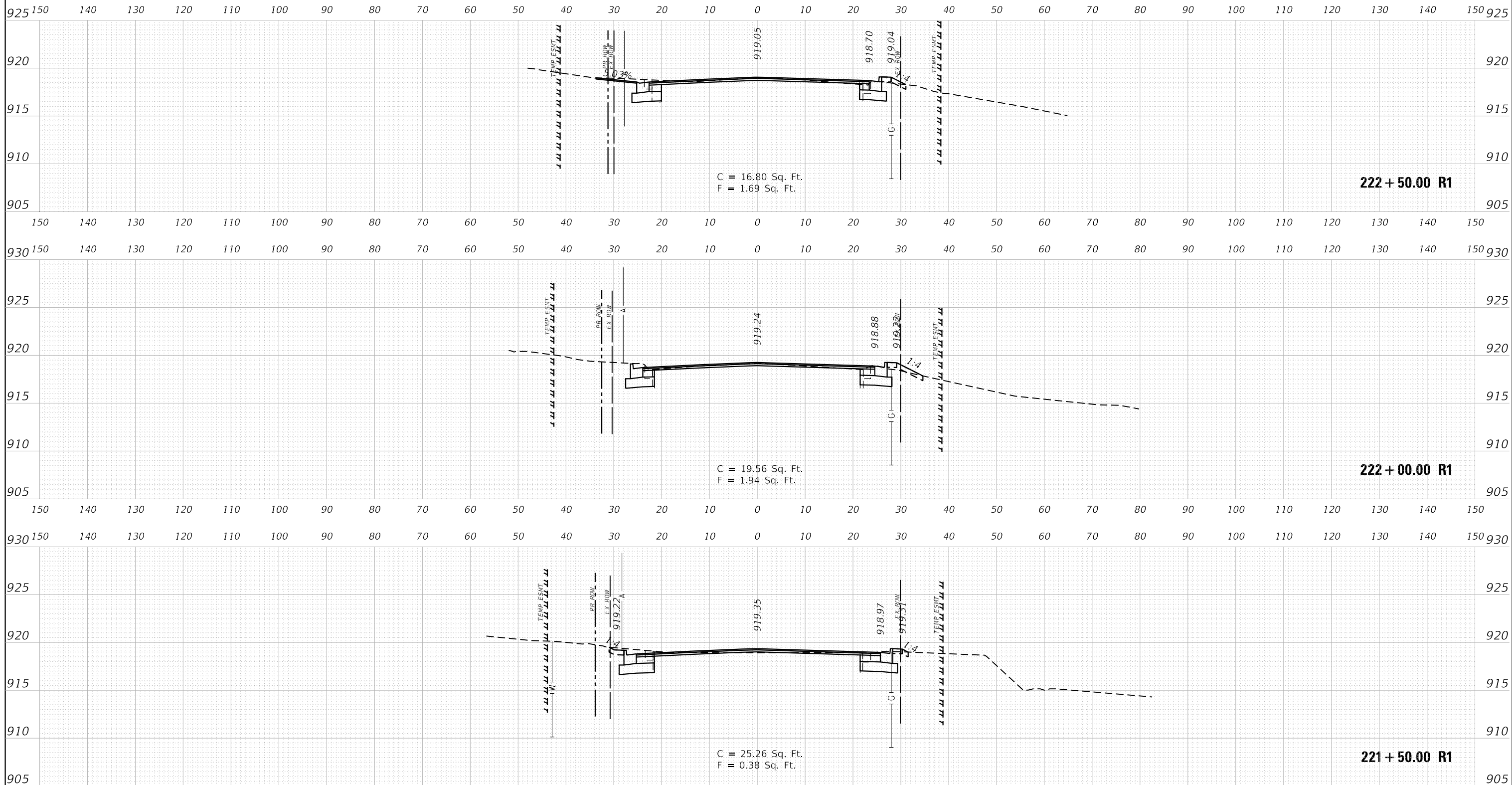
FILE NAME =	DESIGNED - KJD	REVISED -
	DRAWN - RWK	REVISED -
USER NAME = jreambillo	CHECKED - DFL	REVISED -
PLOT DATE = 5/27/2019	DATE - 5/28/2019	REVISED -



**STATE OF ILLINOIS
DEPARTMENT OF TRANSPORTATION**

CROSS SECTIONS MAIN STREET STA. 220+00 TO STA. 221+00			
SCALE:	SHEET NO.	OF SHEETS	STA. TO STA.

F.A.U. RTE.	SECTION	COUNTY	TOTAL SHEETS	SHEET NO.
116/124	12-00116-00-CH	MCHENRY	208	206
CONTRACT NO. 61F58			ILLINOIS FED. AID PROJECT	



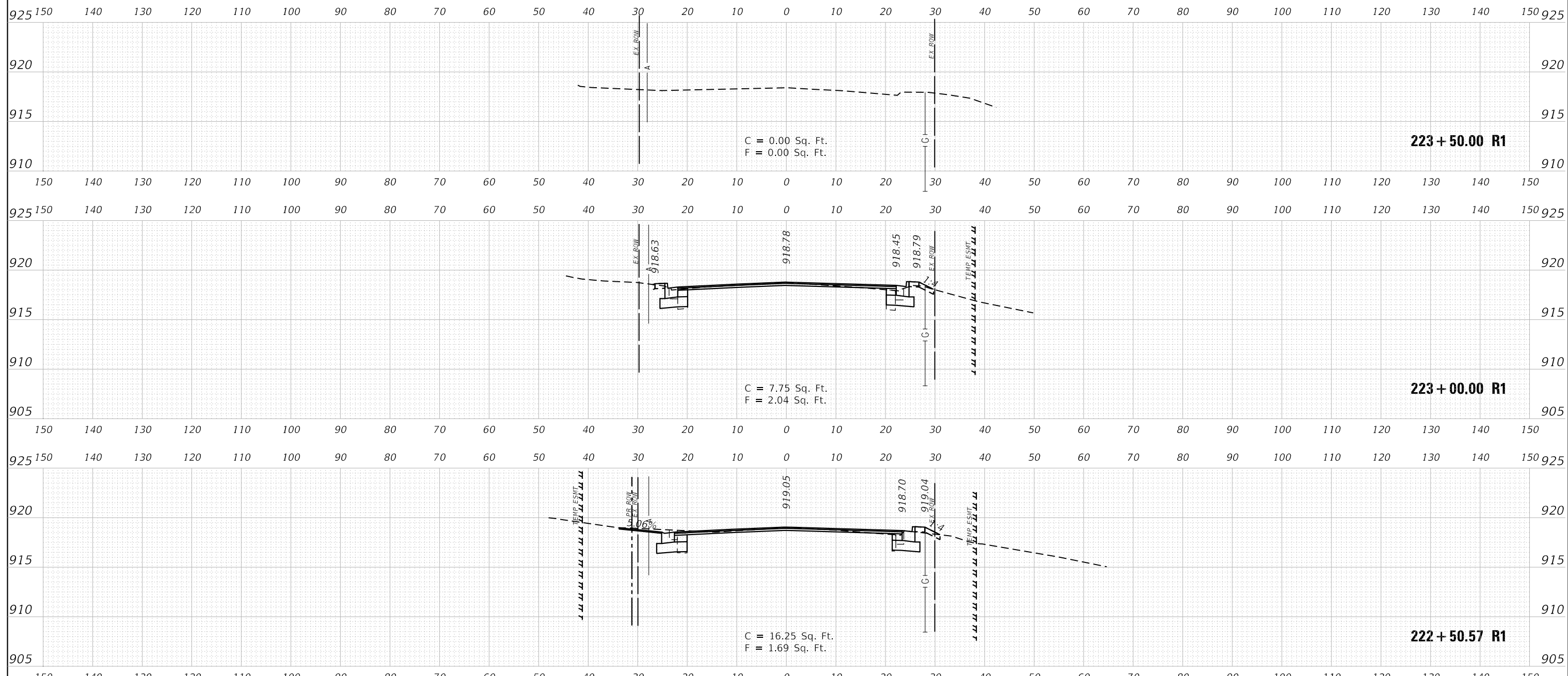
FILE NAME =	DESIGNED - KJD	REVISED -
	DRAWN - RWK	REVISED -
USER NAME = jreambillo	CHECKED - DFL	REVISED -
PLOT DATE = 5/27/2019	DATE - 5/28/2019	REVISED -



**STATE OF ILLINOIS
DEPARTMENT OF TRANSPORTATION**

CROSS SECTIONS MAIN STREET STA. 221 + 50 TO STA. 222 + 50			
SCALE:	SHEET NO.	OF SHEETS	STA. TO STA.

F.A.U. RTE.	SECTION	COUNTY	TOTAL SHEETS	SHEET NO.
116/124	12-00116-00-CH	MCHENRY	208	207
CONTRACT NO. 61F58			ILLINOIS FED. AID PROJECT	



FILE NAME =	DESIGNED - KJD	REVISED -
	DRAWN - RWK	REVISED -
USER NAME = jreambillo	CHECKED - DFL	REVISED -
PLOT DATE = 5/27/2019	DATE - 5/28/2019	REVISED -



**STATE OF ILLINOIS
DEPARTMENT OF TRANSPORTATION**

**CROSS SECTIONS MAIN STREET
STA. 222 + 50.57 TO STA. 223 + 50**

SCALE: SHEET NO. OF SHEETS STA. TO STA.

F.A.U. RTE. 116/124	SECTION 12-00116-00-CH	COUNTY MCHENRY	TOTAL SHEETS 208	SHEET NO. 208
CONTRACT NO. 61F58			ILLINOIS FED. AID PROJECT	