

STATE OF ILLINOIS
DEPARTMENT OF TRANSPORTATION

F.A.P. RTE.	SECTION	COUNTY	TOTAL SHEETS	SHEET NO.
785	(134,135)VBR-2	MADISON	22	1
		ILLINOIS	CONTRACT NO. 76M16	

D-98-021-19



LOCATION OF SECTION INDICATED THIS: -

PROPOSED HIGHWAY PLANS

FAP ROUTE 785 (IL 140)
SECTION: (134,135)VBR-2

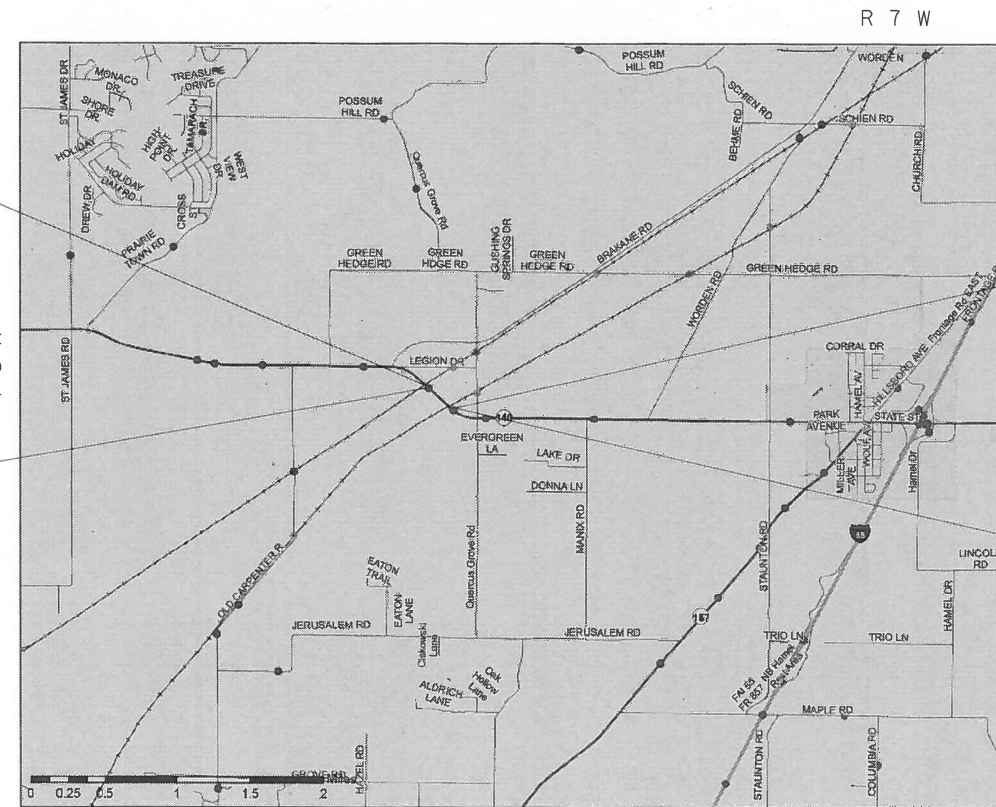
BRIDGE DECK WATERPROOFING,
JOINT & BEAM END REPAIR
MADISON COUNTY

C-98-026-19

FOR INDEX OF SHEETS, SEE SHEET NO. 2

TRAFFIC DATA

LOCATION	IL 140
2018 ADT	4350 (ACTUAL)
2038 ADT	5200 (ESTIMATED)
MU%	7.0
SU%	12.8



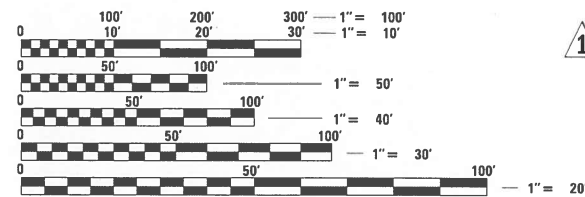
BEGIN PROJECT
STA. 683+26.90
LAT: 38.893171
LONG: -89.901538

SN 060-0226
IL 140 OVER UP RR
3.1 MI W OF I-55
STA. 685+55.90

SN 060-0227
IL 140 OVER NS RR
2.9 MI W OF I-55
STA. 697+38.02

END PROJECT
STA. 699+76.50
LAT: 38.890164
LONG: -89.897195

GROSS LENGTH = 1649.6 FT. = 0.31 MILE
NET LENGTH = 935 FT. = 0.17 MILE



FULL SIZE PLANS HAVE BEEN PREPARED USING STANDARD ENGINEERING SCALES. REDUCED SIZED PLANS WILL NOT CONFORM TO STANDARD SCALES. IN MAKING MEASUREMENTS ON REDUCED PLANS, THE ABOVE SCALES MAY BE USED.

J.U.L.I.E.
JOINT UTILITY LOCATION INFORMATION FOR EXCAVATION
1-800-892-0123
OR 811

PROJECT ENGINEER: TIM PADGETT (618) 346-3325
PROJECT MANAGER: RAHSHUN J MILLER (618) 346-3196

CONTRACT NO. 76M16

TOWNSHIP: HAMEL

REV. 9-12-2019

STATE OF ILLINOIS
DEPARTMENT OF TRANSPORTATION

SUBMITTED: *Dec 21, 2018*
Jeffrey Z. Kammer
REGIONAL ENGINEER

Aug 16, 2019
David C. [Signature]
ENGINEER OF DESIGN AND ENVIRONMENT

Aug 16, 2019
David C. [Signature]
DIRECTOR OF HIGHWAYS PROJECT IMPLEMENTATION

PRINTED BY THE AUTHORITY
OF THE STATE OF ILLINOIS

INDEX OF SHEETS

1	COVER SHEET
2	INDEX OF SHEETS, HIGHWAY STANDARDS, GENERAL NOTES, & COMMITMENTS
3-6	SUMMARY OF QUANTITIES
7	TYPICAL SECTIONS
8	SCHEDULE OF QUANTITIES
9	DETAILS AND WIDE LOAD SIGNING
10	STAGING DETAILS
11-22	STRUCTURE PLANS

HIGHWAY STANDARDS

000001-07	STANDARD SYMBOLS, ABBREVIATIONS AND PATTERNS
001001-02	AREAS OF REINFORCEMENT BARS
001006	DECIMAL OF AN INCH AND OF A FOOT
701006-05	OFF-RD OPERATIONS, 2L, 2W, 15' TO 24" FROM PAVEMENT EDGE
701201-05	LANE CLOSURE, 2L, 2W, DAY ONLY, FOR SPEEDS ≥ 45 MPH
701301-04	LANE CLOSURE, 2L, 2W, SHORT TIME OPERATIONS
701306-04	LANE CLOSURE, 2L, 2W, SLOW MOVING OPERATIONS DAY ONLY, FOR SPEEDS ≥ 45 MPH
701311-03	LANE CLOSURE, 2L, 2W, MOVING OPERATIONS - DAY ONLY
701321-17	LANE CLOSURE, 2L, 2W, BRIDGE REPAIR WITH BARRIER
701901-08	TRAFFIC CONTROL DEVICES
704001-08	TEMPORARY CONCRETE BARRIER
780001-05	TYPICAL PAVEMENT MARKINGS
781001-04	TYPICAL APPLICATIONS RAISED REFLECTIVE PAVEMENT MARKERS
782006	GUARDRAIL AND BARRIER WALL REFLECTOR MOUNTING DETAILS

GENERAL NOTES

ROADWAY

- 1 ILLINOIS STATE LAW REQUIRES A 48-HOUR NOTICE BE GIVEN TO UTILITIES BEFORE DIGGING. FIELD MARKING OF FACILITIES MAY BE OBTAINED BY CONTACTING J.U.L.I.E. OR FOR NON-MEMBERS, THE UTILITY COMPANY DIRECTLY. AGENCIES KNOWN TO HAVE FACILITIES WITHIN THE PROJECT AREA ARE AS FOLLOWS:

UTILITY	TYPE	ABOVE GROUND	BELOW GROUND
*AMEREN ILLINOIS	GAS & ELECTRIC	X	X
*AT&T ILLINOIS	COMMUNICATIONS	X	X
*MARATHON PIPE LINE LLC	PIPELINE		X
*NORTHEAST CENTRAL COUNTY PUBLIC WATER DISTRICT	WATER		X
*SOUTHWESTERN ELECTRIC COOPERATIVE, INC.	ELECTRIC	X	X

MEMBERS OF J.U.L.I.E. CALL TOLL FREE (800) 892-0123 OR 811 AND ARE INDICATED BY *. NON-J.U.L.I.E. MEMBERS MUST BE NOTIFIED INDIVIDUALLY.

- 2 THE DEPARTMENT STRONGLY ENCOURAGES THE PRIME CONTRACTOR AND THEIR APPROVED SUB-CONTRACTORS TO HIRE MINORITY, WOMEN AND DISADVANTAGED INDIVIDUALS FROM ITS FEDERALLY FUNDED HIGHWAY CONSTRUCTION CAREERS TRAINING PROGRAM (HCCTP) TO HELP MEET WORKFORCE AND TRAINEE GOALS. THIS PROGRAM IS TRAINING MINORITIES, WOMEN AND DISADVANTAGED INDIVIDUALS IN HIGHWAY CONSTRUCTION-RELATED SKILLS, E.G., MATH FOR THE TRADES, JOB READINESS, TECHNICAL SKILLS COURSEWORK (CARPENTRY, CONCRETE FLATWORK, BLUEPRINT READING, SITE PLANS, SITE WORK, TOOLS USE, ETC.) AND OSHA 10 HOUR CERTIFICATION, TO PREPARE THEM FOR A CAREER IN THE HIGHWAY CONSTRUCTION TRADES. GRADUATES ARE WELL-TRAINED AND READY TO BECOME PRODUCTIVE ENTRY-LEVEL CONSTRUCTION WORKERS. CONTACT THE DISTRICT 8 EEO OFFICE AT 618-346-3360 AND/OR THE HCCTP COORDINATOR AT 618-874-6528 TO LEARN MORE ABOUT THE PROGRAM AND FOR ASSISTANCE IN MEETING WORKFORCE AND TRAINEE GOALS.
- 3 THE CONTRACTOR AND THE ENGINEER SHALL BE AWARE THAT NO SURVEY WAS PERFORMED FOR THIS PROJECT. THE STATIONING, TOPOGRAPHY, AND QUANTITIES SHOWN IN THE PLANS WERE CREATED USING MICROFILM AND FIELD MEASUREMENTS. ALL SHALL BE ASSUMED TO BE APPROXIMATE. THE CONTRACTOR SHALL VERIFY DIMENSIONS AND CONDITIONS IN THE FIELD PRIOR TO CONSTRUCTION AND ORDERING OF MATERIALS.

- 4 SHOULDER MILLING AND RESURFACING OPERATIONS SHALL EXTEND TO 1' AWAY FROM THE FACE OF THE EXISTING GUARDRAIL, OR AS APPROVED BY THE ENGINEER.
- 5 TWO CHANGEABLE MESSAGE BOARDS SHALL BE REQUIRED FOR THIS PROJECT. THEY SHALL BE PLACED TWO WEEKS PRIOR TO ANY LANE CLOSURE. THE CHANGEABLE MESSAGE BOARDS SHALL BE PLACED AS DIRECTED BY THE ENGINEER.
- 6 A QUANTITY OF 1175 FEET OF TEMPORARY PAVEMENT MARKING LINE-6" YELLOW HAS BEEN INCLUDED IN THE PLANS FOR PAINTING THE BOTTOM 6" OF THE TEMPORARY CONCRETE BARRIER.
- 7 PROPOSED PAVEMENT MARKING SHALL MATCH EXISTING LOCATIONS, AS DIRECTED BY THE ENGINEER.
- 8 THE FOLLOWING MIXTURE REQUIREMENTS ARE APPLICABLE FOR THIS PROJECT.

MIXTURE USE	POLY SURFACE	SHOULDER ≥ 2.25"	SHOULDER ≤ 2.25"
AC/PG	SBS 76-22	PG 64-22	PG 64-22
RAP % (MAX)	SEE SPECIAL PROVISION	SEE SPECIAL PROVISION	SEE SPECIAL PROVISION
DESIGN AIR VOIDS	4.0% @ Ndes=70	4.0% @ Ndes=30	4.0% @ Ndes=30
MIX COMPOSITION (Gradation)	IL 19.5	IL 19.0L	IL 9.5L
FRICTION AGG	MIXTURE "D"		
QUALITY MGMT PROGRAM	QC/QA	QC/QA	QC/QA

PLAN QUANTITIES FOR HMA SURFACE COURSE ITEMS ARE CALCULATED USING A UNIT WEIGHT OF 112 LB/SQ YD/IN (59.8 KG/SQ M/25 MM THICKNESS).

9 HMA SURFACE REMOVAL, VARIABLE DEPTH WILL BE ESTABLISHED BY THE ENGINEER.



COMMITMENTS

NONE

REV. 9-12-2019

MODEL: Default
FILE NAME: P:\1108\BAREID\NTEC\Illinois.gov\PWIDOT\Documents\DOT_Offices\District 8\Projects\0876M18\CADD\DATA\CAD\Sheet\0876M18-shr-gen-note.dgn

USER NAME = millerraj	DESIGNED -	REVISED -
	DRAWN -	REVISED -
PLOT SCALE = 100.0000' / in.	CHECKED -	REVISED -
PLOT DATE = 1/7/2019	DATE -	REVISED -

STATE OF ILLINOIS
DEPARTMENT OF TRANSPORTATION

INDEX OF SHEETS, HIGHWAY STANDARDS,
GENERAL NOTES, & COMMITMENTS

SCALE: SHEET 1 OF 1 SHEETS STA. TO STA.

F.A.P. RTE.	SECTION	COUNTY	TOTAL SHEETS	SHEET NO.
785	(134,135)VBR-2	MADISON	22	2
CONTRACT NO. 76M16				
ILLINOIS FED. AID PROJECT				

CODE NO.	ITEM	UNIT	100% STATE		
			TOTAL QUANTITY	CONSTRUCTION CODE	
				BRIDGE	BRIDGE
				0047	0047
			060-0226	060-0227	
40600295	POLYMERIZED BITUMINOUS MATERIALS (TACK COAT)	POUND	1385	686	699
40600982	HOT-MIX ASPHALT SURFACE REMOVAL - BUTT JOINT	SQ YD	142	71	71
40600990	TEMPORARY RAMPS	SQ YD	190	95	95
40603540	POLYMERIZED HOT-MIX ASPHALT SURFACE COURSE, MIX "D", N70	TON	271	133.4	137.6
44004250	PAVED SHOULDER REMOVAL	SQ YD	2	0	2
45200300	JOINT OR CRACK FILLING	POUND	48	24	24
48203029	HOT-MIX ASPHALT SHOULDERS, 8"	SQ YD	2	0	2
48203100	HOT-MIX ASPHALT SHOULDERS	TON	80	40	40
50102400	CONCRETE REMOVAL	CU YD	15.4	7.5	7.9
50300100	FLOOR DRAINS	EACH	4	2	2
50300255	CONCRETE SUPERSTRUCTURE	CU YD	28.8	13.8	15
50606701	CLEANING AND PAINTING STRUCTURAL STEEL, LOCATION1	L SUM	1	1	0
50606702	CLEANING AND PAINTING STRUCTURAL STEEL, LOCATION2	L SUM	1	0	1
50800205	REINFORCEMENT BARS, EPOXY COATED	POUND	2900	1430	1470
50800515	BAR SPLICERS	EACH	30	15	15
52000110	PREFORMED JOINT STRIP SEAL	FOOT	78	38.5	39.5



△ REV. 9-12-2019

REV. - MS

MODEL: Default
FILE NAME: p:\11084848\NTEG\Illinois.gov\PWIDOT\Documents\DOT Office\District B\Projects\076M16\CADData\CADsheets\076M16-sh-500.dgn

USER NAME = millerraj	DESIGNED -	REVISED -
	DRAWN -	REVISED -
PLOT SCALE = 100.0000 ' / in.	CHECKED -	REVISED -
PLOT DATE = 12/20/2018	DATE -	REVISED -

**STATE OF ILLINOIS
DEPARTMENT OF TRANSPORTATION**

SUMMARY OF QUANTITIES

SCALE: SHEET 1 OF 3 SHEETS STA. TO STA.

F.A.P. RTE.	SECTION	COUNTY	TOTAL SHEETS	SHEET NO.
785	(134.135)VBR-2	MADISON	22	3
			CONTRACT NO. 76M16	
ILLINOIS FED. AID PROJECT				

MODEL: Default
 FILE NAME: \\IL084EBID\INTEG\Illinois.gov\PWIDOT\Documents\DOT Offices\District B\Projects\0876M16\CADData\CADsheets\0876M16-sh-500.dgn

CODE NO.	ITEM	UNIT	TOTAL QUANTITY	CONSTRUCTION CODE	
				BRIDGE	BRIDGE
				0047	0047
				060-0226	060-0227
58100200	WATERPROOFING MEMBRANE SYSTEM	SQ YD	466	204	262
58700300	CONCRETE SEALER	SQ FT	845	418	427
60300105	FRAMES AND GRATES TO BE ADJUSTED	EACH	3	2	1
64200108	SHOULDER RUMBLE STRIPS, 8 INCH	FOOT	1600	800	800
67000400	ENGINEER'S FIELD OFFICE, TYPE A	CAL MO	4	2	2
67100100	MOBILIZATION	L SUM	1	0.4	0.6
70100450	TRAFFIC CONTROL AND PROTECTION, STANDARD 701201	L SUM	1	0.4	0.6
70100460	TRAFFIC CONTROL AND PROTECTION, STANDARD 701306	L SUM	1	0.4	0.6
70106500	TEMPORARY BRIDGE TRAFFIC SIGNALS	EACH	1	0.5	0.5
70106700	TEMPORARY RUMBLE STRIPS	EACH	6	3	3
70107005	PAVEMENT MARKING BLACKOUT TAPE, 5"	FOOT	4054	2115	1939
70107025	CHANGEABLE MESSAGE SIGN	CAL DA	268	134	134
70300100	SHORT TERM PAVEMENT MARKING	FOOT	262	128	134
70300150	SHORT TERM PAVEMENT MARKING REMOVAL	SQ FT	88	44	44



REV. 9-12-2019

REV. - MS

USER NAME = millerraj	DESIGNED -	REVISED -
	DRAWN -	REVISED -
PLOT SCALE = 100.0000' / in.	CHECKED -	REVISED -
PLOT DATE = 12/20/2018	DATE -	REVISED -

**STATE OF ILLINOIS
DEPARTMENT OF TRANSPORTATION**

SUMMARY OF QUANTITIES

SCALE: SHEET 2 OF 3 SHEETS STA. TO STA.

F.A.P. RTE.	SECTION	COUNTY	TOTAL SHEETS	SHEET NO.
785	(134.135)VBR-2	MADISON	22	4
				CONTRACT NO. 76M16
ILLINOIS FED. AID PROJECT				

MODEL: Default
 FILE NAME: P:\11108\BID\NTEC\Illinois.gov\PWD\DOT\Documents\DOT_Offices\District 8\Projects\0876M16\CAD\data\CAD\sheet\0876M16-sh-500.dgn

CODE NO.	ITEM	UNIT	100% STATE			
			TOTAL QUANTITY	CONSTRUCTION CODE		
				BRIDGE	BRIDGE	
				0047	0047	
			060-0226	060-0227		
70300220	TEMPORARY PAVEMENT MARKING - LINE 4"	FOOT	3740	1832	1908	⚠
70300240	TEMPORARY PAVEMENT MARKING - LINE 6"	FOOT	1175	575	600	
70400100	TEMPORARY CONCRETE BARRIER	FOOT	587.5	287.5	300	
70400200	RELOCATE TEMPORARY CONCRETE BARRIER	FOOT	587.5	287.5	300	
70600250	IMPACT ATTENUATORS, TEMPORARY (NON- REDIRECTIVE), TEST LEVEL 3	EACH	4	2	2	
70600352	IMPACT ATTENUATORS, RELOCATE (NON- REDIRECTIVE,NARROW), TEST LEVEL 3	EACH	4	2	2	
* 78003110	PREFORMED PLASTIC PAVEMENT MARKING, TYPE B - LINE4"	FOOT	3740	1832	1908	⚠
* 78100100	RAISED REFLECTIVE PAVEMENT MARKER	EACH	12	6	6	
78300200	RAISED REFLECTIVE PAVEMENT MARKER REMOVAL	EACH	12	6	6	
X0327980	PAVEMENT MARKING REMOVAL - WATER BLASTING	SQ FT	181	77	104	
X4401198	HOT-MIX ASPHALT SURFACE REMOVAL, VARIABLE DEPTH	SQ YD	2844	1422	1422	⚠
X5870015	BRIDGE DECK CONCRETE SEALER	SQ FT	1582	724	858	⚠
X7010202	TRAFFIC CONTROL AND PROTECTION, STANDARD 701321 (SPECIAL)	EACH	1	0.5	0.5	
X7030005	TEMPORARY PAVEMENT MARKING REMOVAL	SQ FT	1247	610.7	636.3	⚠
X7200200	WIDE LOAD SIGNING	L SUM	1	0.4	0.6	
* X7830070	GROOVING FOR RECESSED PAVEMENT MARKING 5"	FOOT	3740	1832	1908	⚠

* SPECIALTY ITEM

⚠ REV. 9-12-2019

REV. - MS

USER NAME = millerraj	DESIGNED -	REVISED -
	DRAWN -	REVISED -
PLOT SCALE = 100.0000' / in.	CHECKED -	REVISED -
PLOT DATE = 12/20/2018	DATE -	REVISED -

**STATE OF ILLINOIS
 DEPARTMENT OF TRANSPORTATION**

SUMMARY OF QUANTITIES

SCALE: SHEET 3 OF 3 SHEETS STA. TO STA.

F.A.P. RTE.	SECTION	COUNTY	TOTAL SHEETS	SHEET NO.
785	(134.135)VBR-2	MADISON	22	5
CONTRACT NO. 76M16			ILLINOIS FED. AID PROJECT	

MODEL: Default
 FILE NAME: P:\1108\BEBID\NTEC\Illinois.gov\PIWDOT\Documents\DOT_Offices\District 8\Projects\0876M16\CAD\Drawings\0876M16-shc-500.dgn

CODE NO.	ITEM	UNIT	TOTAL QUANTITY	CONSTRUCTION CODE	
				100% STATE	
				BRIDGE	BRIDGE
				0047	0047
				060-0226	060-0227
Z0001903	STRUCTURAL STEEL REMOVAL	POUND	2630	1330	1300
Z0007101	CONTAINMENT AND DISPOSAL OF LEAD PAINT CLEANING RESIDUESNO. 1	L SUM	1	1	0
Z0007102	CONTAINMENT AND DISPOSAL OF LEAD PAINT CLEANING RESIDUESNO. 2	L SUM	1	0	1
Z0016200	DECK SLAB REPAIR (PARTIAL)	SQ YD	52	10	42
Z0033700	LONGITUDINAL JOINT SEALANT	FOOT	931	457	474
Z0048665	RAILROAD PROTECTIVE LIABILITY INSURANCE	L SUM	1	0.5	0.5



△ REV. 9-12-2019

REV. - MS

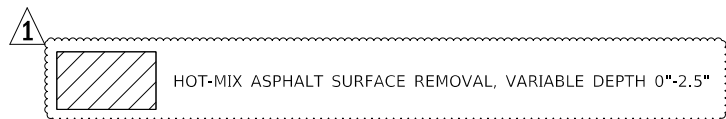
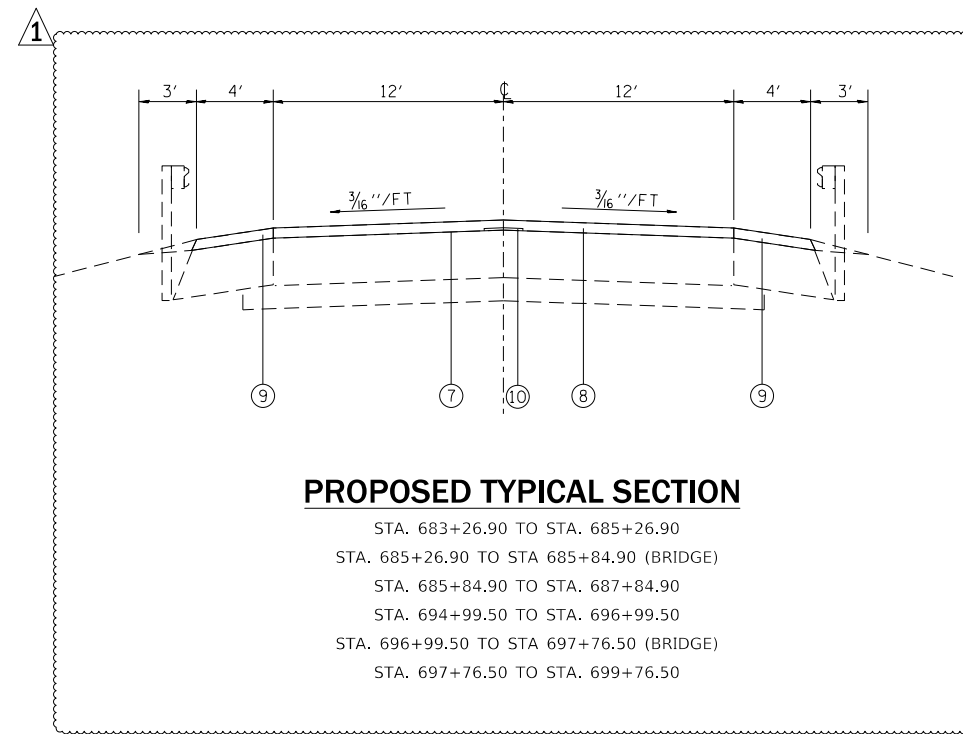
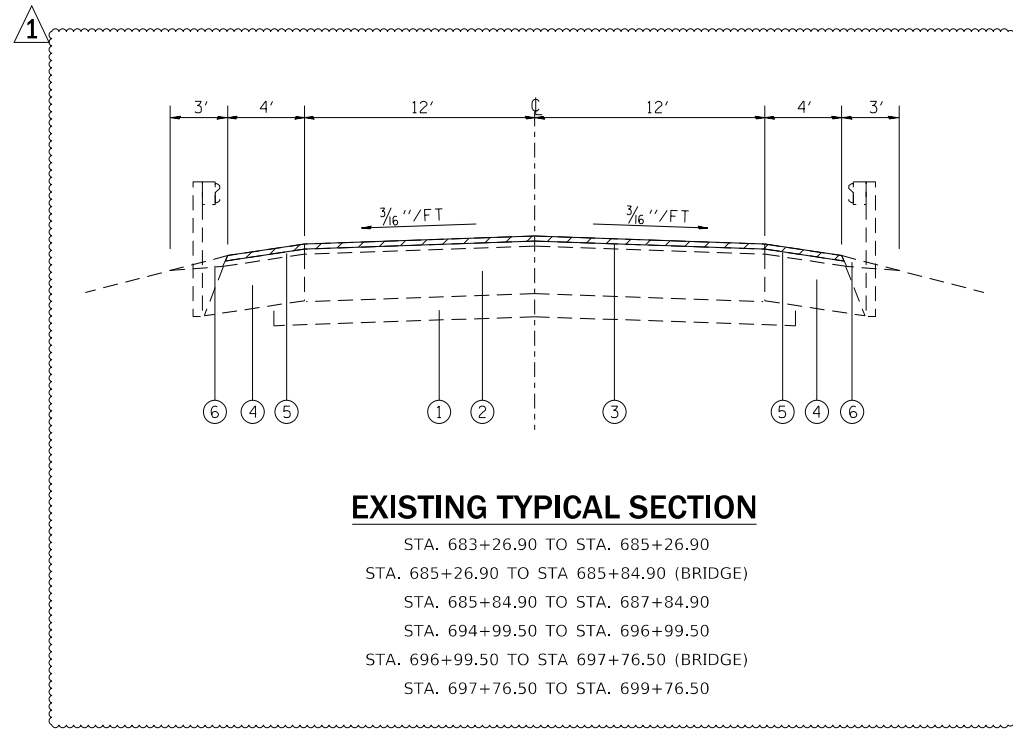
USER NAME = millerraj	DESIGNED -	REVISED -
	DRAWN -	REVISED -
PLOT SCALE = 100.0000 ' / in.	CHECKED -	REVISED -
PLOT DATE = 12/20/2018	DATE -	REVISED -

**STATE OF ILLINOIS
 DEPARTMENT OF TRANSPORTATION**

SUMMARY OF QUANTITIES

SCALE: SHEET 3 OF 3 SHEETS STA. TO STA.

F.A.P. RTE.	SECTION	COUNTY	TOTAL SHEETS	SHEET NO.
785	(134,135)VBR-2	MADISON	22	6
CONTRACT NO. 76M16			ILLINOIS FED. AID PROJECT	



LEGEND

- ① EXISTING STABILIZED SUB-BASE, 4"
- ② EXISTING JOINTED PCC PAVEMENT (7-3/4")
- ③ EXISTING HMA SURFACE COURSE (2-1/2")
- ④ EXISTING HMA SHOULDERS (8")
- ⑤ EXISTING HMA SHOULDERS (2")
- ⑥ EXISTING AGGREGATE SHOULDER WEDGE
- ⑦ PROPOSED POLYMERIZED BITUMINOUS MATERIAL (TACK COAT)
- ⑧ PROPOSED POLYMERIZED HMA SURFACE COURSE, MIX D, N70 2"
- ⑨ PROPOSED HOT-MIX ASPHALT SHOULDERS 2"
- ⑩ PROPOSED LONGITUDINAL JOINT SEALANT

REV. 9-12-2019

MODEL: Default
 FILE: \\nrcs-pis\pub\lansom.dia\illinois.gov\PIWDOT\Documents\DOT_Offices\District 8\Projects\ID776M16\CADD\Drawings\CD\Drawings\ID776M16-shc-syplal.dgn

USER NAME = millerraj	DESIGNED -	REVISED - 09/11/2019 R.J.M.
	DRAWN -	REVISED -
PLOT SCALE = 100,0000' / in.	CHECKED -	REVISED -
PLOT DATE = 9/12/2019	DATE -	REVISED -

**STATE OF ILLINOIS
DEPARTMENT OF TRANSPORTATION**

TYPICAL SECTIONS			
SCALE: NTS	SHEET 1	OF 1 SHEETS	STA. TO STA.

F.A.P. RTE.	SECTION	COUNTY	TOTAL SHEETS	SHEET NO.
785	(134,135)VBR-2	MADISON	22	7
CONTRACT NO. 76M16				
ILLINOIS FED. AID PROJECT				

1

PAVEMENT MARKING SCHEDULE																	
LOCATION	LENGTH	PERFORMED PLASTIC PAVEMENT MARKINGS, TYPE B, LINE 4"				GROOVING FOR RECESSED PAVEMENT MARKING 5"	SHORT TERM PAVEMENT MARKING		SHORT TERM PAVEMENT MARKING REMOVAL		TEMPORARY PAVEMENT MARKING LINE - 4"		TEMPORARY PAVEMENT MARKING REMOVAL		RAISED REFLECTIVE PAVEMENT MARKERS (TWO-WAY)		PAVEMENT MARKING REMOVAL - WATERBLASTING
		WHITE		YELLOW			FOOT		SQFT		FOOT		SQFT		EACH		
		FOOT	FOOT	FOOT	FOOT		EB	WB	EB	WB	EB	WB	EB/WB	AMBER	REMOVAL	EB/WB	
		FOOT	EB	WB	EB		WB	FOOT	EB	WB	EB	WB	EB	WB	EB/WB	AMBER	
SN 060-0226		458	458.0	458.0	458.0	1832.0	64.1	64.1	21.5	21.5	916.0	916.0	610.7	6.0	6.0	77.3	
SN 060-0227		477	477.0	477.0	477.0	1908.0	66.8	66.8	22.5	22.5	954.0	954.0	636.0	6.0	6.0	104.0	
SUB-TOTAL		935	935	935	935	3740	131	131	44	44	1870	1870		12	12		
TOTAL					3740	3740		262		88		3,740	1,247		12	12	181

STAGING SCHEDULE									
LOCATION	TOTAL LENGTH	TEMPORARY CONCRETE BARRIER	RELOCATE TEMPORARY CONCRETE BARRIER	IMPACT ATTENUATORS, TEMPORARY (NON-REDIRECTIVE), TEST LEVEL 3	IMPACT ATTENUATORS, RELOCATE (NON-REDIRECTIVE), TEST LEVEL 3	TEMPORARY RUMBLE STRIPS	TEMPORARY BRIDGE TRAFFIC SIGNALS	BLACKOUT TAPE 5"	SHORT TERM PAVEMENT MARKING REMOVAL
	FOOT	FOOT	FOOT	EACH	EACH	EACH	EACH	FOOT	SQFT
IL 140 OVER UP RR 060-0226									
STAGE I	551	287.5		2		3	0.5	2115	881.3
STAGE II	551		287.5		2				
IL 140 OVER N&W RR 060-0227									
STAGE I	567	300		2		3	0.5	1939	807.9
STAGE II	567		300		2				
TOTAL		587.5	587.5	4	4	6	1	4054	1689

1

RESURFACING SCHEDULE										
STATION	LENGTH	ROADWAY WIDTH	*POLYMERIZED HOT-MIX ASPHALT SURFACE COURSE, MIX "D", N70	HOT-MIX ASPHALT SURFACE REMOVAL - BUTT JOINT	**POLYMERIZED BITUMINOUS MATERIAL (TACK COAT)	HMA SHOULDER 8"	PAVED SHOULDER REMOVAL	HMA SHOULDERS (2")	SHOULDER RUMBLE STRIPS 8"	HOT-MIX ASPHALT SURFACE REMOVAL, VARIABLE DEPTH (0"-2.5")
			TON	SQ YD	POUND	SQ YD	SQ YD	TON	FOOT	SQ YD
SN 060-0226			14.0		46.0					
683+26.90 TO 685+26.90	200.0	32.0	59.7	35.6	320.0			19.9	400.0	711.1
685+84.90 TO 687+84.90	200.0	32.0	59.7	35.6	320.0			19.9	400.0	711.1
SN 060-0227			18.0		59.0					
694+99.50 TO 696+99.50	200.0	32.0	59.7	35.6	320.0			19.9	400.0	711.1
697+76.50 TO 699+76.50	200.0	32.0	59.7	35.6	320.0			19.9	400.0	711.1
697+90						2.0	2.0			
TOTAL			271	142	1385	2	2	80	1600	2844

NOTE: *AN ADDITIONAL QUANTITY OF 32 TONS HAS BEEN ADDED TO THIS ITEM FROM BRIDGE QUANTITIES SN 060-0226=14 TONS, SN 060-0227=18 TONS.
 **AN ADDITIONAL QUANTITY OF 105 POUNDS HAS BEEN ADDED TO THIS ITEM FROM BRIDGE QUANTITIES SN 060-0226=46 POUNDS, SN 060-0227=59 POUNDS.

REV. 9-12-2019

MODEL: Default
 FILE: \\nrcs-pc1\pub\lhamon.dwg
 PROJECT: ILLINOIS STATE ROADWAY IMPROVEMENTS
 OFFICE: DISTRICT 8
 SHEET: 76M16-SC-SCHEDULE.dgn

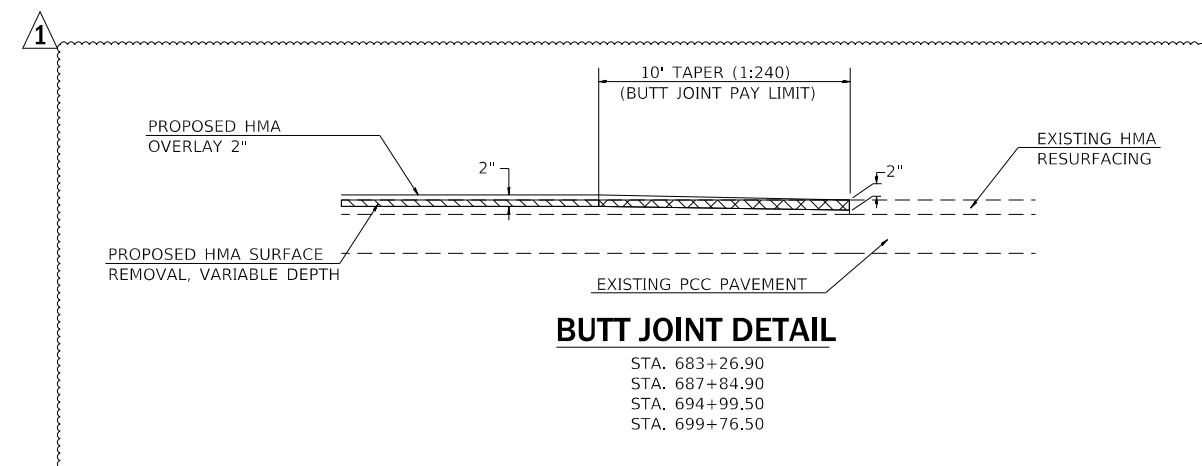
USER NAME = millerraj	DESIGNED -	REVISED -	09/11/2019 R.J.M.
	DRAWN -	REVISED -	
PLOT SCALE = 100.0000' / in.	CHECKED -	REVISED -	
PLOT DATE = 9/11/2019	DATE -	REVISED -	

STATE OF ILLINOIS
 DEPARTMENT OF TRANSPORTATION

SCHEDULES OF QUANTITIES

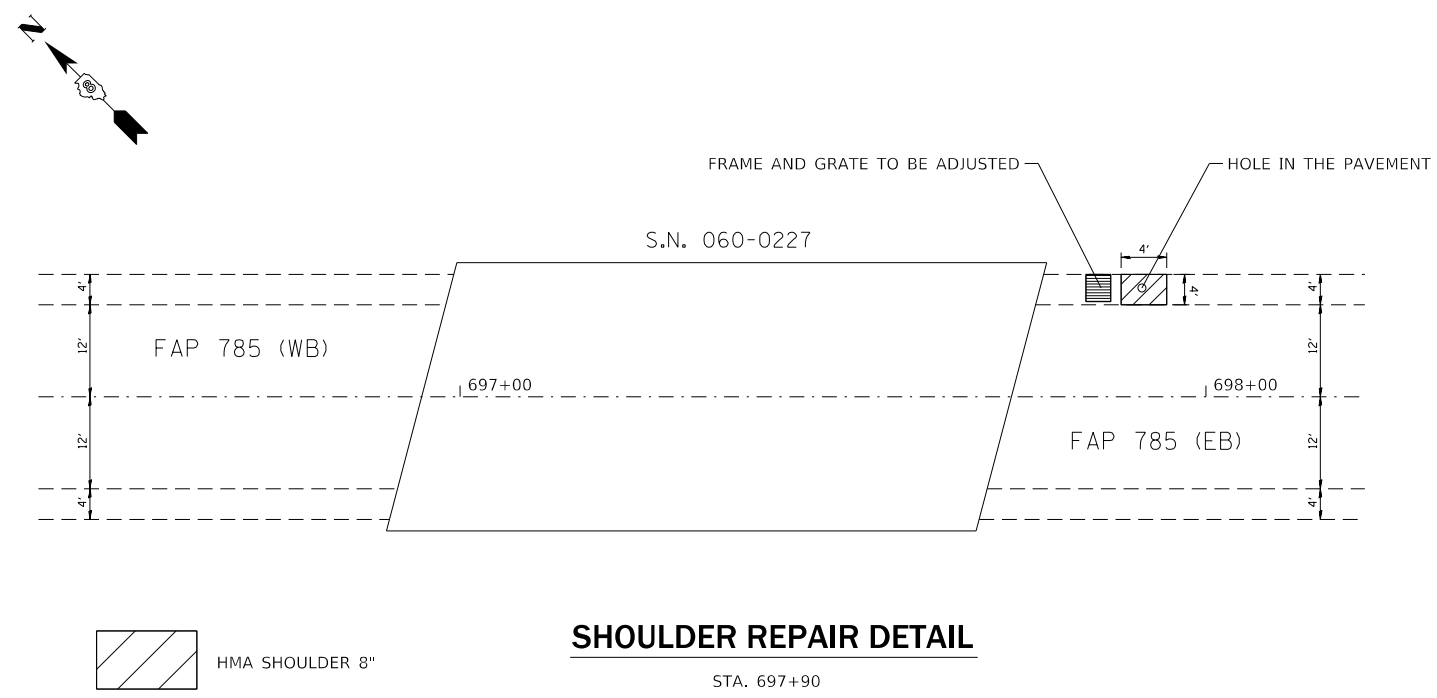
SCALE: SHEET 1 OF 1 SHEETS STA. TO STA.

F.A.P. RTE.	SECTION	COUNTY	TOTAL SHEETS	SHEET NO.
785	(134,135)VBR-2	MADISON	22	8
CONTRACT NO. 76M16				
ILLINOIS FED. AID PROJECT				



BUTT JOINT DETAIL

STA. 683+26.90
STA. 687+84.90
STA. 694+99.50
STA. 699+76.50



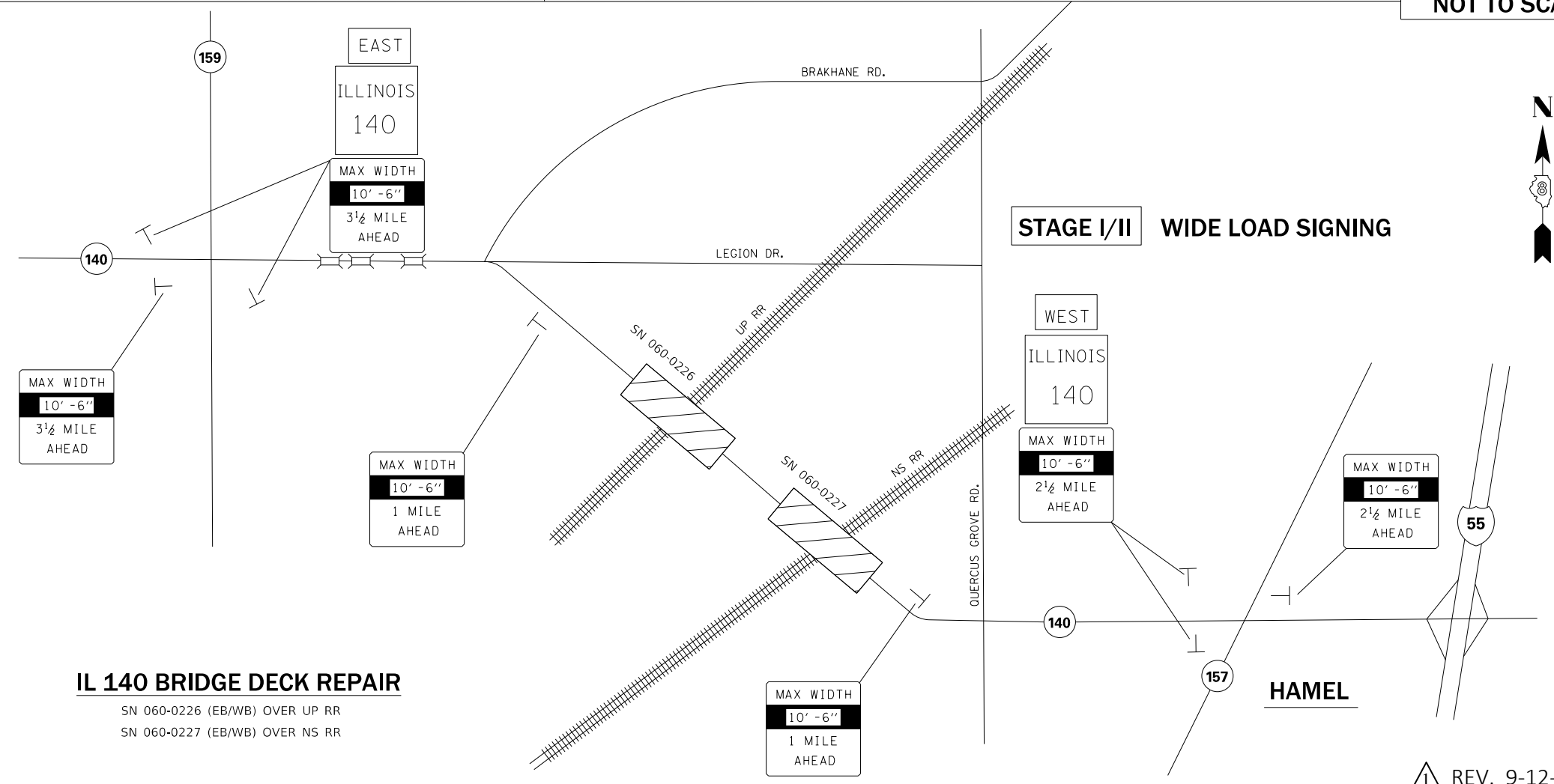
SHOULDER REPAIR DETAIL

STA. 697+90

NOTE: HOLE IN SHOULDER NEEDS TO BE REPAIRED BEFORE STAGING

NOT TO SCALE

- NOTES**
- SIGN SPACING FROM INTERSECTIONS SHALL BE 400' OR TO FIT FIELD CONDITIONS PER R.E..
 - THE HEIGHT TO THE BOTTOM OF THE LOWEST SIGN SHALL NOT BE LESS THAN 6'.



IL 140 BRIDGE DECK REPAIR

SN 060-0226 (EB/WB) OVER UP RR
SN 060-0227 (EB/WB) OVER NS RR

SIGNS REQUIRED

MAX WIDTH 10' - 6"	(2)	EAST	(2)
1 MILE AHEAD			
MAX WIDTH 10' - 6"	(3)	WEST	(2)
2 1/2 MILE AHEAD			
MAX WIDTH 10' - 6"	(3)	ILLINOIS 140	(4)
3 1/4 MILE AHEAD			

REV. 9-12-2019

MODEL: Default FILE: h:\mfc\p\planningroom\dat\illinois.gov\PIVIDOT\Documents\IDOT_Offices\IDOT\Projects\0676M18\CADDData\CADDsheets\0676M18-shc-set\table.dgn

USER NAME = millerraj	DESIGNED -	REVISED - 09/11/2019 R.J.M.	STATE OF ILLINOIS DEPARTMENT OF TRANSPORTATION	DETAILS AND WIDE LOAD SIGNING		F.A.P. RTE. 785	SECTION (134,135)VBR-2	COUNTY MADISON	TOTAL SHEETS 22	SHEET NO. 9	
PLOT SCALE = 100,0000 ' / in.	DRAWN -	REVISED -		SCALE: NTS	SHEET 1 OF 1 SHEETS	STA. TO STA.	CONTRACT NO. 76M16		ILLINOIS	FED. AID PROJECT	
PLOT DATE = 9/11/2019	CHECKED -	REVISED -									
	DATE -	REVISED -									