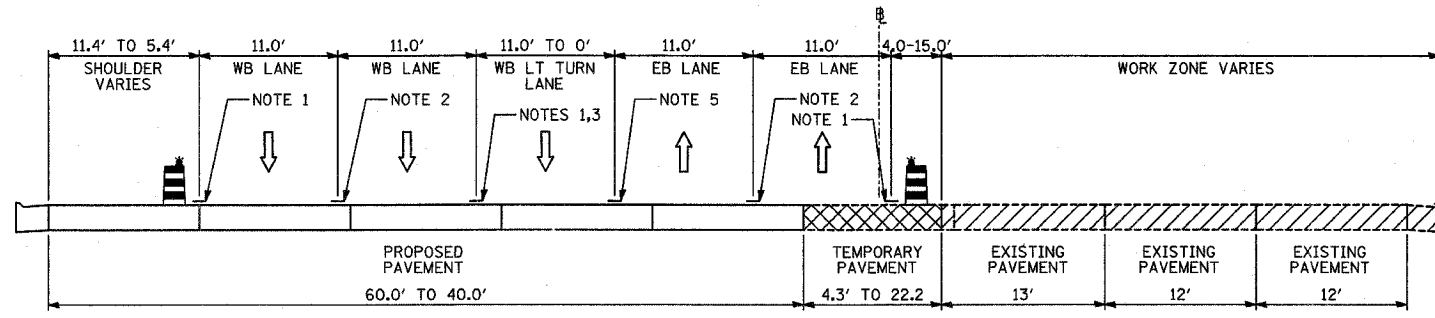
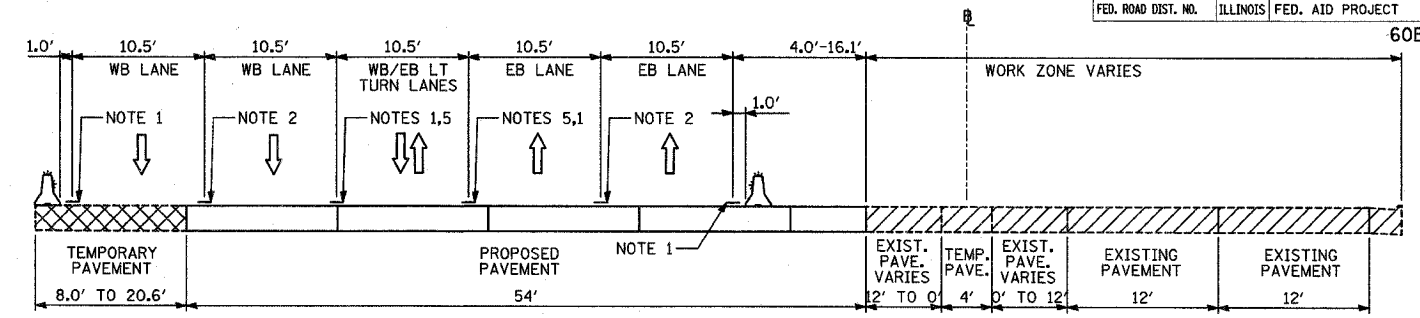


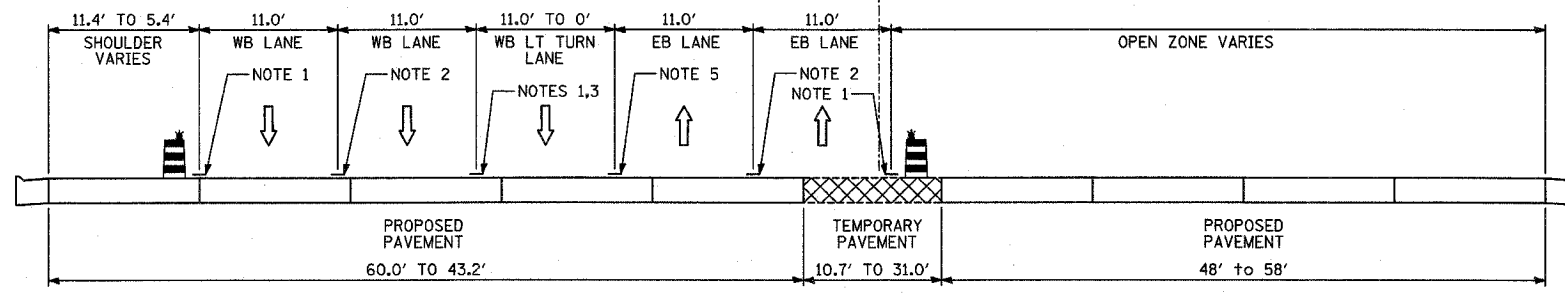
F.A.P. RTE.	SECTION	COUNTY	TOTAL SHEETS	SHEET NO.
335	119R-2	LAKE	439	79
STA. 432+83.12		TO STA. 470+56.84		
FED. ROAD DIST. NO.		ILLINOIS	FED. AID PROJECT	



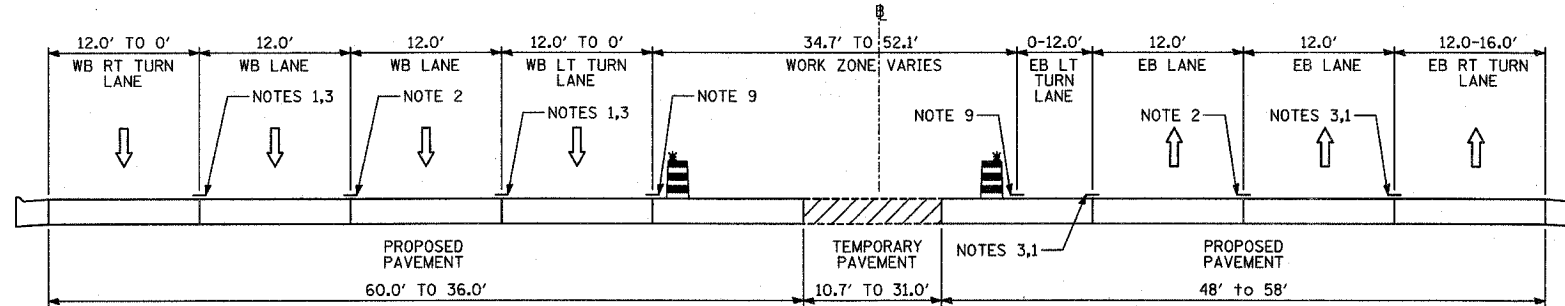
H-H  
STAGE 3: IL-60; STA. 434+93 TO STA. 439+48



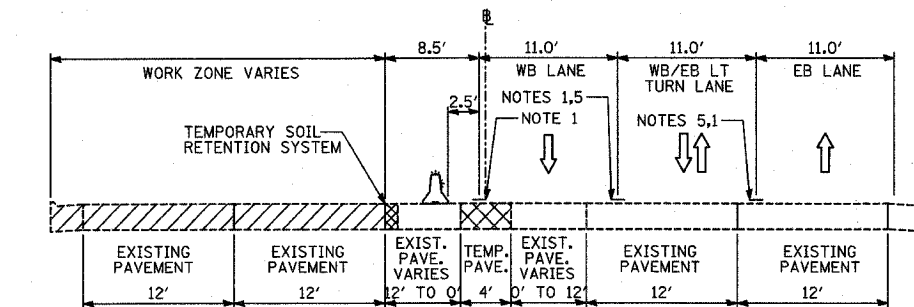
L-L  
STAGE 3: IL-60; STA. 441+54 TO STA. 449+30  
(BRIDGE OMISSION STA. 444+06 TO 447+02)



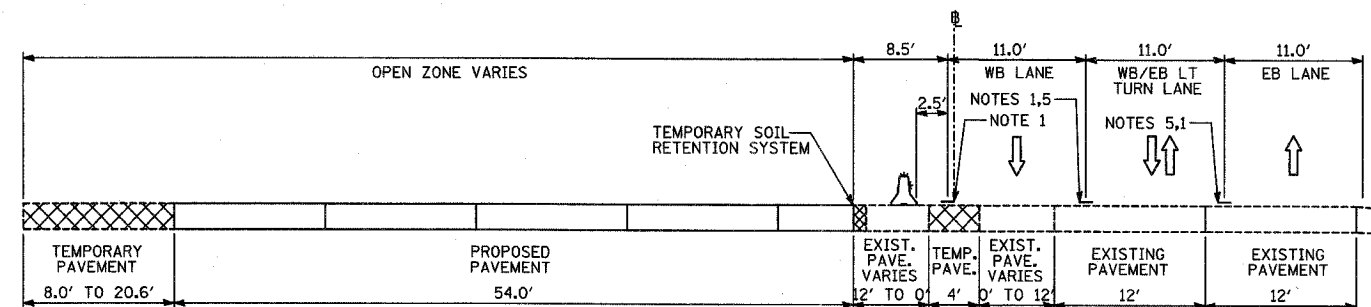
I-I  
STAGES 3A & 4: IL-60; STA. 434+93 TO STA. 439+48



J-J  
STAGE 5: IL-60; STA. 434+93 TO STA. 440+66



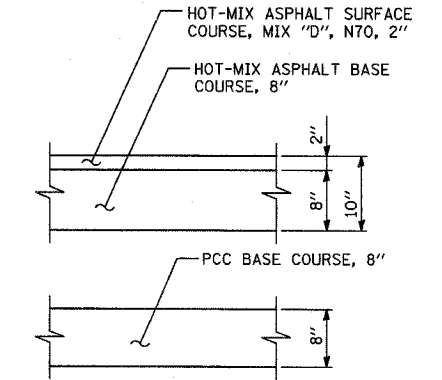
K-K  
STAGE 1: IL-60; STA. 441+54 TO STA. 449+30  
(BRIDGE OMISSION STA. 444+06 TO 447+02)



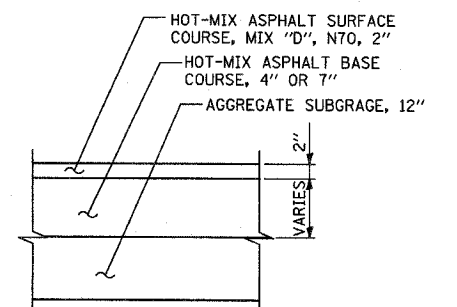
X-X  
STAGES 1A & 2: IL-60; STA. 441+54 TO STA. 449+30  
(BRIDGE OMISSION STA. 444+06 TO 447+02)

- NOTES:**
- 1 - TEMPORARY PAVEMENT MARKING-LINE 4" (SOLID WHITE)
  - 2 - TEMPORARY PAVEMENT MARKING-LINE 4" (10'-30' SKIP-DASH WHITE)
  - 3 - TEMPORARY PAVEMENT MARKING-LINE 4" (2'-6' SKIP-DASH WHITE)
  - 4 - TEMPORARY PAVEMENT MARKING-LINE 8" (SOLID WHITE)
  - 5 - TEMPORARY PAVEMENT MARKING-LINE 4" (SOLID DOUBLE YELLOW)
  - 6 - EXISTING PAVEMENT MARKING, (SOLID WHITE)
  - 7 - EXISTING PAVEMENT MARKING, (SKIP-DASH WHITE)
  - 8 - EXISTING PAVEMENT MARKING, (SOLID DOUBLE YELLOW)
  - 9 - TEMPORARY PAVEMENT MARKING-LINE 4" (SOLID YELLOW)
  - 10 - EXISTING PAVEMENT MARKING, (SOLID YELLOW)

- LEGEND:**
- TEMPORARY CONCRETE BARRIER (WITH REFLECTORS ON TOP AND SIDE FACING TRAFFIC)
  - TRAFFIC MOVEMENT
  - DRUM WITH MONO-DIRECTIONAL STEADY BURNING LIGHT
  - EXISTING BRIDGE PARAPET (WITH REFLECTORS ON TOP AND SIDE FACING TRAFFIC)
  - PAVEMENT REMOVAL AREA
  - TEMPORARY PAVEMENT



TEMPORARY PAVEMENT DETAILS:  
IDOT JURISDICTION  
(CONTRACTOR HAS THE OPTION OF USING HMA OR PCC SECTION FOR TEMPORARY PAVEMENT)



- 7" BASE COURSE OPTION:  
USED FOR TEMPORARY PAVEMENT REMAINING IN PLACE LONGER THAN 6 MONTHS.  
- SOUTH END OF NB I-94 EXIT RAMP
- 4" BASE COURSE OPTION:  
USED FOR TEMPORARY PAVEMENT REMAINING IN PLACE LESS THAN 6 MONTHS.  
- SOUTH END OF SB I-94 ENTRANCE RAMP  
- ALL LOCATIONS OF TEMPORARY PAVEMENT FOR TRAFFIC STAGING ALONG RAMPS.

TEMPORARY PAVEMENT DETAILS:  
ISTHA JURISDICTION

TYLIN INTERNATIONAL

REVISIONS	
NAME	DATE

ILLINOIS DEPARTMENT OF TRANSPORTATION  
ILLINOIS RTE 60 OVER I-94

MAINTENANCE OF TRAFFIC  
TYPICAL SECTIONS AND DETAILS  
SHEET 2 OF 7

SCALE: NO SCALE  
DATE: MAY 8, 2007

DRAWN BY: RTM  
CHECKED BY: MPG

05/02/2007 10:24:25 AM