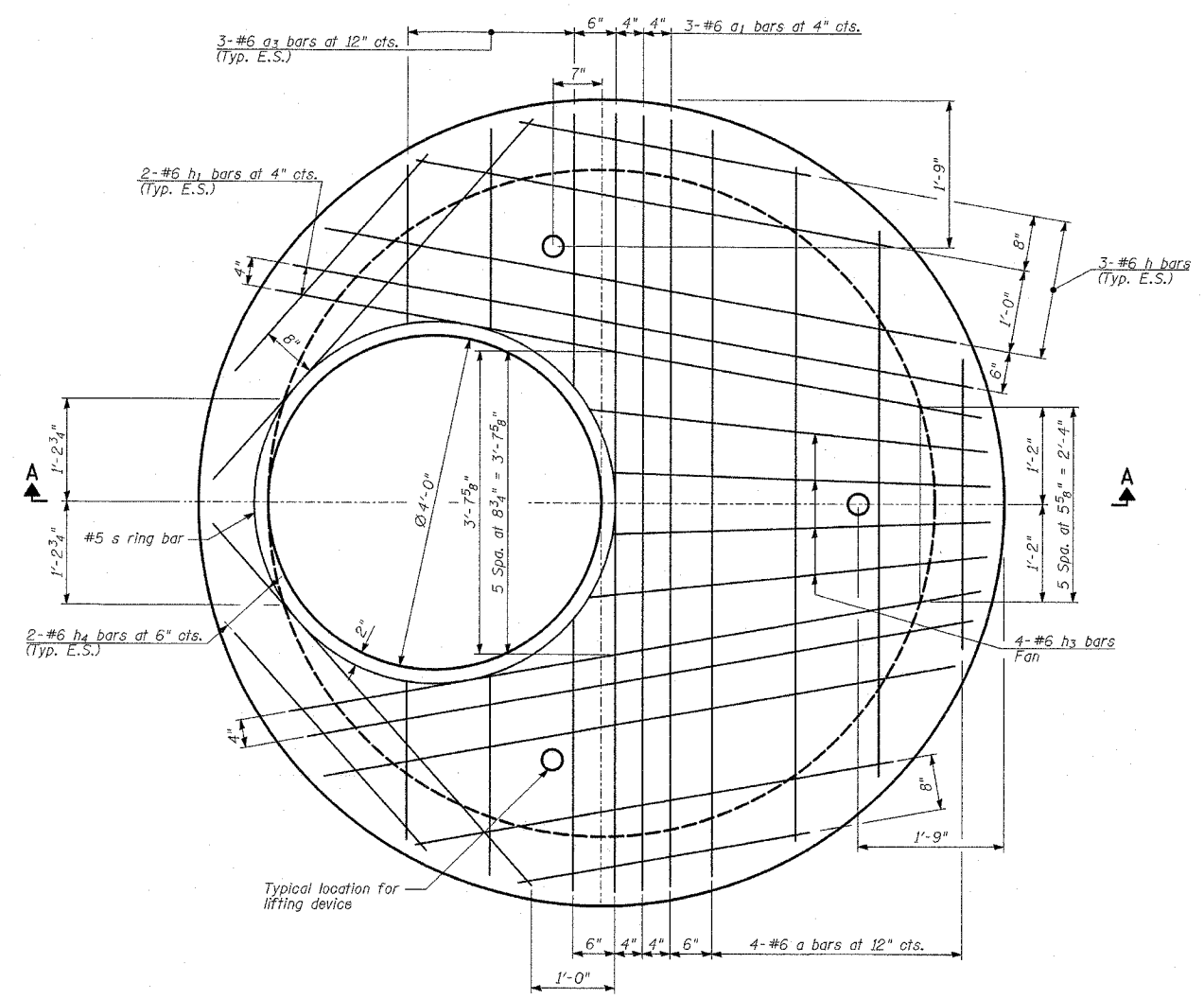
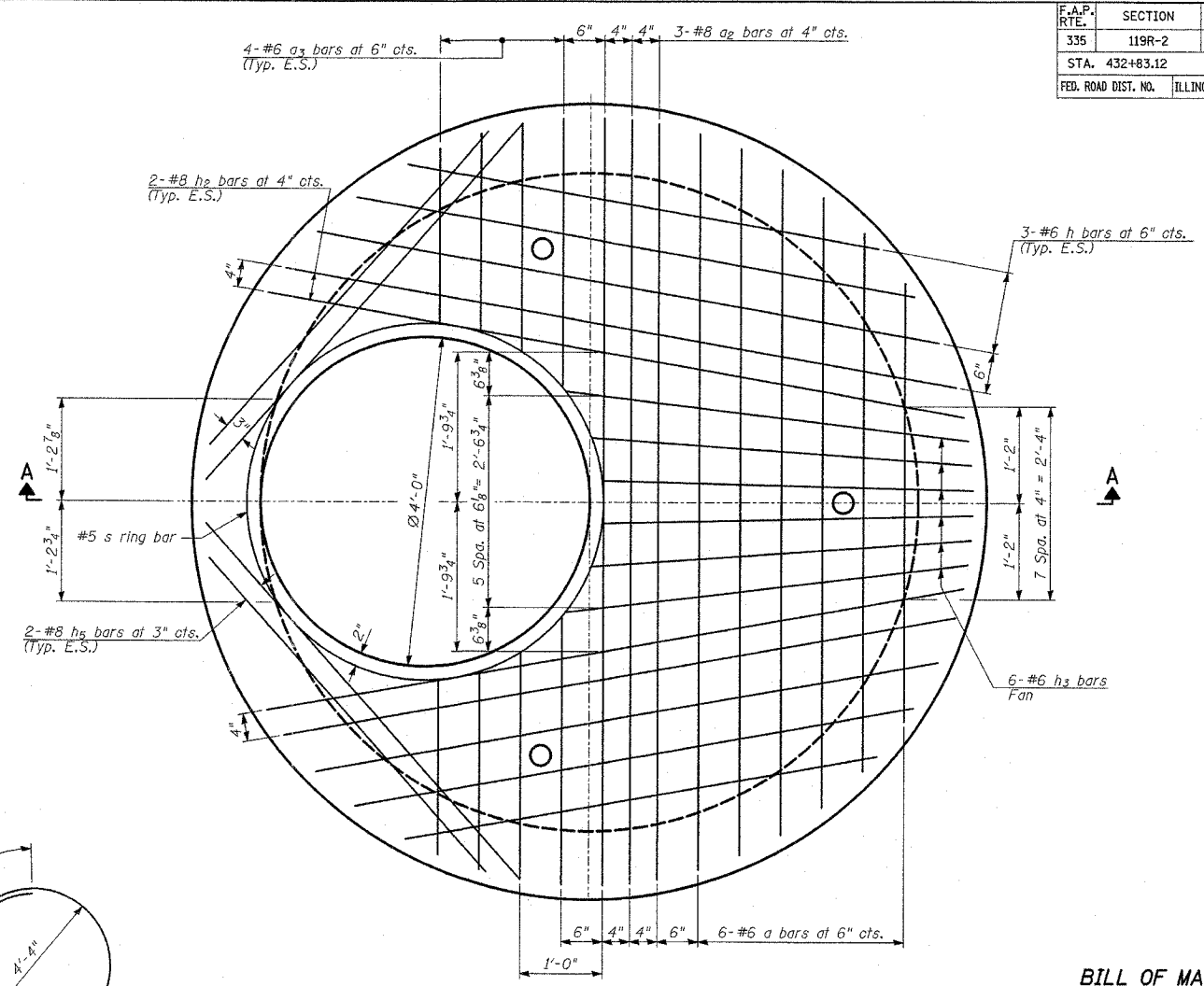


F.A.P. RTE.	SECTION	COUNTY	TOTAL SHEETS	SHEET NO.
335	119R-2	LAKE	439	156
STA. 432+83.12		TO STA. 470+56.84		
FED. ROAD DIST. NO.		ILLINOIS	FED. AID PROJECT	

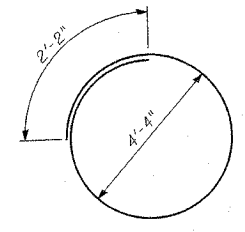
60B01



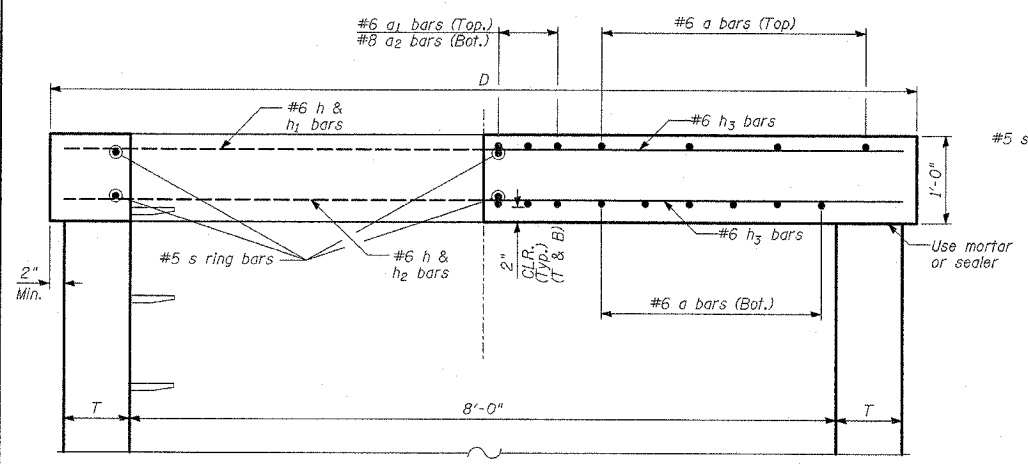
ROOF SLAB - PLAN
(Top Reinforcement Bars)



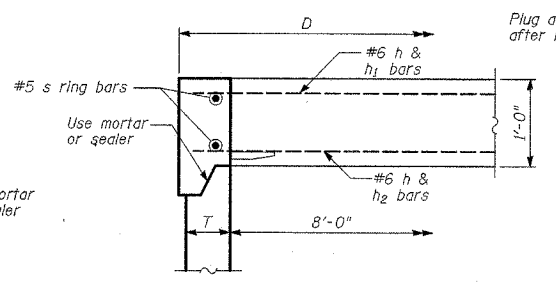
ROOF SLAB - PLAN
(Bottom Reinforcement Bars)



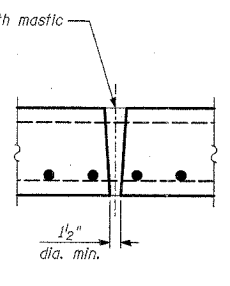
BAR s



SECTION A-A



ALTERNATE JOINT CONFIGURATION



LIFTING HOLE TYPICAL
(3 required per slab)

NOTES:

1. Bar lengths are based on a wall thickness "T" of 8". Any changes on wall thickness will require modifications to the bar lengths.
2. Bars to be cut as needed.
3. Precast flat slab top shall conform to articles 504.01 thru 504.08 of Standard Specifications except that the concrete strength shall be 3500 psi after 28 days. Reinforcement bars shall conform to the requirements of article 1006.10. Only Grade 60 reinforcement bars will be permitted.
4. Joint Configuration and dimensions of flat slab top shall match and fit the riser joint detail.
5. Lifting devices shall be approved by the Engineer.
6. Quantities for "Reinforcement Bars" and "Concrete Structures" are shown for constructibility purposes only and shall not be paid for separately.

BILL OF MATERIAL

Bar	No.	Size	Length	Shape
a	10	#6	8'-11"	—
a ₁	3	#6	9'-4"	—
a ₂	3	#8	9'-4"	—
a ₃	14	#6	3'-3"	—
h	12	#6	7'-8"	—
h ₁	4	#6	8'-7"	—
h ₂	4	#8	8'-7"	—
h ₃	10	#6	4'-11"	—
h ₄	4	#6	5'-10"	—
h ₅	4	#8	5'-10"	—
s	2	#5	15'-9"	○
Reinforcement Bars			POUND	810
Concrete Structures			CU. YARD	2.25

SHEET 2 OF 4

TYLIN INTERNATIONAL



Signed *Phillip D. Frey*
Phillip D. Frey, S.E., Ill. Lic. No. 081-004826
Expires 11-30-2008.
Date 5-08-07
For drawings 2 of 4

REVISIONS	
NAME	DATE

ILLINOIS DEPARTMENT OF TRANSPORTATION
ILLINOIS RTE 60 OVER I-94

**PRECAST REINFORCED CONCRETE
FLAT SLAB TOP - 8' DIAMETER**

S.N. DESIGNED BY: TD
SCALE: DRAWN BY: SNB
DATE: MAY 8, 2007 CHECKED BY: MI

05/07/2007 04:02:40 PM